



# SOUND BAR

## Installation Instructions

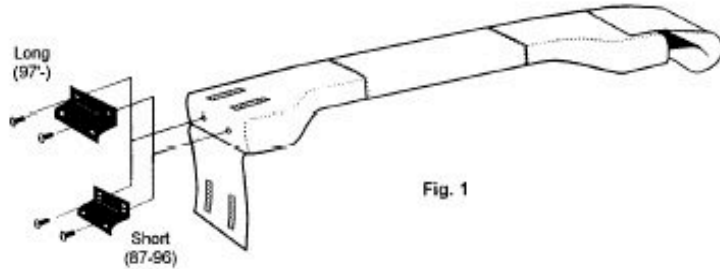
Page: 1 of 2

### Required Tools:

- \* Philips Screwdriver
- \* Drill Motor
- \* 5/16" drill bit

### Included:

- (2) Long mounting bracket (1997-2003 TJ)
- (2) Short mounting bracket (1987-1996 YJ)
- (4) M6-1.0 x 3/4 Screw/Bolt
- (4) 5/16" x 3/4" Sheet metal screw
- (4) 1/4" Flat washer
- (4) 1/4" Lock washer
- (1) Wire Harness – 10' Long



NOTE: The short bracket has 2 sets of holes to mount to the Sound Bar. These allow the height of the Sound Bar to be adjusted.

### Installation Instructions

1. Attach the required mounting bracket for your year vehicle with the MN6-1.0 x 3/4 screw and lock washer, as shown in **fig.1**.
2. Place the Sound Bar on the vehicle as shown in **fig. 2**. Mount as follows:

#### 1987-1996 YJ –Drilling may be required

**NOTE:** On some years there is at least one existing hole in the roll bar that can be used to mount the sound bar. Check under the roll bar padding before drilling holes. (If there are no existing holes)

- Use the holes in the mounting brackets as a guide, punch holes through the roll bar padding and drill 5/16" pilot holes in the roll bar.

Use the 5/16" x 3/4" sheet metal screws and flat washers to attach the sound bar to the roll bar.

#### 1997-2003 TJ – Minimal Drilling may be Required

Locate the factory mounting holes in the roll bar, punch holes through the roll bar padding and fasten the sound bar with the 5/16" x 3/4" screws and star washers.

See back page for wiring guidelines:

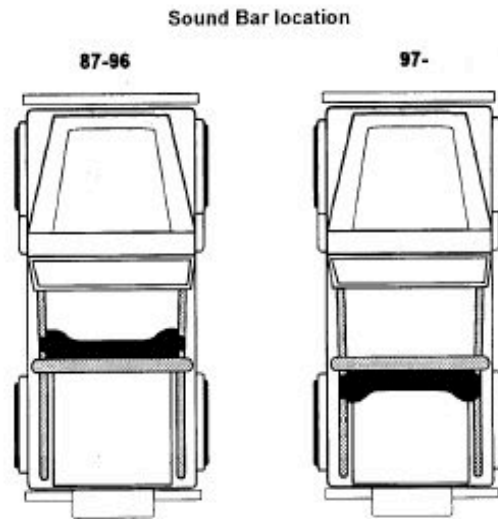


Fig. 2

# SOUND BAR – Instructions Continued

Page: 2 of 2 - Continued from Front:

3. Route the wire harness down the roll bar under the padding and forward along the floor under the carpet.
4. Locate the factory radio harness under the dash board and identify the left and right speaker wires, as well as the dome light power and a ground.
5. Splice in the external wire harness based on the following:

## For 1987-1996 YJ

### *Driver side speaker- Left*

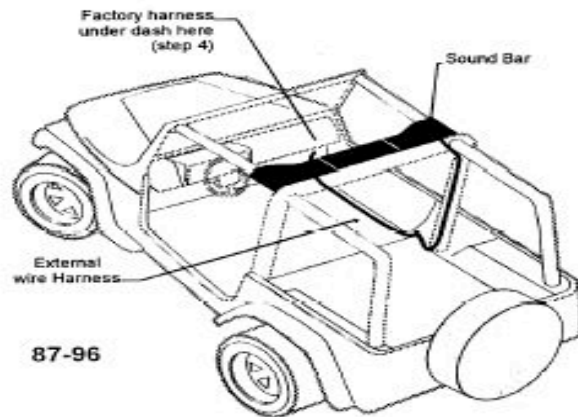
White / Red (+)  
White (-)

### *Passenger side speaker- Right*

Green / Red (+)  
Green (-)

### *Dome Light*

Red (+) Attach to the battery or Fuse  
Black (-) Attach to a good ground



## For 1997-2002 TJ

**Note:** When mounting Sound Bar on a TJ, speaker wire is opposite as labeled. (L is R & R is L) because it is mounted facing the rear on the roll bar.

### *Drivers side speaker- Left*

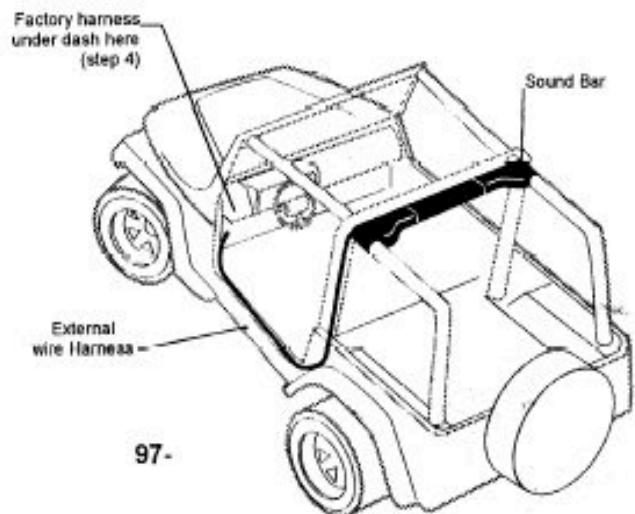
Green / Red (+)  
Green (-)

### *Passenger side speaker- Right*

White / Red (+)  
White (-)

### *Dome Light*

Red (+) Attach to the Battery or Fuse.  
Black (-) Attach to a good ground.



**REMOTE WIRE:** Is not used any longer.  
Please disregard this wire