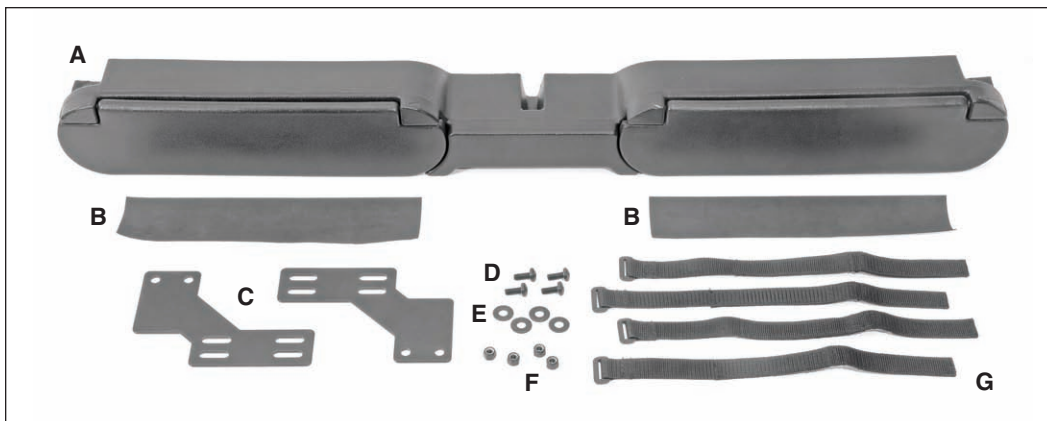


Overhead Sport Bar Storage Console by VDP

Installation Manual for '87-Current Wrangler YJ/TJ/JK

#14139.1110



⚠ WARNING ⚠

TO REDUCE RISK OF SERIOUS INJURY OR PROPERTY DAMAGE: READ ALL SAFETY MESSAGES AND UNDERSTAND ALL INSTRUCTIONS AND PROCEDURE NOTICES BEFORE ATTEMPTING TO INSTALL OR USE THIS PRODUCT.

⚠ CAUTION ⚠

RISK OF EYE INJURY! SAFETY GLASSES MUST BE WORN AT ALL TIMES WHILE INSTALLING OR MAINTAINING THIS PRODUCT.

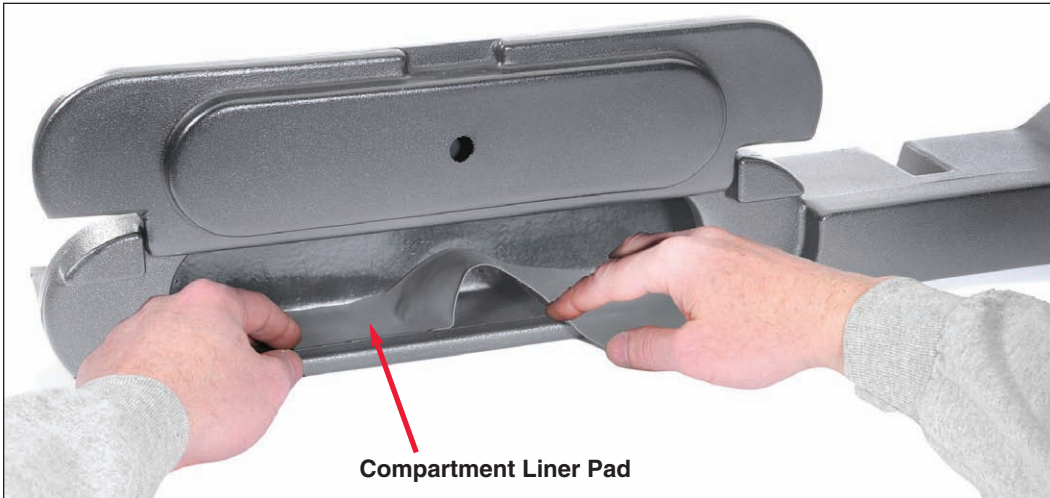
PARTS LIST:

- A. STORAGE CONSOLE ASSEMBLY - QTY 1
- B. COMPARTMENT LINER PADS - QTY 2
- C. MOUNTING BRACKETS SPORT BAR - QTY 2
- D. SCREW FOR MOUNTING BRACKETS - QTY 4
- E. FLAT WASHER - QTY 4
- F. 14.5" HOOK & LOOP STRAP - QTY 4
- G. 11" HOOK & LOOP STRAP - QTY 4

REQUIRED TOOLS:

- SAFETY GLASSES
- P3 PHILLIPS HEAD SCREWDRIVER
- 1/2" OPEN END WRENCH

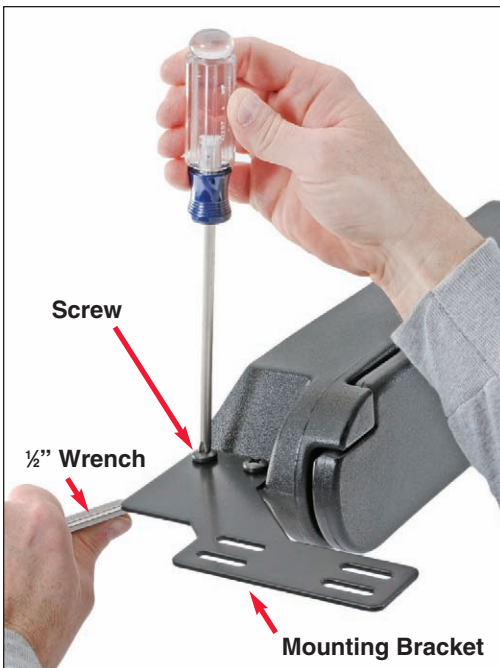
Overhead Storage Console Installation



STEP 1: INSTALL COMPARTMENT LINER PADS

Before you start, put on safety glasses. Test fit the Liner Pad by centering it on the compartment bottom floor. Then remove the wax paper backer to reveal

the adhesive and CAREFULLY place the pad into the desired position. Repeat for the opposite side.



STEP 2: AFFIX SPORT BAR MOUNTING BRACKETS

Position a mounting bracket to the storage console's driver side mounting flange as shown. Note the orientation of the bracket as it sits on top of the console's flange and not underneath it.

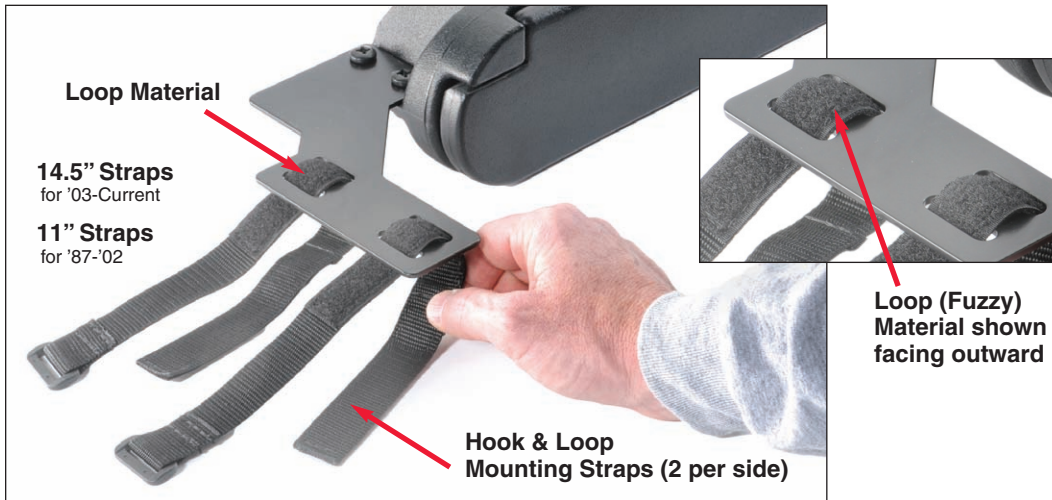
Insert a screw into each of the two fastener holes and secure from the underside using a flat washer followed by a lock nut for each.



Underside view

Repeat for opposite side of console. Be sure to tighten all 4 of the nuts.

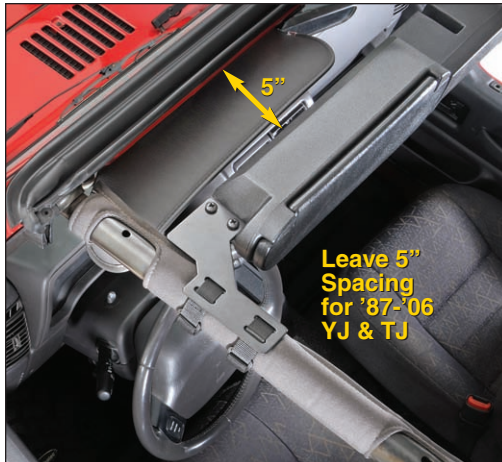
Overhead Storage Console Installation



STEP 3: AFFIX HOOK & LOOP STRAPS

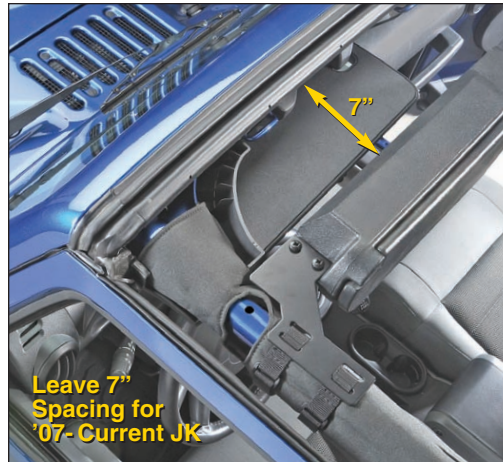
Install a mounting strap through the Sport Bar Mounting Bracket slots as shown. Use the 14.5" long straps for 2003-Current Wrangler TJ and JK sport bar applications.

The 11" long straps are used for 1987-02 YJ and TJ Wrangler applications. Be sure to have the Hook & Loop Materials facing the outside as shown. Install two straps per side.



STEP 4: POSITION THE CONSOLE

For '87-'06 Wrangler YJ & TJ models, install the Console at least 5" away from the windshield frame's interior edge to allow complete operation of sun-visors and top latches.



For '07-current JK models, the Console should be placed approximately 7" away from the windshield frame's interior edge to allow complete operation of sun-visors and top latches.

Overhead Storage Console Installation



STEP 5: INSTALL CONSOLE

Positioned the correct distance away for your vehicle's windshield frame, place the completed Console assembly onto the tops of the sport bars as shown.

Note: For JK hardtop applications, it is

necessary to temporarily remove the Freedom Panels to install the Overhead Console. For TJ and JK soft top applications, the removal of door surrounds will simplify the installation.

*A cooperation by VDP and Quadratic Inc.
This product subject to VDP Warranty Terms.*

*©Quadratic, Inc. 2013. All Rights Reserved.
Instructions Part #12999.9015*