

## GOBI JEEP JL SKY ONE ROOF RACK INSERT GEN2

### INSTALLATION INSTRUCTIONS

#### Guidelines:

When using Load Carriers and Accessories, the user must understand the precautions. The points listed below will assist you in using the rack /carrier system and will encourage safety.

- For quality fits and safty, use only the recommended rack or accessory. Do not assume an accessory will fit, always check with dealer when obtaining new accessories. Use only approved accessories on load carriers. Using other brands will void your warrenty.
- Make sure all knobs, bolts, screws, straps, and locks are firmly attached, tightened and locked before every trip. Knobs, bolts, screws, straps, and locks must be periodically inspected for signs of wear, corrosion, and fatigue. Check your load at stops during the trip to insure continued fastening security.
- Check local and state laws governing projection of objects beyound the width of a vehicle. **Be aware of the width and height of your cargo since low clearance branches, bridges, and parking garages can affect the load** All cargo will affect the vehicle's driving behavior. Never drive with any lock, know, or rack in an open or unlocked position. All long loads such as, but not limited to sailboards, surfboards, kayaks, canoes, and lumber must be tied down front and rear to the bumpers or tow hooks, of the vehicle.
- Remove your rack accessories when they are not in use, before intering car washes, prior to taking in your vehicle for service, and whenever clearance may be an issue.
- All locks must be turned and moved periodically to insure smooth operation. Use graphite or similar dry lubricant to help this. Locks are designed to deter vandalism and theft. Remove valuable gear if your vehicle is unattended for an extended period. Place at least one key in the glove compartment.
- For safety to your vehicle and rack system, obey all posted speed limits and traffic cautions. Adapt your speed to the conditions of the road and the load being carried.
- Do not use load carriers and accessories for purposes other than those for which they were designed. Do not exceed their carrying capacity.
- Consult with your dealer if you have any questions regarding the operations and limits of this product. Review all instructions carefully.

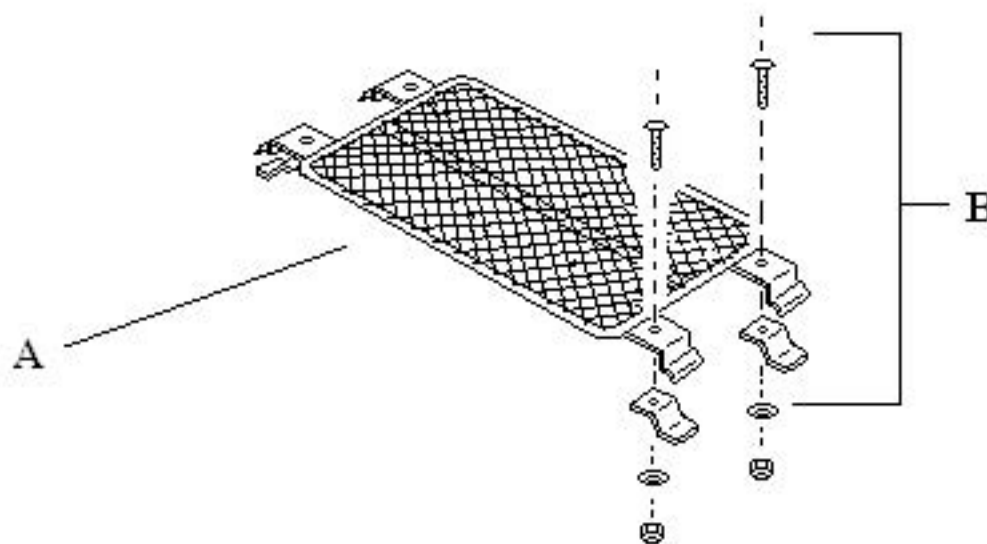
**USE ANTI-SEIZE LUBRICANT ON ALL SCREWS PRIOR TO INSTALLATION**

# GOBI JEEP JL SKY ONE ROOF RACK INSERT GEN2

## INSTALLATION INSTRUCTIONS

### Included in kit

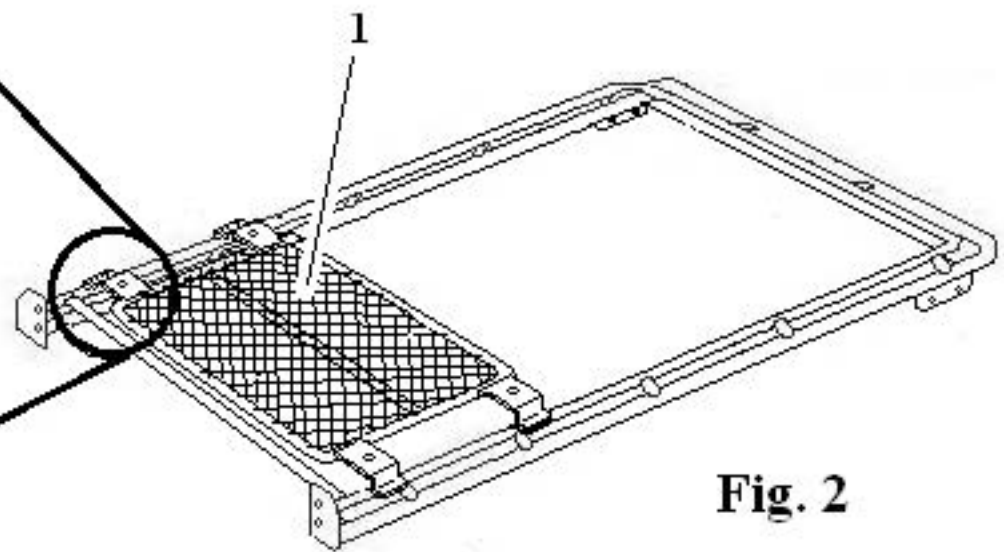
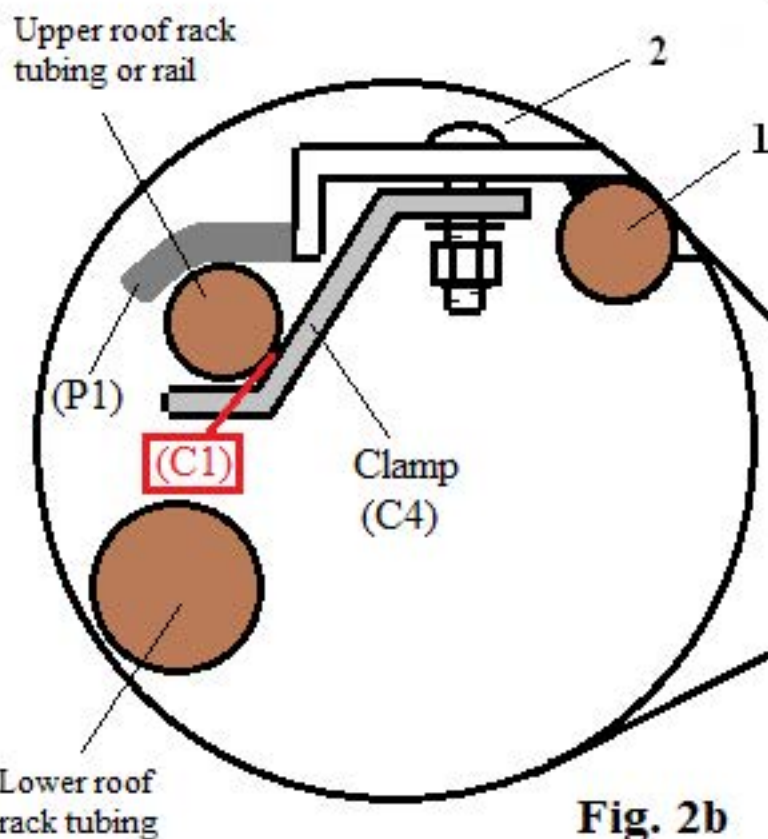
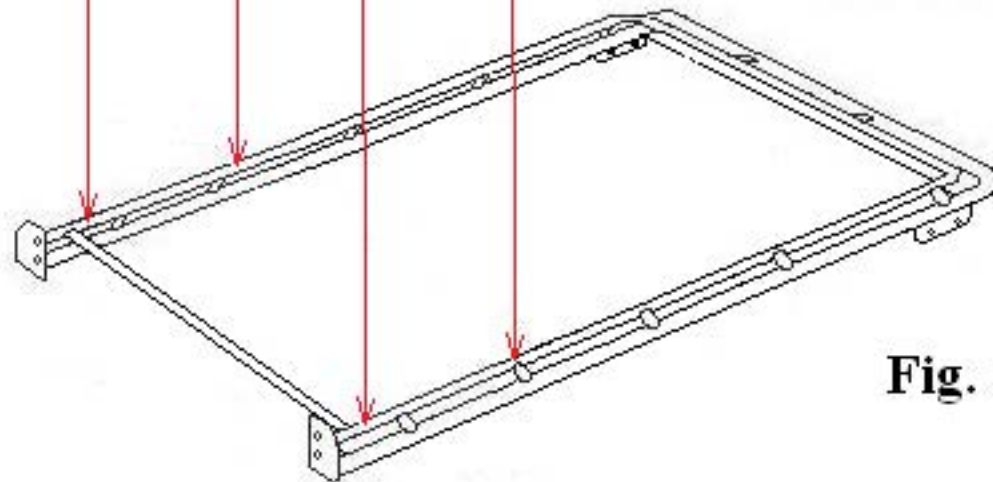
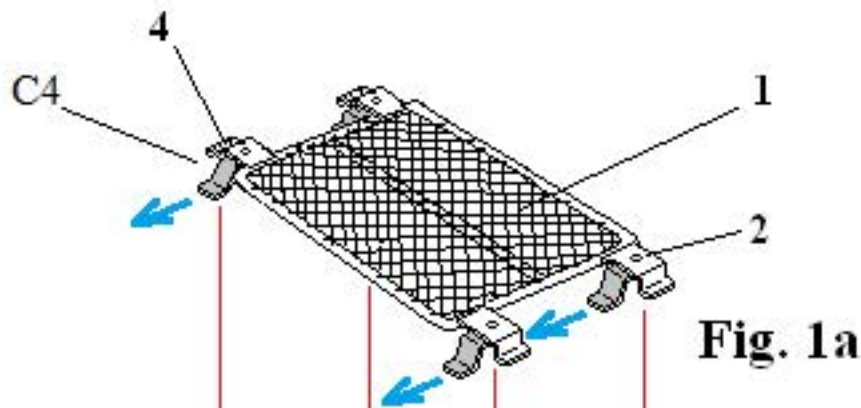
Letter	Description	Location	Quantity
A	GOBI JEEP JL SKY 1 ROOF RACK ROOF INSERT	Main box	1
B	GOBI INSERT HARDWARE CONTENTS: 4- 3/8 x 1-1/4" SS Carriage screws 4- 3/8" SS Flat washers 4- 3/8" Nylock nuts 4- Steel clamps	Pre-assembled to Insert	1



**"CAUTION"** When securing cargo to the JL roof rack insert make certain that cargo straps are tied to the roof rack **ONLY** and not the JL insert alone. This will ensure stability and security of the Gobi JL roof rack insert and cargo from accidental movement or dislodging

## GOBI JEEP JL SKY ONE ROOF RACK INSERT GEN2

### INSTALLATION INSTRUCTIONS



## GOBI JEEP JL SKY ONE ROOF RACK INSERT GEN2

### INSTALLATION INSTRUCTIONS

#### Installation instructions:

- 1- Using the hardware list on page 2, check to verify that all hardware is present prior to installation.
- 2- Refer to page 3 Fig. 1a, loosen all 4 clamp brackets (C4) using a 9/16" ratchet or boxed end wrench and position the clamps in the direction of the blue arrows. Leave clamp screws finger tight at this time.
- 3- Place sun roof insert (1) shown in Fig. 1a onto the top roof rack rails as shown in Fig. 1 and Fig. 2 at any position along the length of the roof rack. *"Caution" use the help of a second person should the insert feel too heavy to maneuver in place.* Make certain that all 4 black pads (P1) of the insert as shown in Fig. 2b are positioned over the top rail of the roof rack.
- 4- Turn and position each clamp (C4) under the top roof rack rail as shown in Fig. 2b. Make certain to snug down only at this time, all 4 clamps (C4) very close or contacting rail (C1) as shown in Fig. 2b prior to fully tightening all 4 clamps (C4). Fully tighten all 4 clamps (C4) in place.
- 5- Installation completed.
- 6- Check from time to time each Gobi JL insert clamp (C4) to make certain it is fully tightened in place to prevent any potential of dislodging of the insert during transport, causing damage to rack or vehicle.

#### CAUTION:

**"CAUTION"** When securing cargo to the JL roof rack insert make certain that cargo straps are tied to the roof rack **ONLY** and not the JL insert alone. This will ensure stability and security of the Gobi JL roof rack insert and cargo from accidental movement or dislodging