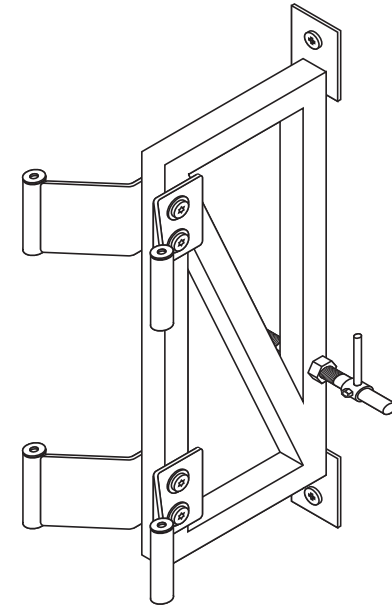
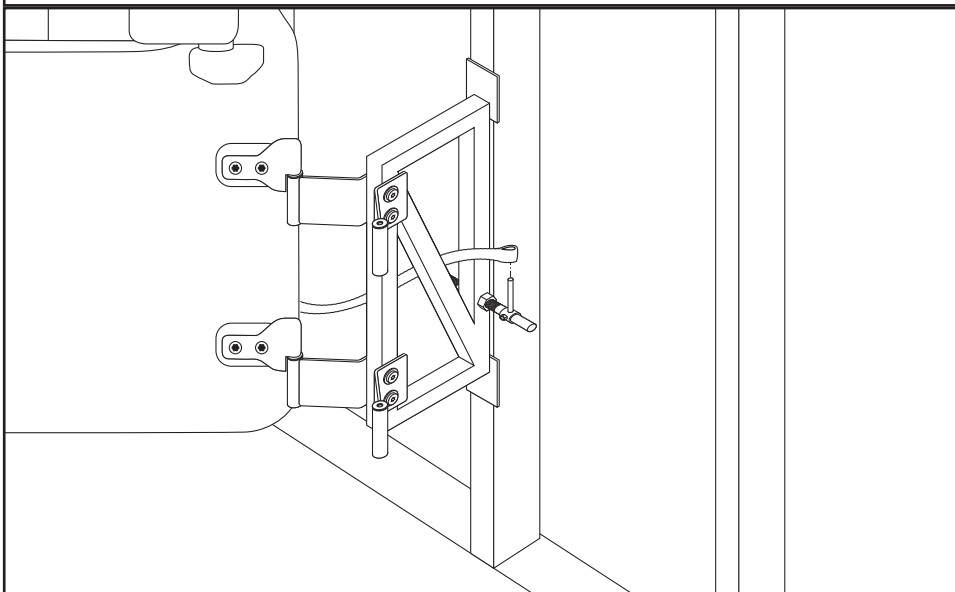


- 5** ENSURE BRACKET IS SECURED. LOCATE THE INSERT THAT WILL FIT YOUR JEEP AND INSTALL INTO THE DOOR BRACKET. CAREFULLY LIFT THE JEEP DOOR AND INSERT DOOR HINGE PINS INTO THE INSERT AS SHOWN. THE LOWER BRACKET HAS SLOTTED HOLES FOR ADJUSTMENT FOR DIFFERENT PIN LOCATIONS. LIFT THE BRACKET UNTIL IT FULLY SEATS DOOR PIN AND TIGHTEN BOLTS FOR LOWER DOOR SUPPORT.



- 6** ADJUST THE DOOR STRAP RETAINER VIA THE ADJUSTABLE PEG FOR DOOR RETENTION. WEAVE STRAP AS SHOWN AND ELIMINATE SLACK. REPEAT FOR THE REMAINING DOOR. PROPER ADJUSTMENT PREVENTS DOOR FROM SWINGING OUTWARD.



DOOR HOLDER BRACKET FOR JEEP WRANGLER

FOR JEEP WRANGLER, YJ, TJ, JK, AND JL WITH ORIGINAL EQUIPMENT DOORS.

CAREFULLY READ ALL INSTRUCTIONS BEFORE PROCEEDING WITH ASSEMBLY/USE. THIS PRODUCT IS DESIGNED TO BE MOUNTED TO A WALL THAT HAS STUDS SPACED 16" ON CENTER. DUE TO DIFFERENCES IN BUILDING MATERIALS, MOUNTING HARDWARE IS NOT SUPPLIED. FAILURE TO SECURE PRODUCT TO STUDS CAN RESULT IN DAMAGE TO PRODUCT, PROPERTY, OR SERIOUS INJURY.

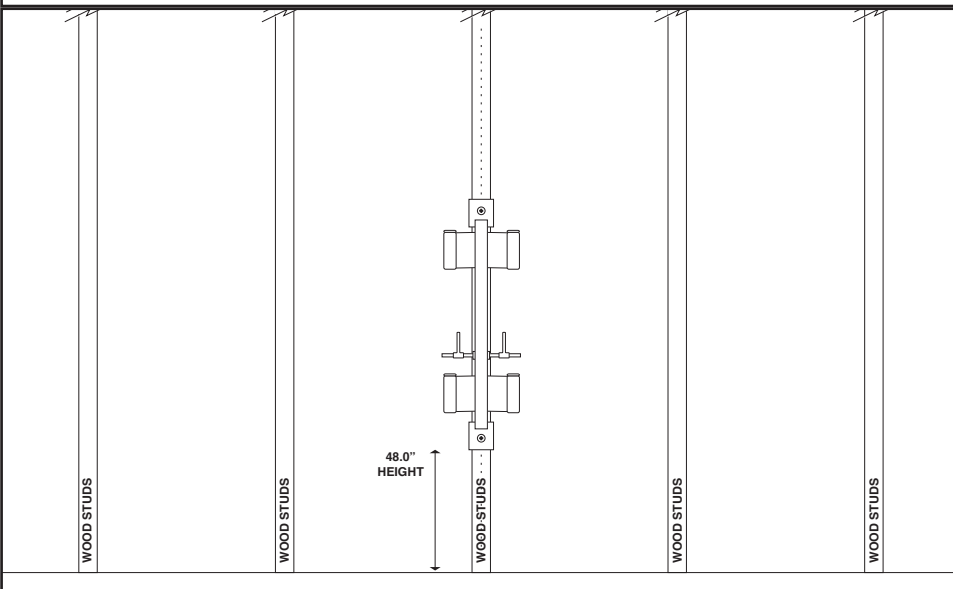


SURCO
PRODUCTS, INC.

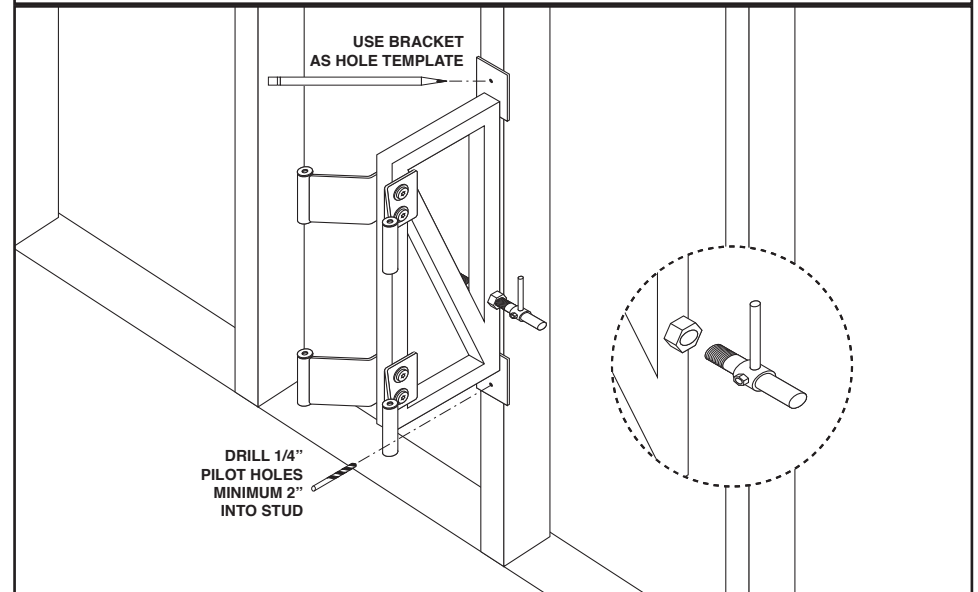
- 1** ASSEMBLE THE BRACKET AND BRACKET DOOR SUPPORTS WITH THE PROVIDED BOLTS, WASHERS, AND NUTS. THE LOWER BRACKET SUPPORTS SHOULD BE INSTALLED WITH THE LONG SLOTTED HOLES FOR DOOR SIZE ADJUSTMENTS DEPENDING ON JEEP MODEL.



- 2** USING A STUD FINDER, LOCATE THE STUDS ON YOUR INSTALLATION WALL. THE DOOR HOLDER BRACKET SHOULD BE MOUNTED AT LEAST 48" FROM FLOOR. AS SHOWN, THE NUT RETAINERS WELDED ONTO THE FRAME SHOULD BE POSITIONED TOWARDS THE BOTTOM.



- 3** POSITION/ MARK THE MOUNTING POSITION. USE THE BRACKET FOR REFERENCE AND DRILL 1/4" PILOT HOLES IN EACH STUD CENTER. PILOT HOLES SHOULD BE AT LEAST 2" INTO THE STUD. ASSEMBLE AND INSTALL THE DOOR STRAP RETAINERS BY SCREWING INTO NUT RETAINERS.



- 4** DETERMINE THE PROPER LENGTH 5/16" LAG BOLTS FOR YOUR APPLICATION. BOLTS MUST BE EMBEDDED AT LEAST 2" INTO STUD. USING 5/16" LAG BOLTS AND 5/16" FLAT WASHERS, ATTACH THE DOOR HOLDER BRACKET TO THE WALL. TIGHTEN THE UPPER DOOR SUPPORTS FULLY.

