

BOLT®

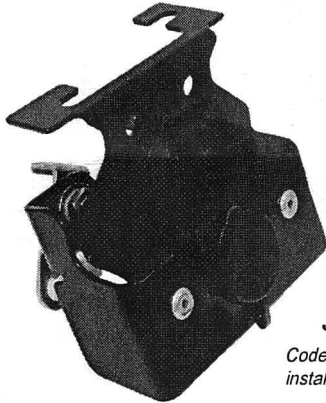
BREAKTHROUGH ONE-KEY LOCK TECHNOLOGY

JL HOOD LOCK KIT

FOR SPANISH AND FRENCH TRANSLATIONS GO TO:
[HTTP://WWW.BOLTLOCK.COM/ABOUT-STRATTEC/BOLT-LITERATURE](http://www.boltlock.com/about-strattec/bolt-literature)

LOS TRADUCTORES AL ESPAÑOL Y FRANCÉS PUEDEN VISITAR:
[HTTP://WWW.BOLTLOCK.COM/ABOUT-STRATTEC/BOLT-LITERATURE](http://www.boltlock.com/about-strattec/bolt-literature)

POUR LES TRADUCTIONS EN ESPAGNOL ET EN FRANÇAIS, ALLEZ À :
[HTTP://WWW.BOLTLOCK.COM/ABOUT-STRATTEC/BOLT-LITERATURE](http://www.boltlock.com/about-strattec/bolt-literature)



JL Hood Lock

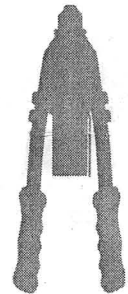
Code lock cylinder before
installing JL Hood Lock in Jeep



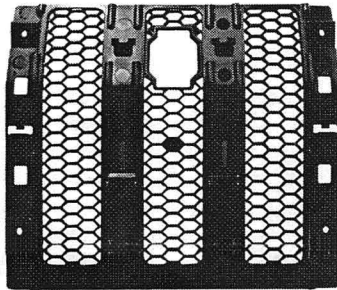
Torx T20
Screwdriver



Flathead
Screwdriver

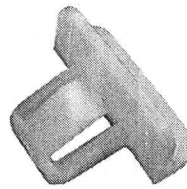


Rivet Gun



JL Grille Insert

2X



Plastic Clip

6X



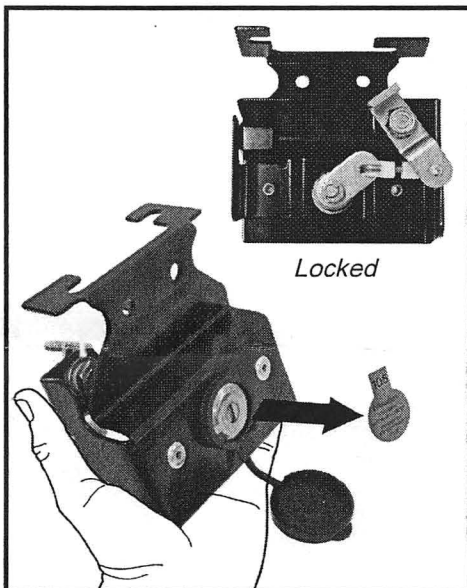
Plastic
Push Pins

4X

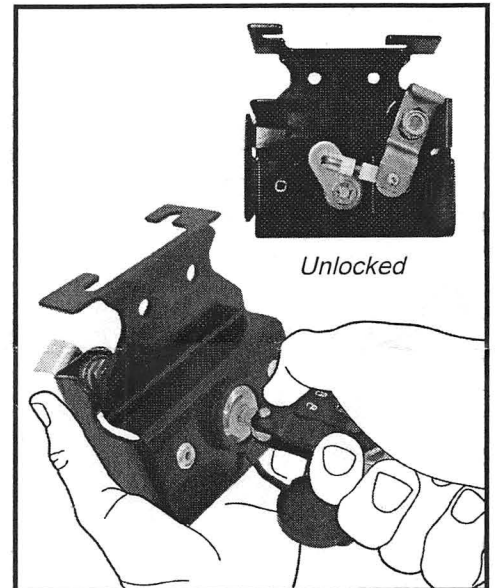
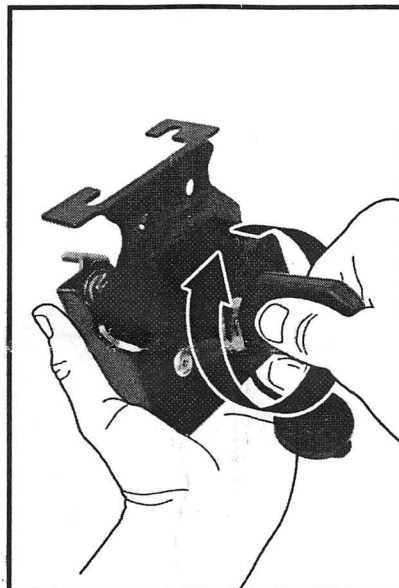


1/4" Rivets

Instructions for BOLT® Lock coding



Locked



Unlocked

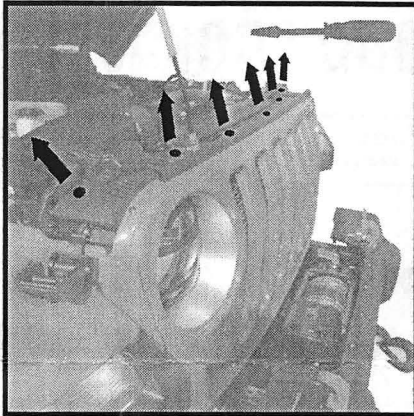
1. Read and remove warning sticker
- remove key from key chain - keep
hand/fingers away from pivoting lever
while coding.

2. **Do not pull up/down on key
while coding**
While maintaining full key insertion,
turn the key clockwise until it stops
- the lock is now coded to your key!

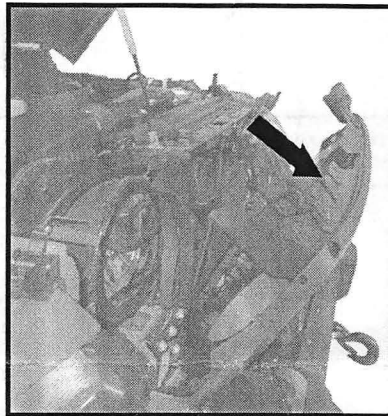
3. Cycle lock 3x to ensure that the lock
was properly coded. Rotate clockwise,
remove key; the lock is now in the
unlocked position - keep lock in this
state during installation.

4737932AA

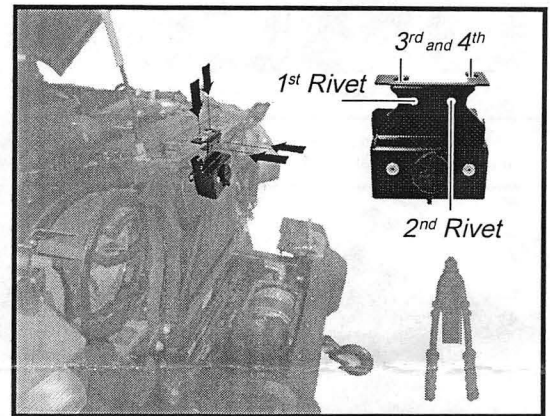
BOLT® Lock installation



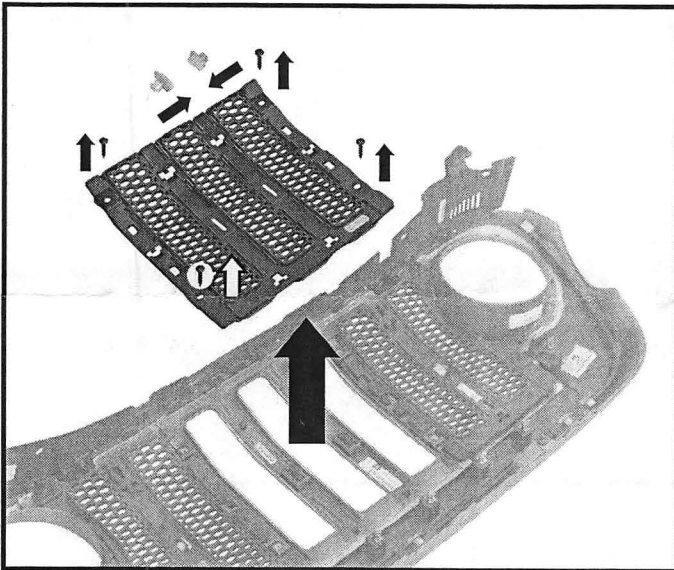
4. **STOP** - Code lock cylinder before installing JL Hood Lock in Jeep. Open hood; using a flat head screwdriver, remove the 6 plastic push pins from the top of the grille.



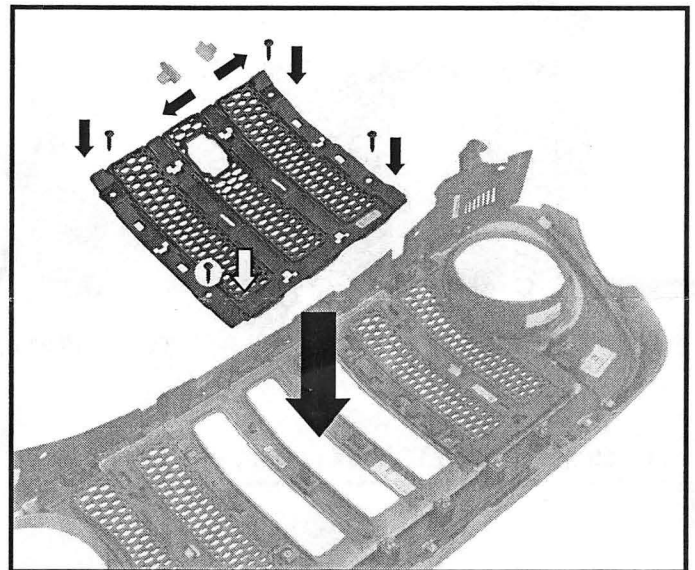
5. Pull grille forward and downward to unhinge the snaps along the bottom.



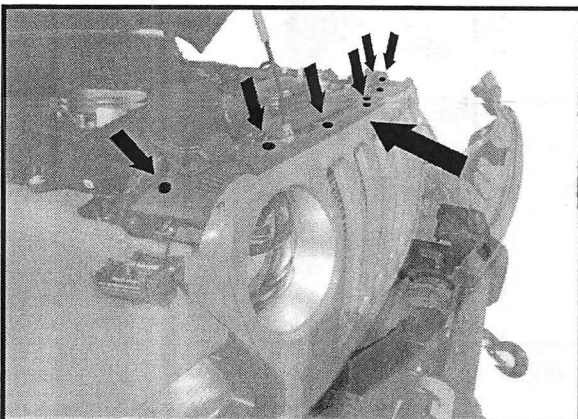
6. Line up the mounting holes in JL Hood Lock with existing holes on the vehicle frame - using the rivet gun, install the 4 rivets in place per sequence above. Close and open the hood to verify install before assembling grille.



7. Lay the grille down on a protected surface (cardboard) with the interior facing up. Using a torx screw driver, remove the 4 screws and 2 plastic clips, and remove the middle section of the Grille Insert.



8. Position the new Grille Insert in place and secure using the same 4 screws and 2 plastic clips (included).



9. Position the grille back into place using 6 new push pins provided.



10. Close and latch hood shut, insert key, turn counter clockwise to lock the hood, and remove your key.