



Installation Instructions Trektop Trail Cover

Vehicle Application:
Jeep® Wrangler JK & JL Unlimited with Trektop or no top installed
Part Number 81043

Installation Tips


Before you begin installing your new Trektop Trail Cover, please read all the instructions thoroughly. It is normal for the fabric to contract and wrinkle when stored in the shipping carton. Within a few days after the installation, The fabric will relax and the wrinkles will disappear.


Note: This cover should be installed on a vehicle without a complete top in place or with a Bestop Trektop installed. This cover can also be used with a Duster cover and a Bikini Top installed. The straps are designed to fit the "stock" model vehicle and may not latch to various step and rocker guards added to the vehicle.



WEAR SEAT BELTS AT ALL TIMES

WARNING This product is designed primarily to protect the interior of the vehicle from ordinary weather conditions. Please note that during prolonged exposure to heavy rain or snow, Some seam leakage may occur. Please plan accordingly. This product will not protect the vehicle from falling objects. Never operate the vehicle with this product installed. The Trail Cover is not made to cover the vehicle while the vehicle is tow.

Installation Time
 15 minutes
Skill Level
1 2 3 4 1 - Easy

Tools
 Safety Glasses

Support
We're here to help! Go to www.Bestop.com and click on "Contact Us"



Installation Instructions Trektop Trail Cover

Vehicle Application:
Jeep® Wrangler JK & JL Unlimited with Trektop or no top installed
Part Number 81043

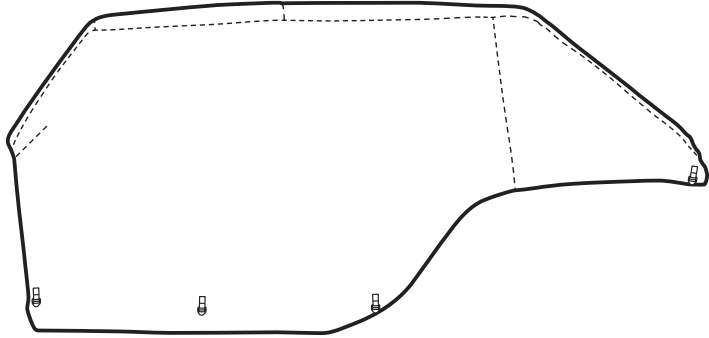
Parts List

- Required parts for installation

All Sections

Trektop Trail Cover; Attachment Straps

All Pages



Trektop Trail Cover
Qty. 1

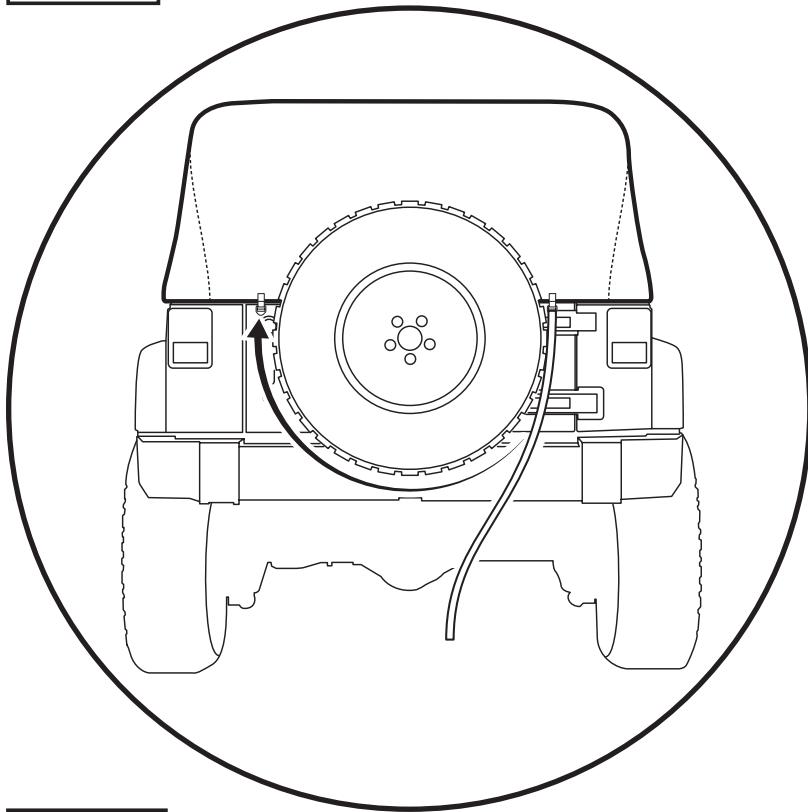


Stuff Sack
Qty. 1
Part # 604.01



32" Attachment Straps
Qty. 8
Part # 592.26

Step 1



Step 1

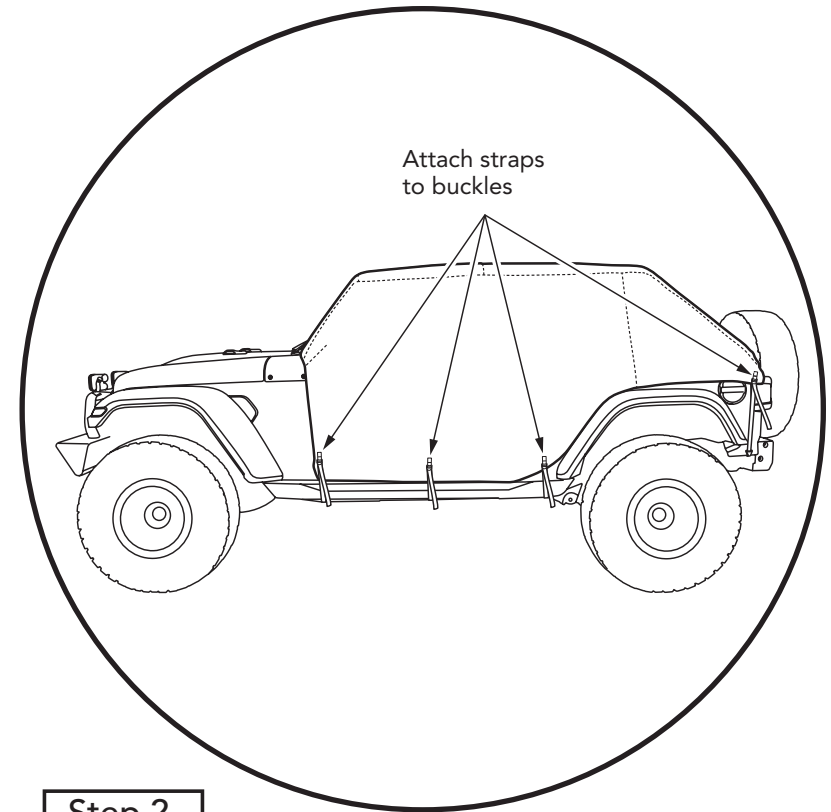
NOTE: Fold side mirrors in before starting installation of the cover.

Pull the cover over the top of the Jeep, from the back to the front. Line up the front edge of the cover with the bottom of the windshield.

Start at the rear of the Jeep, and wrap the attached long strap on the passenger side under the spare tire carrier and attach the loose end to the buckle on the driver side.

Loosely snug the strap tight at this time.

Step 2



Step 2

Attach the straps to the buckles on the bottom edge of the cover.

Attach the hook at the end of each strap to the Jeep body pinch weld along the bottom edge of the rocker panels on each side - or to another suitable point if the pinch weld is covered.

Start at the rear, and loosely snug the straps, alternating sides of the vehicle as you work forward. When all straps are attached and loosely snug, you can firmly snug all straps, in the same order as before.

Place the windshield wiper blades on top of the cover at the front.



Warranty Information Trektop Trail Cover

Vehicle Application:
Jeep® Wrangler JK & JL Unlimited with Trektop or no top installed
Part Number 81043

WHAT BESTOP WARRANTS

Subject to the terms and conditions of sale, including any terms and conditions set forth by Bestop, Inc. ("Bestop" or "us" or "we") in our then-current terms of sale on our website (collectively, the "Terms"), Bestop represents and warrants that: the covered products listed in the "Covered Products and Warranty Periods" section (a "Product") will substantially be free from defects in materials and workmanship for the specified warranty periods set forth in that section.

THE WARRANTY IS LIMITED AND CONDITIONAL

This warranty applies to the original purchaser of the Product only. The warranty is valid only as long as the original retail purchaser owns the vehicle upon which the Product is installed. The warranty expires should the Product be removed from the original vehicle or if the original vehicle is transferred to another owner.

This warranty is not transferable or assignable. The warranty does not apply to Product bought from auction-style or price-bid websites.

THE LIMITED WARRANTY AND STATED REMEDIES ARE SOLE AND EXCLUSIVE AND IN LIEU OF ALL OTHER WARRANTIES AND REMEDIES, AND COMPANY EXPRESSLY DISCLAIMS ALL IMPLIED OR STATUTORY OR OTHER WARRANTIES, INCLUDING WITHOUT LIMITATIONS WARRANTIES OF MERCHANTABILITY, NON-INFRINGEMENT OR FITNESS FOR A PARTICULAR PURPOSE. IN NO EVENT WILL COMPANY BE LIABLE FOR ANY SPECIAL, INCIDENTAL, CONSEQUENTIAL, PUNITIVE, INDIRECT OR EXEMPLARY DAMAGES OF ANY KIND, INCLUDING LOST PROFITS OR REVENUE, HOWEVER CAUSED, WHETHER FOR BREACH OR REPUDIATION OF CONTRACT, TORT, BREACH OF WARRANTY, NEGLIGENCE, OR OTHERWISE, WHETHER OR NOT COMPANY WAS ADVISED OF THE POSSIBILITY OF SUCH LOSS OR DAMAGES.

Some states do not allow exclusion or limitation, so this may not apply to you. This warranty gives you specific legal rights, and you may have other rights which vary from state to state.

EXCLUSIONS TO THE WARRANTY

The Limited Warranty excludes, and Bestop is not liable in any way for any warranty claims, damages, or defects related to:

- Misuse, abuse, accidents, vandalism, negligence, fire, or improper installation or modification, or improper or inadequate maintenance;
- Failure to comply with any Product documentation, Bestop instructions, or applicable law or regulations; use in extreme conditions
- Force Majeure including but not limited to, earthquake, hurricane, tornado, flooding, or other disasters natural or man-made, civil unrest, strikes, declared or undeclared war, or lack of performance by, or discontinued product of, supply chain partners whose products, software, operations or management is beyond the control of Bestop;
- Damage resulting in breakage (including without limitation, spontaneous breakage, accidental breakage or breakage by any other means) of a Product or any component part;
- Damage to vinyl windows due to misuse, or cracking due to varying weather conditions.

YOUR SOLE REMEDY

During the applicable warranty period, Bestop shall, at its option, either repair or replace any Product that it confirms, in its discretion, is non-compliant with the warranties herein. Bestop will not pay for labor charges associated with installation or removal of the Product. Should a specific Product be discontinued, Bestop may, at its option, replace the discontinued Product with a current product or like product.

Please retain your proof of purchase. Original proof of purchase for the Product must accompany any warranty claim. If you have a warranty claim, first you must email Bestop Customer Service at csbestop@bestop.com for instructions. All claims must be emailed to csbestop@bestop.com within 30 days of discovery of a defective Product, but in no event later than thirty days after the end of the applicable Warranty Period (the "Warranty Notice Period"). Warranty claims made after the Warranty Notice Period are null and void and Bestop shall have no responsibility with respect to such claims.

THIS SECTION SETS FORTH BESTOP'S SOLE OBLIGATION & YOUR SOLE REMEDY WITH RESPECT TO ANY DEFECTS OR OTHER PRODUCT ISSUE. ANY PRODUCTS REPLACED UNDER TERMS OF THIS WARRANTY WILL BE COVERED UNDER TERMS & BALANCE OF THE DURATION OF THE ORIGINAL LIMITED WARRANTY FOR SUCH PRODUCT.



Warranty Information Trektop Trail Cover

Vehicle Application:
Jeep® Wrangler JK & JL Unlimited with Trektop or no top installed
Part Number 81043

COVERED PRODUCTS AND WARRANTY PERIODS: The warranty time periods are as follows for Products manufactured by Bestop:
BESTOP® LIMITED LIFETIME WARRANTY

Trektop® Pro Twill Fabric Top Sunrider® for Hardtop Twill Fabric Top
Trektop® NX Glide Twill Fabric Top Replace-a-Top™ Twill Fabric Top
Trektop® NX Twill Fabric Top Supertop® NX Twill Fabric Top
EZFold™ Soft Tonneaus Floor & Cargo Liners
ZipRail™ Soft Tonneaus Pet Barriers
EZRoll™ Soft Tonneaus

BESTOP® 5-YEAR LIMITED WARRANTY

Trektop® NX Glide™ Top (non-Twill) Sunrider® for Hardtop (non-Twill) Replace-a-Top™ Top (non-Twill) Trektop® NX Top (non-Twill)
Sailcloth Replace-a-Top™ Supertop® NX Top (non-Twill)
Tigertop™ and Halftop™ Supertop® Classic Soft Top Sunrider® Complete Soft Top Supertop® for Truck
EZ Fold Hard Tonneau

BESTOP® 3-YEAR/100K MILES LIMITED WARRANTY

Powerboard® & Powerboard® NX
Trekstep®, Side Mount
Trekstep®, Rear Mount

BESTOP® 3-YEAR LIMITED WARRANTY

Pavement Ends Sprint Top

BESTOP® 2-YEAR LIMITED WARRANTY

Trektop® Classic Soft Top
RoughRider™ Soft Storage

BESTOP® 1-YEAR LIMITED WARRANTY

All other Bestop® & Pavement Ends™ products not specified above.

For further information or request for warranty work, please contact:

Bestop Inc. Customer Service
Toll-Free: (800)845-3567
Main: (303)465-1755
E-mail: csbestop@Bestop.com
Website: www.Bestop.com