



Installation Instructions Trek Top Glide 4-Door

Vehicle Application:
Jeep® Wrangler Unlimited 2007-2017
Part Number 54923

Installation Tips

Before you begin installing your new Trek Top Glide, please read all the instructions thoroughly.

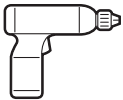


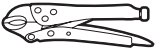




WARNING Do not rely in any way on the components of this product to protect against injury or death in the event of an accident. Never operate the vehicle in excess of manufacturer's specifications.

Read and follow, precisely, all installation instructions provided when installing this product. Failure to do so may result in a poor fit and could place occupants of the vehicle in a potentially dangerous situation.



WEAR SEAT BELTS AT ALL TIMES

CAUTION Safety glasses should be worn at all times when installing this product.

Tools				Installation Time	Support
				 4 hours	We're here to help! Go to www.Bestop.com and click on "Contact Us"
Drill Driver & #2 Phillips Bit	#2 Phillips Screwdriver	T30 Torx Driver	Vise-Grips	Skill Level	
				 3 - Moderately Difficult	



Installation Instructions Trek Top Glide 4-Door

Vehicle Application:
Jeep® Wrangler Unlimited 2007-2017
Part Number 54923

Sugerencias de Instalación

Antes de empezar a instalar esta unidad, lea atentamente todas las instrucciones.

Para un buen ajuste:

Para facilitar la instalación, el producto debe instalarse a temperaturas superiores a 72 °F (22 °C).

Por debajo de esta temperatura, la tela puede encogerse una pulgada o más, lo que dificultaría su ajuste al vehículo.

Es normal que la tela se contraiga o arrugue cuando está guardada en la caja de empaque. A los pocos días después de la instalación, la tela se relajará y las arrugas desaparecerán.



ADVERTENCIA

Este producto se diseñó principalmente para mejorar la apariencia del vehículo y proteger a los ocupantes de las condiciones climáticas comunes. De ninguna manera piense que los componentes de este producto pueden servir como medio de contención para los ocupantes del vehículo o que pueden protegerlos contra lesiones o la muerte en caso de accidente. Este producto no protegerá a los ocupantes contra caídas de objetos. Nunca conduzca este vehículo fuera de las especificaciones del fabricante.

USE LOS CINTURONES DE SEGURIDAD EN TODO MOMENTO

Lea y siga con precisión todas las instrucciones de instalación que se proporcionan para instalar este producto. Si no lo hace, podría producirse un mal ajuste que colocaría a los ocupantes del vehículo en una situación potencialmente peligrosa.



PRECAUCIÓN

Debe usar gafas protectoras en todo momento durante la instalación de este producto.

Conseils pour l'installation

Lire toutes les instructions au complet avant de commencer l'installation de cet assemblage.

Pour un ajustement sans problème :

Afin de faciliter l'installation, ce produit doit être installé à des températures au-dessus de 72 °F (22 °C).

Sous cette température, le tissu peut rétrécir d'un pouce (2,5 cm) ou plus, ce qui rendra l'ajustement sur le véhicule difficile.

Il est normal que le tissu rétrécisse et plisse pendant qu'il est dans la boîte d'expédition. En quelques jours après l'installation, le tissu se détendra et les plis disparaîtront.



AVERTISSEMENT

Ce produit est conçu principalement pour améliorer l'apparence du véhicule et pour protéger les occupants des conditions météorologiques usuelles. Ne jamais se fier aux composants de ce produit pour se protéger de blessures ou de la mort en cas d'accident. Ce produit ne protégera pas les occupants des chutes d'objets. Ne jamais utiliser le véhicule au-delà des caractéristiques techniques indiquées par le fabricant.

PORTER UNE CEINTURE DE SÉCURITÉ EN TOUT TEMPS

Lire et suivre, très fidèlement, toutes les instructions d'installation fournies lors de l'installation de ce produit. Ne pas suivre cette consigne peut causer une installation inadéquate et mettre les occupants du véhicule dans une situation potentiellement dangereuse.



MISE EN GARDE

Des lunettes de sécurité doivent être portées en tout temps lors de l'installation de ce produit.


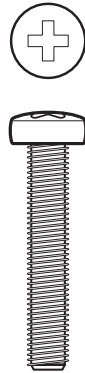
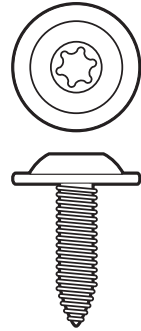





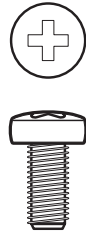
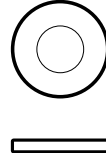

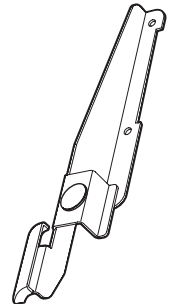
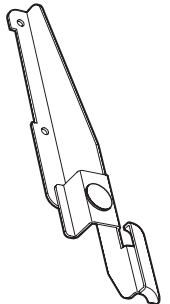
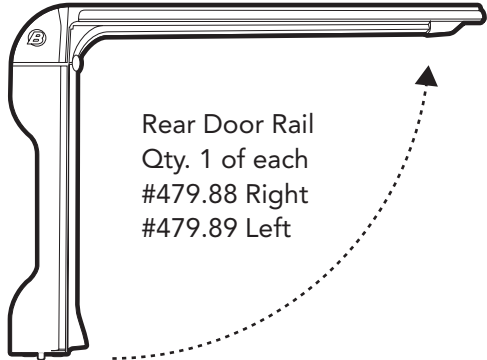


Installation Instructions Trek Top Glide 4-Door

Vehicle Application:
Jeep® Wrangler Unlimited 2007-2017
Part Number 54923

Parts List

- Required parts for installation - Page number in Installation Guide

All Sections		Hardware and Fasteners				Multiple Pages	
							
M5 x 16 Screw Qty. 6 Part # 459.45	M5 x 30 Screw Qty. 2 Part # 308.87	Bow Mount Screw Qty. 4 Part # 308.64	#8 x 1/2" Pan Head Washer Screw Qty. 26 Part # 393.79	Plastic Bushing Qty. 8 Part # 473.40	Pivot Knuckle Screw Qty. 2 Part # 308.65	#8 x 1/2" Hi Low Screw Qty. 4 Part # 459.03	M5 Nylon Lock Nut Qty. 8 Part # 308.62
Section 1		Cable Guide Brackets & Rear Door Rails				Pages 7 & 8 of Guide	
							
M3 Machine Screw Qty. 4 Part # 545.15	M3 Flat Washer Qty. 4 Part # 545.13	M3 Nylon Lock Nut Qty. 4 Part # 545.14	Cable Guide Bracket Qty. 1 Part # 482.83 - Left	Cable Guide Bracket Qty. 1 Part # 482.82 - Right	Rear Door Rail Qty. 1 of each #479.88 Right #479.89 Left		



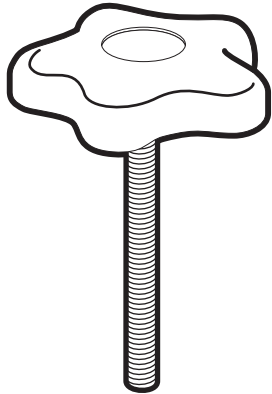
Installation Instructions Trek Top Glide 4-Door

Vehicle Application:
Jeep® Wrangler Unlimited 2007-2017
Part Number 54923

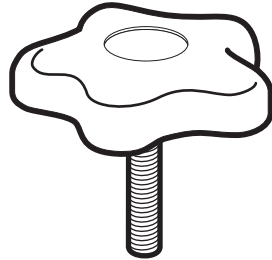
Parts List

- Required parts for installation - Page number in Installation Guide

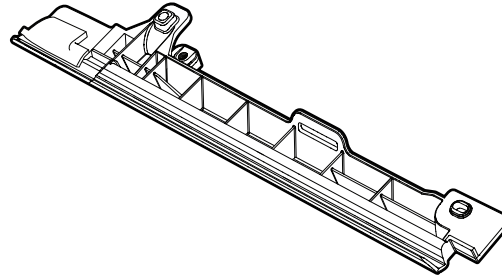
Section 2 Knobs and Front Door Rails Pages 8 & 9 of Guide



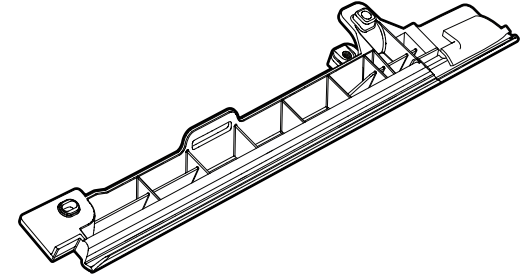
M8 x 75mm Knob
Qty. 4
Part # 478.90



M8 x 30mm Knob
Qty. 2
Part # 480.22



Front Door Rail
Qty. 1
Part # 479.87 - Left



Front Door Rail
Qty. 1
Part # 479.86 - Right

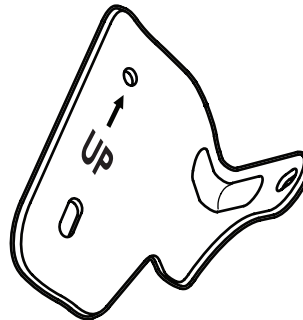
Sections 3 & 4 Top Arches & Bow Mount Brackets Pages 10 & 11 of Guide



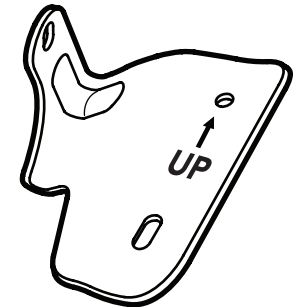
Front Top Arch
Qty. 1
Part #486.55



Rear Top Arch
Qty. 1
Part #486.56



Bow Mount Bracket
Qty. 1
Part # 538.41- Left



Bow Mount Bracket
Qty. 1
Part # 538.40 - Right

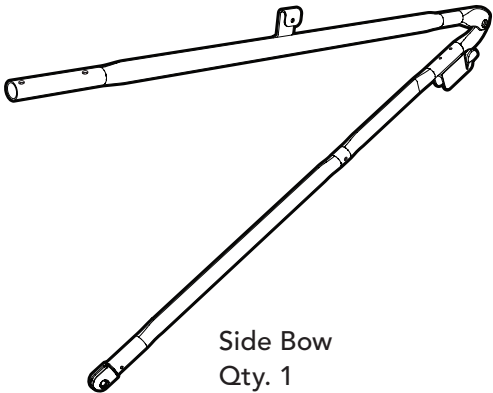
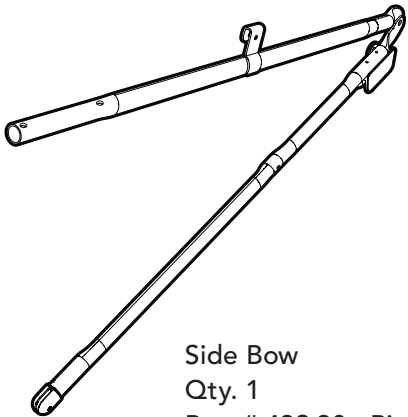

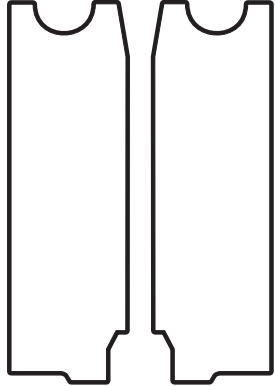
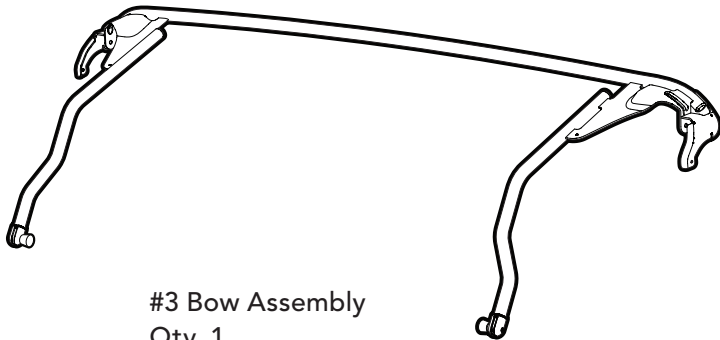
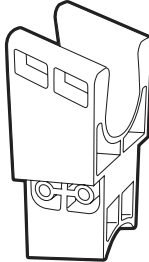
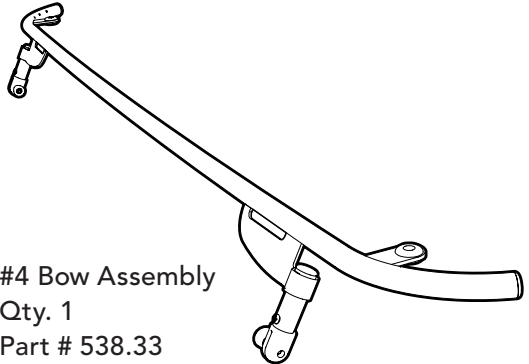


Installation Instructions Trek Top Glide 4-Door

Vehicle Application:
Jeep® Wrangler Unlimited 2007-2017
Part Number 54923

Parts List

- Required parts for installation - Page number in Installation Guide

Sections 5 and 6		Side Bows, Foam Tape and Foam Seals	Pages 12 to 14 of Guide
 <p>Side Bow Qty. 1 Part # 492.89 - Left</p>	 <p>Side Bow Qty. 1 Part # 492.90 - Right</p>	 <p>Foam Tape Strips Qty. 2 Part # 417.43</p>	 <p>Foam Seals Qty. 1 per side Part # 457.76 (R) & 457.77(L)</p>
Sections 8 to 10		#3 Bow, Bow Stops and #4 Bow	Pages 16 to 18 of Guide
 <p>#3 Bow Assembly Qty. 1 Part # 538.29</p>	 <p>Bow Stop Qty. 2 Part #539.58</p>	 <p>#4 Bow Assembly Qty. 1 Part # 538.33</p>	



Installation Instructions Trek Top Glide 4-Door

Vehicle Application:
Jeep® Wrangler Unlimited 2007-2017
Part Number 54923

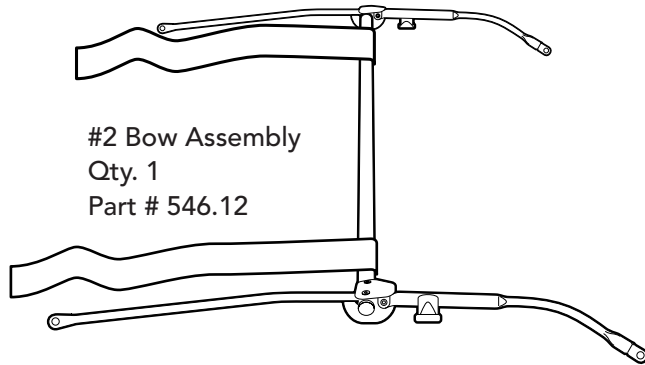
Parts List

- Required parts for installation - Page number in Installation Guide

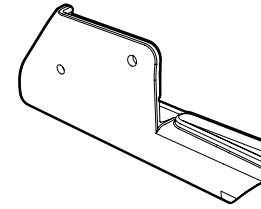
Sections 12 & 16

#2 Bow and Cable Pockets

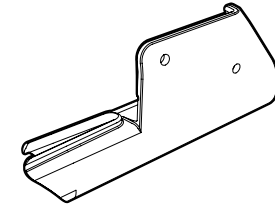
Pages 20 to 25 of Guide



#2 Bow Assembly
Qty. 1
Part # 546.12



Cable Pocket
Qty. 1
Part # 544.20 - Right

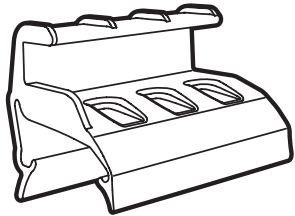


Cable Pocket
Qty. 1
Part # 544.21 - Left

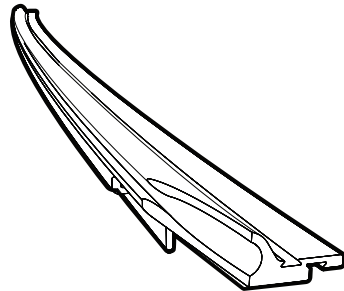
Sections 19 to 23

Tailgate Bar Mounts, Tailgate Bar, Quarter & Rear Windows

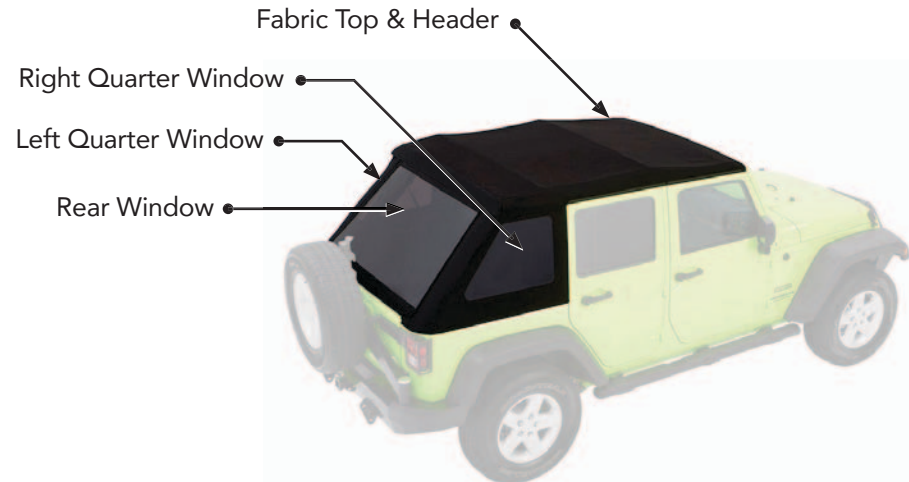
Pages 28 to 33 of Guide



Tailgate Bar Mounts
Qty. 1 of each
Part # 539.57 - Left
Part # 539.56 - Right



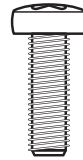
Tailgate Bar
Qty. 1
Part #538.76



Step 1

482.82 479.88 459.45 308.62

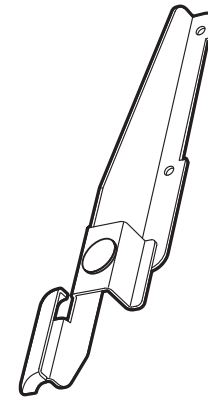
Hardware



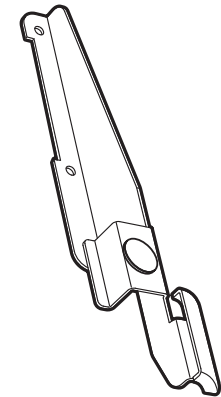
M5 x 16 Screw
Qty. 2 per side
Part #459.45



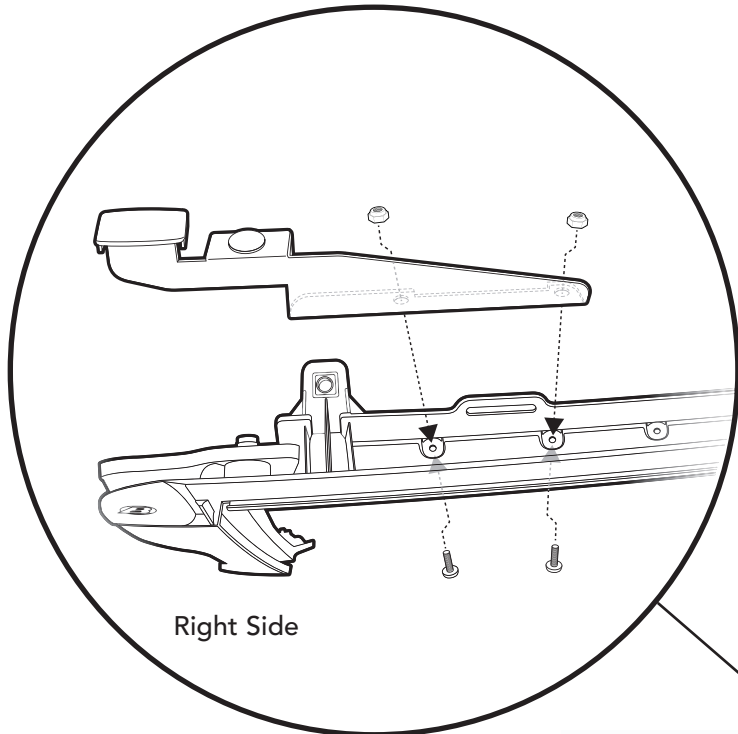
M5 Nylon Lock Nut
Qty. 2 per side
Part #308.62



Cable Guide Bracket
Qty. 1
Part #482.83 - Left



Cable Guide Bracket
Qty. 1
Part #482.82 - Right

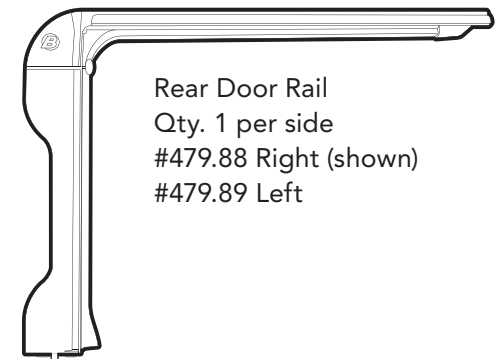


Right Side

Step 1

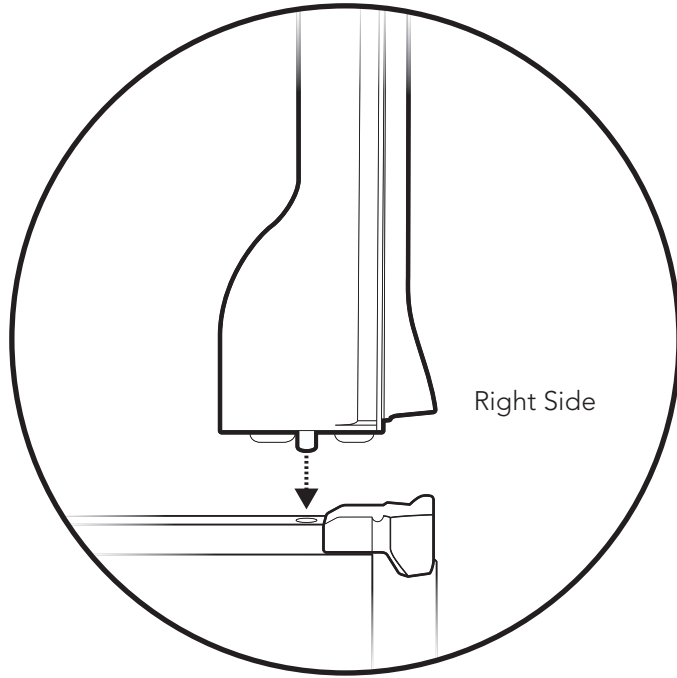
Attach the Right Cable Guide Bracket #482.82 to the Right Rear Door Rail #479.88 using two (2) M5 x16 screws #459.45 and two M5 Nylon Lock nuts #308.62.

Repeat for left side.

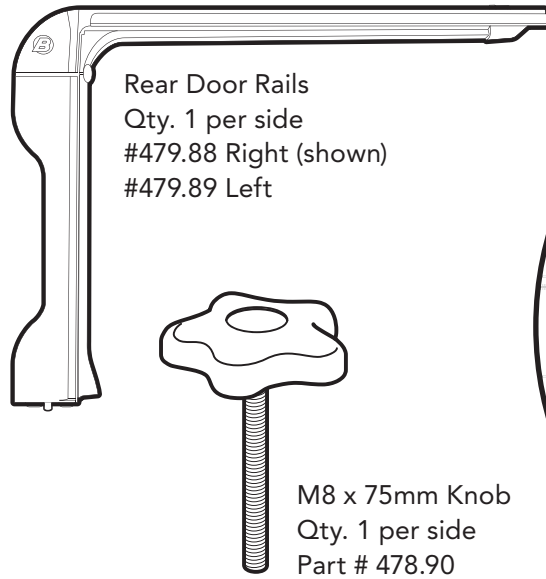


Rear Door Rail
Qty. 1 per side
#479.88 Right (shown)
#479.89 Left

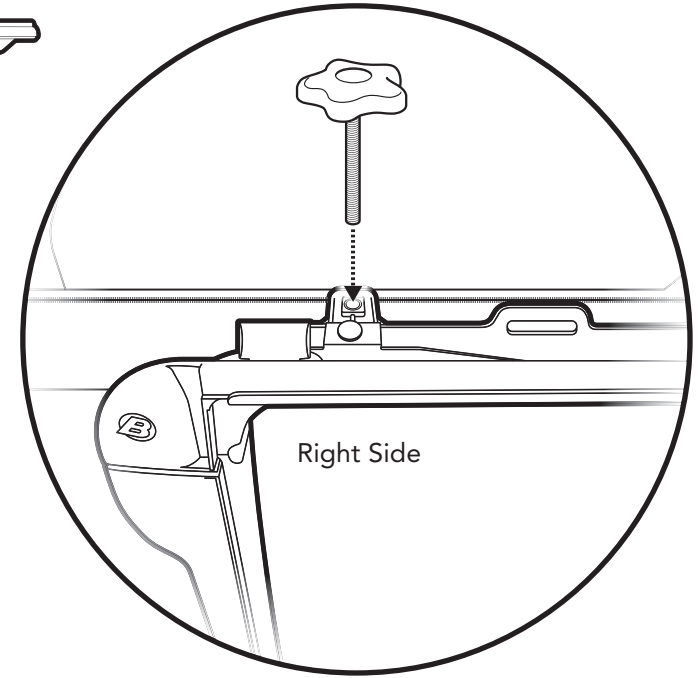
Step 1 479.88



Hardware



Step 2 478.90



Step 1

Locate the Right Rear Door Rail #479.88.

Attach the Right Rear Door

Rail assembly to the Jeep belt rail behind the right rear door, inserting the alignment pin on the bottom of the Door Rail Assembly into the hole in the top of the belt rail.

Repeat for left side Rear Door Rail #479.89.



Step 2

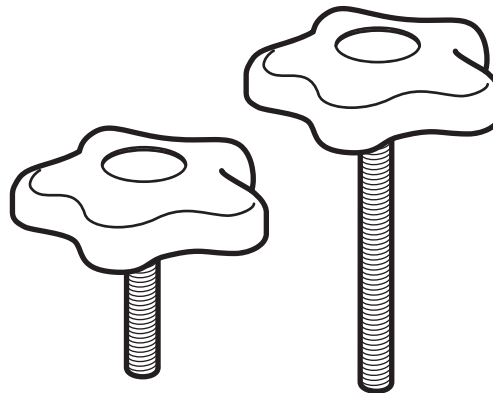
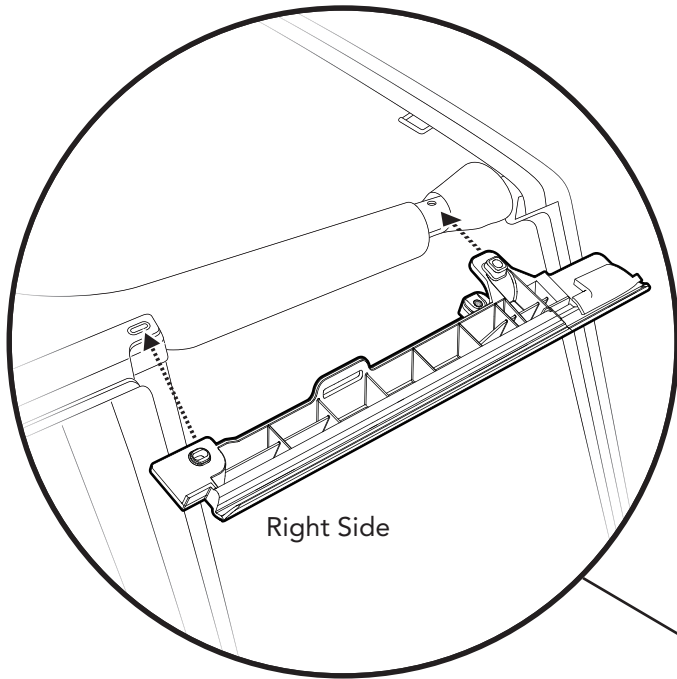
Secure Left and Right Rear Door Rails to the Jeep Sport Bar using (1) Long M8 x75mm Knob #478.90 per side.

The knobs go through the tab at the rear of each Rear Door Rail, and screw into the threaded holes in the top of the sport bar.

Step 1 479.86 (Right) 479.86 (Left)

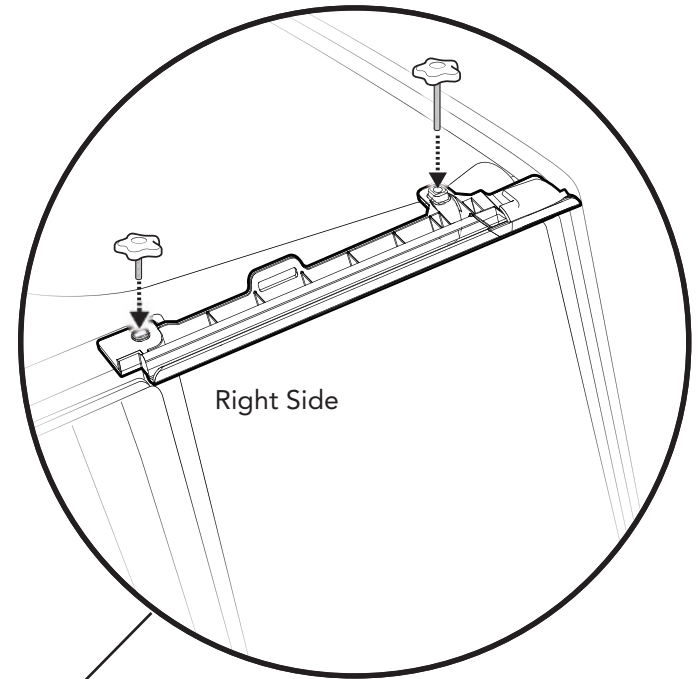
Hardware

Step 2



M8 x 30mm Knob
Qty. 1 per side
Part #480.22

M8 x 75mm Knob
Qty. 1 per side
Part #478.90



Step 1

Attach the Right Front Door Rail #479.87 to the Jeep sport bar, aligning the hole and slot in the tabs on the Front Door Rails with the threaded holes on the top of each sport bar, and with the slotted tab on each Rear Door Rail.

Repeat for the left side, using the Left Front Door Rail.



Step 2

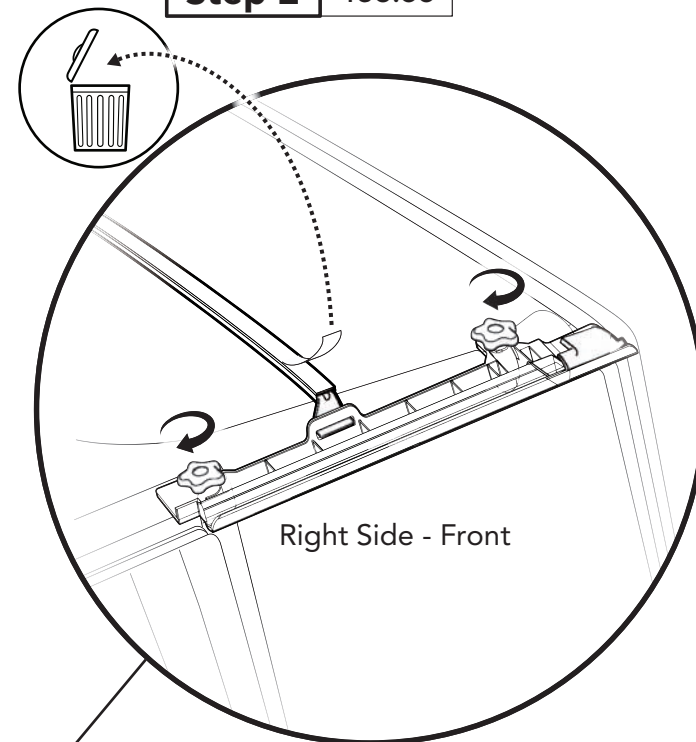
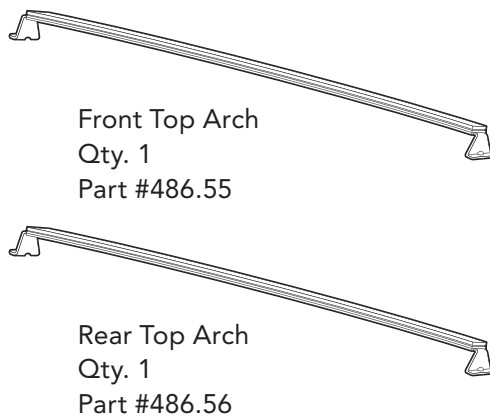
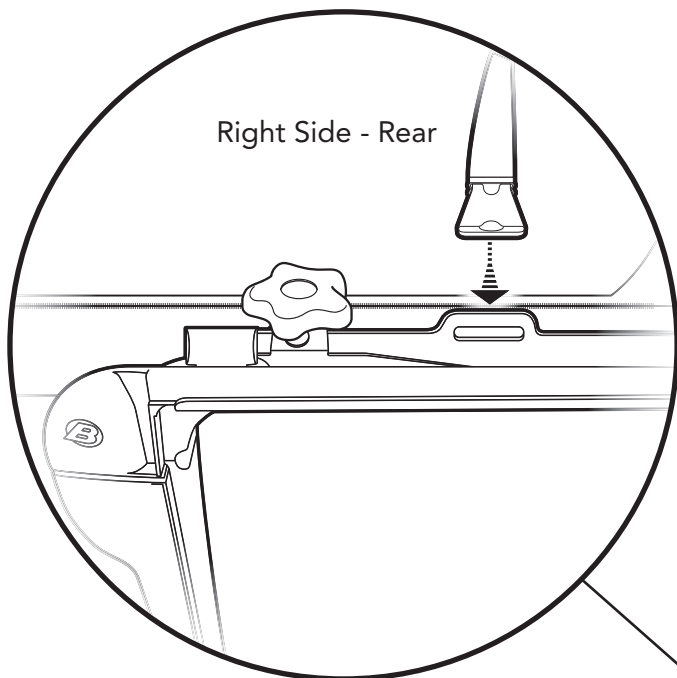
Secure the Front Door Rails to the sport bar using (1) M 8x30mm Short Knob #480.22 at the rear, and (1) M8 x75mm Long Knob #478.90 at the front.

Secure the front of each Front Door Rail first, and leave both knobs slightly loose until after installing Top Arches, in Section 3.

Step 1 486.56

Hardware

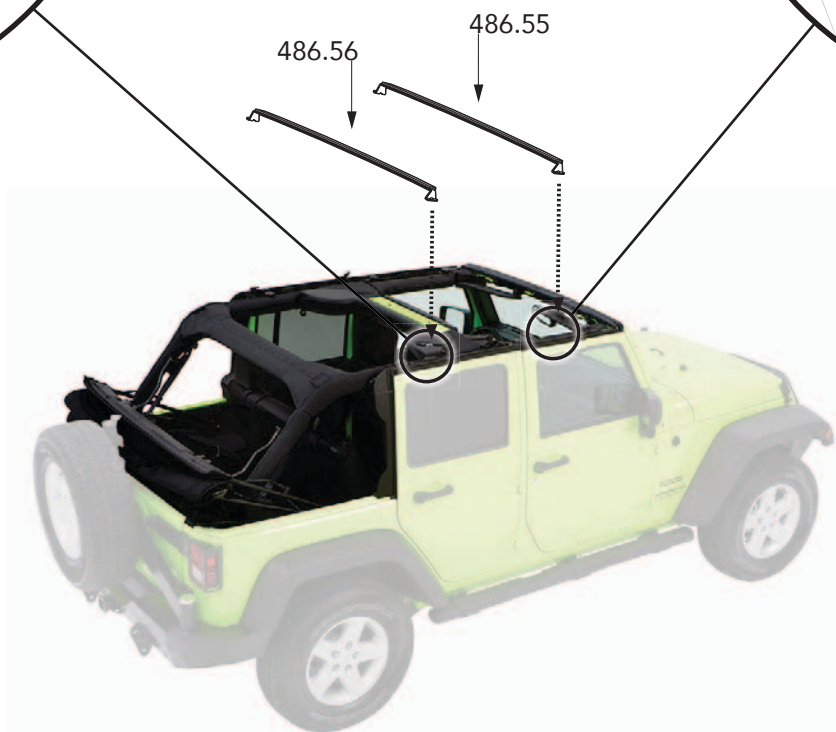
Step 2 486.55



Step 1

Insert the Rear Top Arch 486.56 into the vertical slotted tab on the Rear Door Rail. Insert one end, and flex the bow to insert the other end into the tabbed slot on the opposite side of the Jeep.

Repeat for Front Top Arch 486.55, inserting one end into the vertical tabbed slot in the Front Door Rail, and flexing to insert the other end into the tabbed slot on the opposite side of the Jeep.



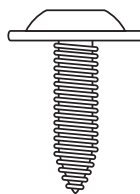
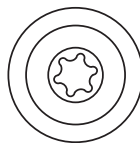
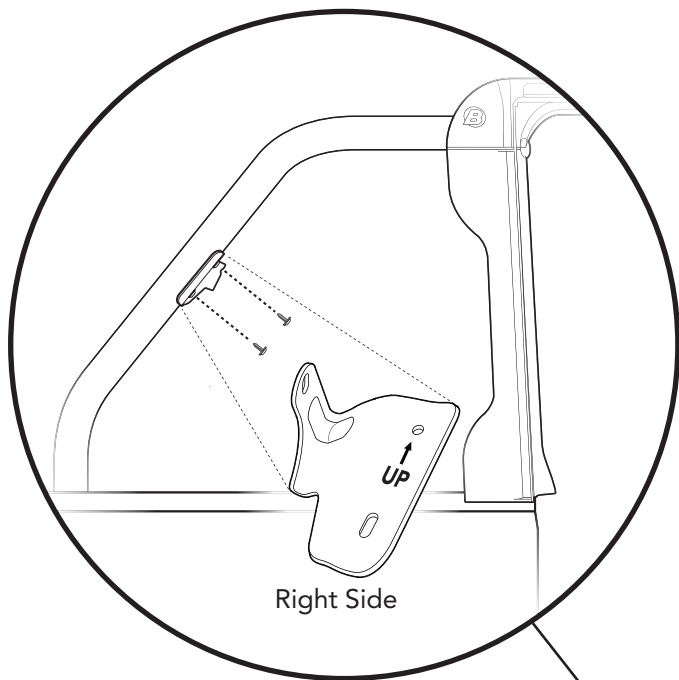
Step 2

Remove the protective peel-off strip on the top surface of each Top Arch.

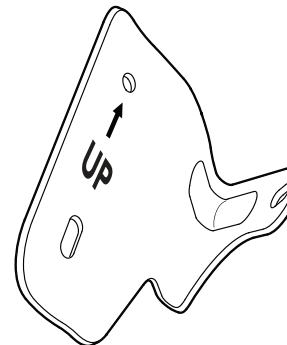
Tighten all three knobs on the Front and Rear Door Rails, on both sides of the Jeep.

Step 1 538.40 (Right)

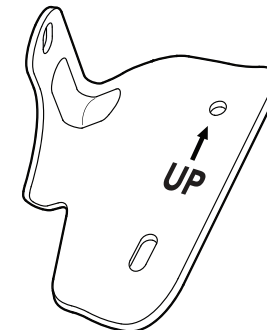
Hardware



Bow Mount Screw
Qty. 2 per side
Part # 308.64



Left Bow Mount Bracket
Qty. 1
Part # 538.41



Right Bow Mount Bracket
Qty. 1
Part # 538.40

Step 1

Unzip the protective cover on the rear sport bar down-tubes and locate the two threaded holes on the underside of each sport bar down-tube.

Attach the Right Bow-Mount Bracket #538.40 to the right-side sport bar down-tube using two (2) Bow-Mount Screws #308.64.

Attach the Left Bow-Mount Bracket #538.41 to the left-side sport bar down-tube using two (2) Bow-Mount Screws #308.64.

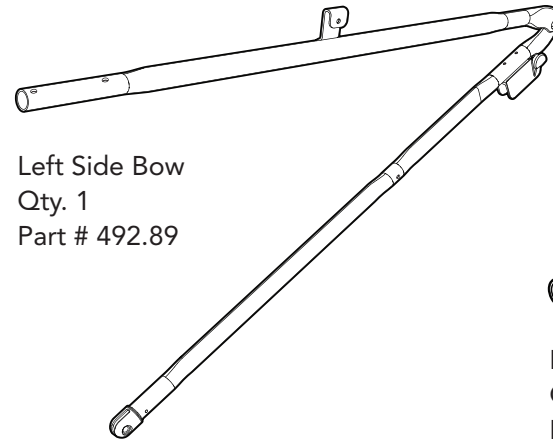
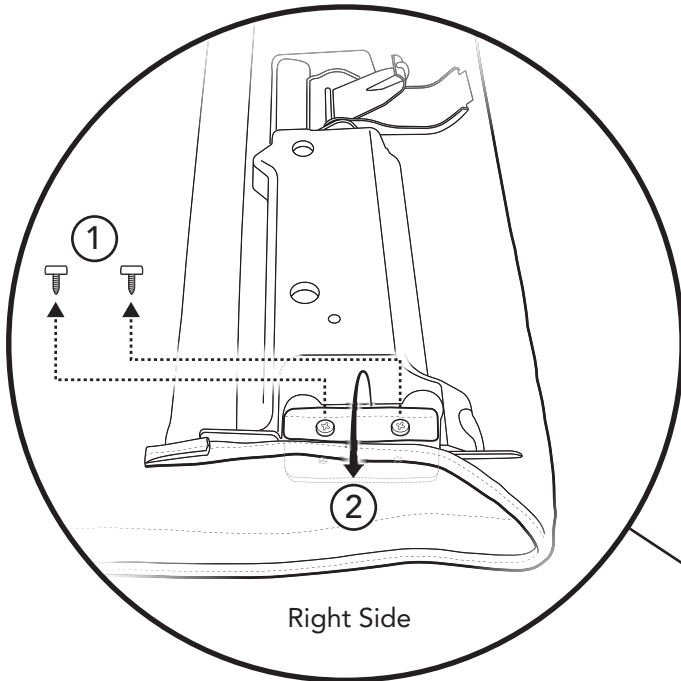


Step 2

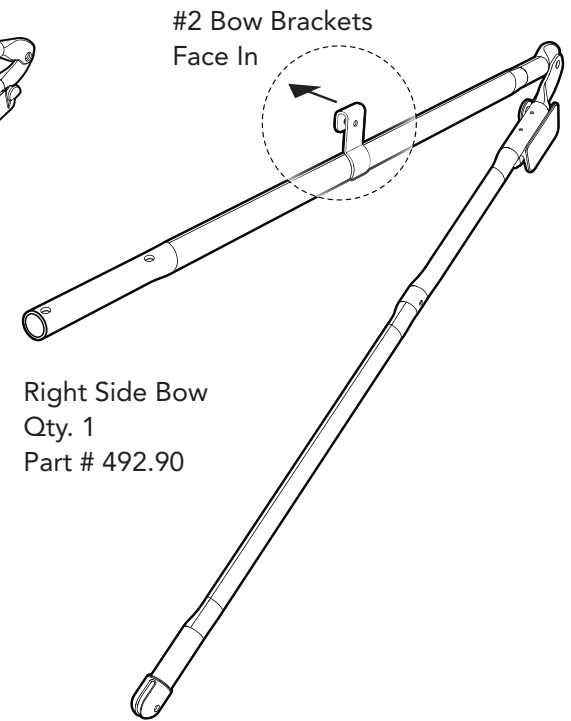
Replace the sport bar protective cover, making sure that the Bow Mount Brackets stick out through the openings in the cover.

Step 1 Header/Fabric Assembly

Hardware



Left Side Bow
Qty. 1
Part # 492.89



Right Side Bow
Qty. 1
Part # 492.90

Step 1

Lay the Header/Fabric Assembly out with inside of fabric facing up. You may want to use the shipping box to keep the fabric off the ground.

Remove and set aside the two screws holding the protective flap down on the inside of the header. Fold the protective flap back to expose the screw holes used for attaching the Right Side Bow.

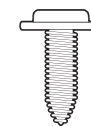
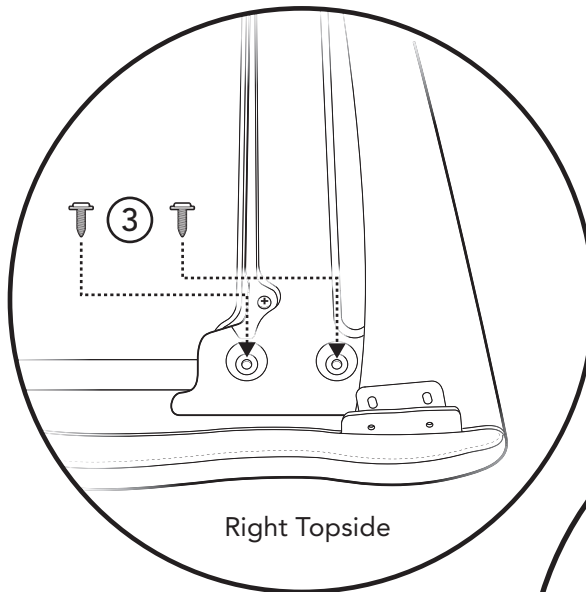
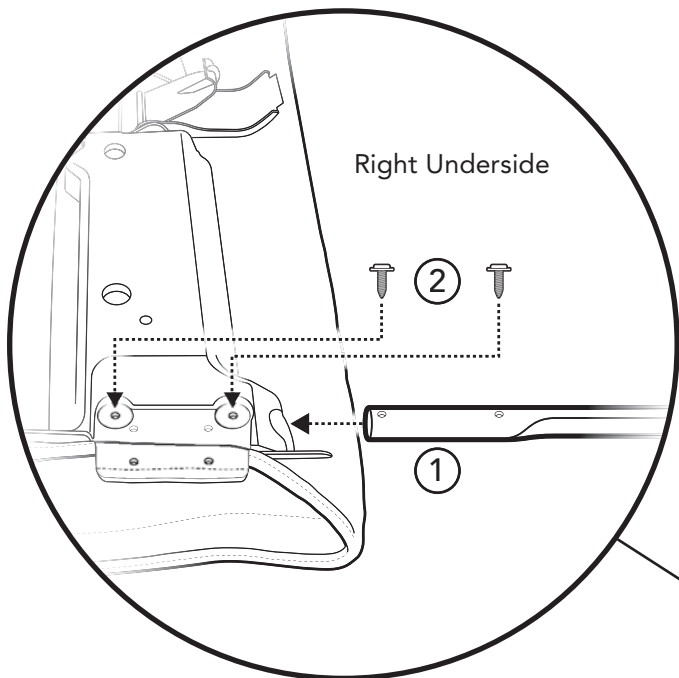
Repeat on left side of Header/Fabric Assembly.



Step 2 492.89 (Right) 492.89 (Left)

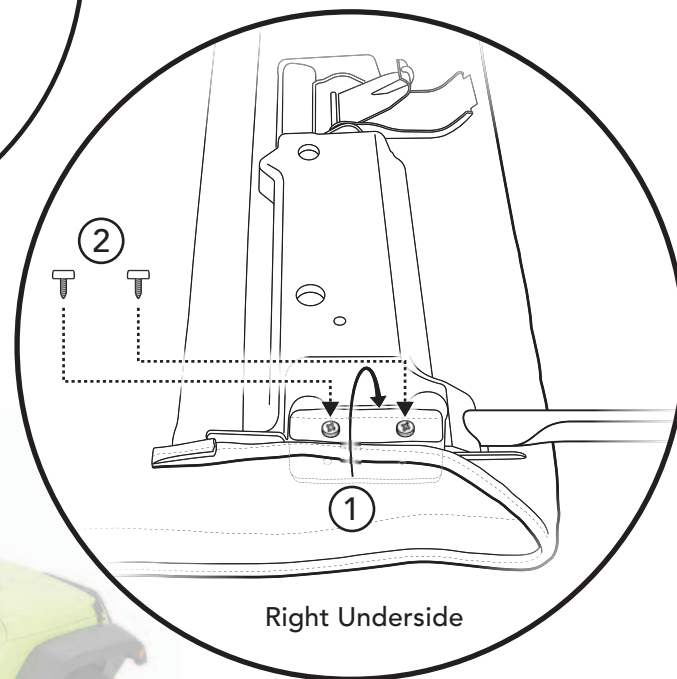
Step 2

Hardware



#8 x 1/2" Pan Head
Washer Screw
Qty. 4 per side
Part # 393.79

Step 3



Step 1

Insert the end of the Right Side Bow #492.89 into the hole in the right side of the Header/Fabric Assembly, aligning the two holes in the tubing with the two holes in the header. Make sure that the #2 Bow Bracket faces in.

Use a #2 Phillips screwdriver to secure the Right Side Bow in place with four (4) #8 x 1/2" Pan Head Washer Screws #393.79: two from the underside of the Header/Fabric assembly, and two from the topside.

Repeat on left side, using Left Side Bow #492.90.

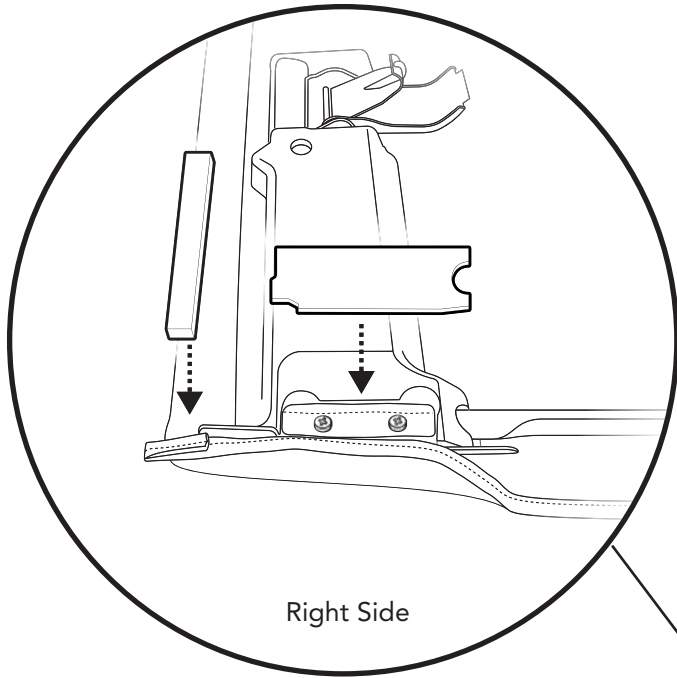


Step 3

Replace the protective flaps on both sides, and re-insert the screws you set aside, two for each side.

Step 1 417.43 457.76 457.77

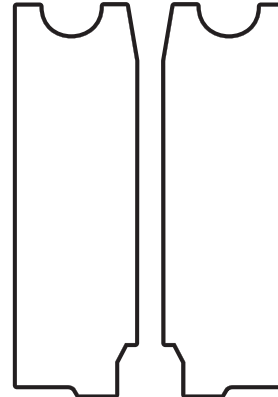
Hardware



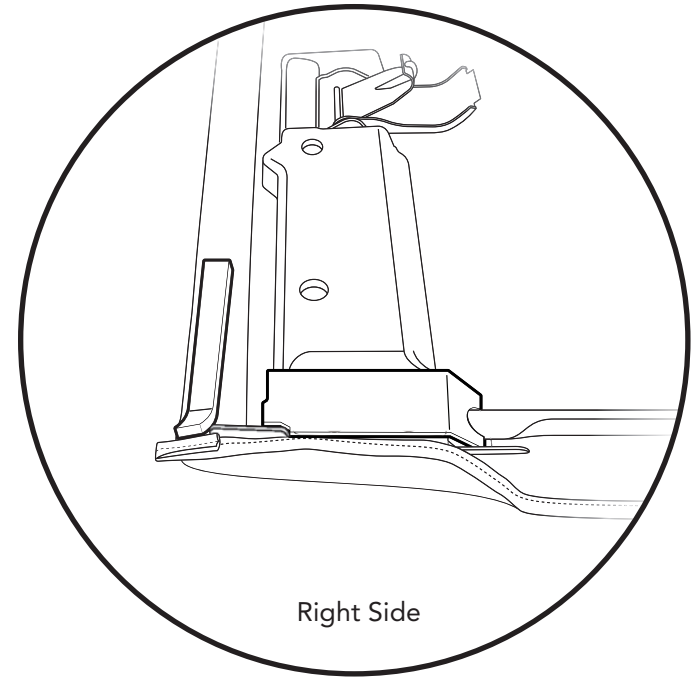
Right Side



Foam Tape Strips
Qty. 2
Part # 417.43



Foam Seals
Qty. 1 per side
Parts # 457.77 (L)
& # 457.76 (R)



Right Side

Step 1

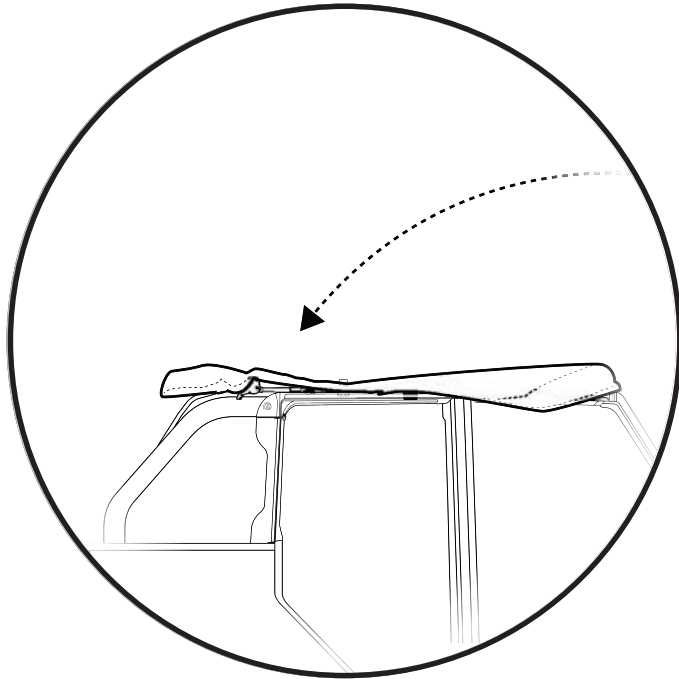
With the front portion of the top folded back, locate the two Foam Seals #417.43 and the two Foam Tape strips #457.76 and #457.77.

Remove the protective liner from the back side of the Foam Seals and place the Foam Seals in the location shown in the diagram.

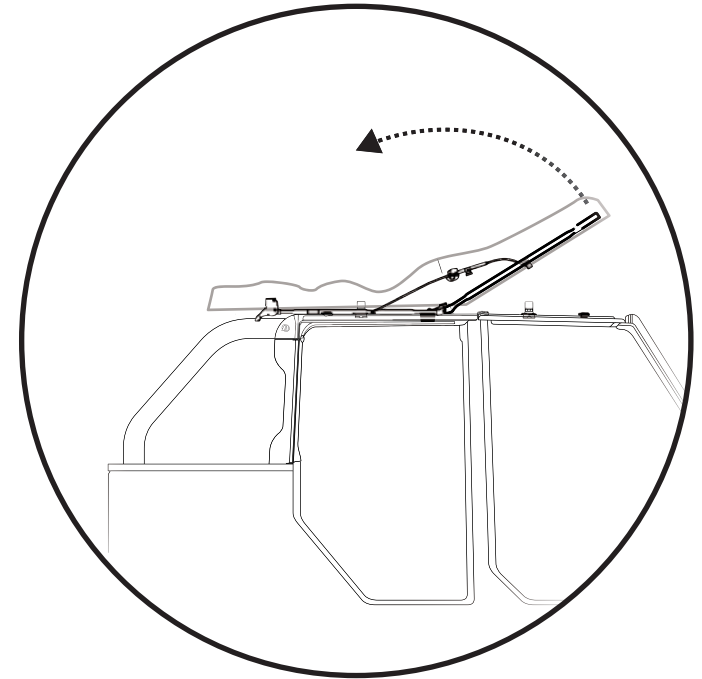
Remove the protective liners from the back side of the Foam Tape Strips and place the Foam Tape Strips in the location shown in the diagram.

Repeat on both sides of the vehicle.



Step 1 Fabric Top**Step 1**

Lift up the fabric and drape it back over the top of the Jeep, pulling it over the top of the #3 Bow and Stay Strap connecting to the #4 Bow.

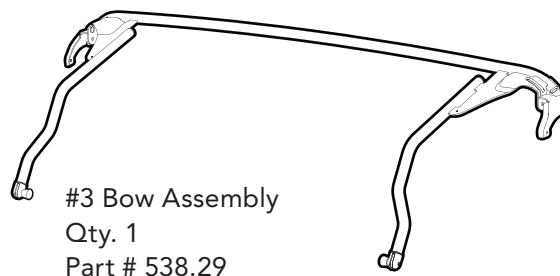
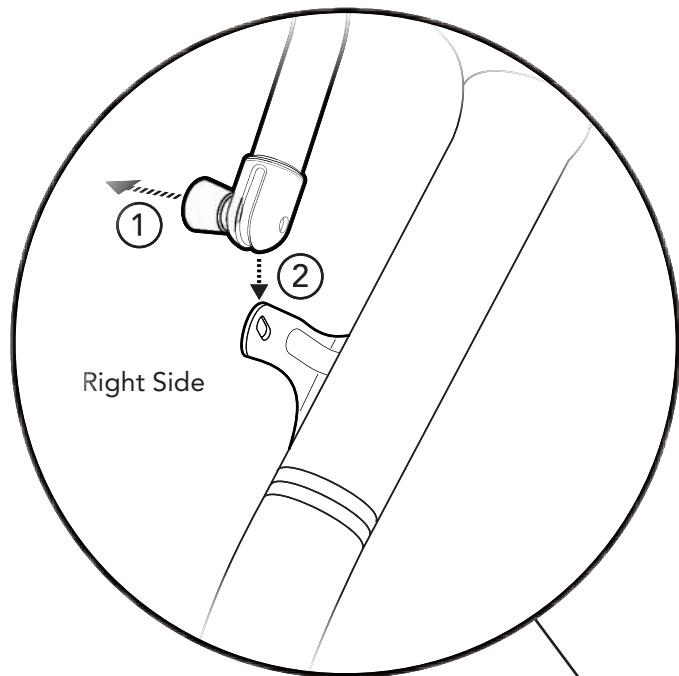
Step 2**Step 2**

Fold the top back from the front pivot point, resting the front portion of the top on the rear portion.



Step 1 583.29

Hardware



Step 1

Locate the #3 Bow Assembly #538.29.

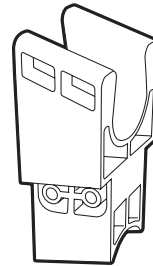
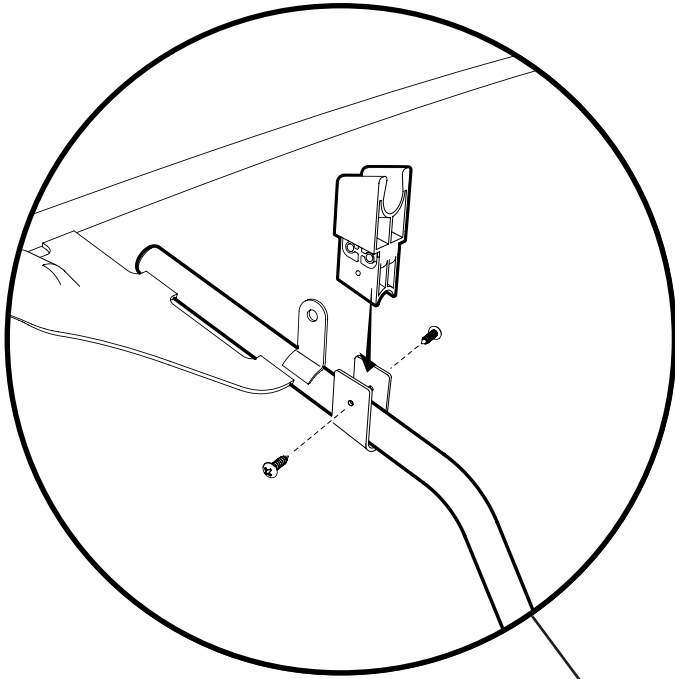
Release the spring-loaded catch at the end of each bow leg by pulling out on the knob.

Slide the slotted end of the catch over the top portion of the Bow Mount Bracket #538.41, so that it snaps into place in the slotted hole in the Bow Mount Bracket.



Step 1

Hardware



Bow Stop
Qty.2
Part #539.58



#8 x 1/2"
Hi Low Screw
Qty. 4
Part #459.03

Step 1

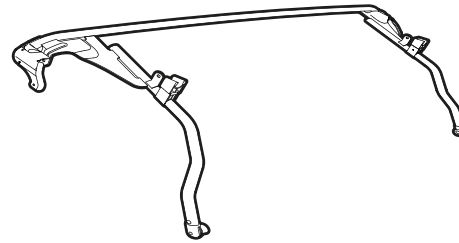
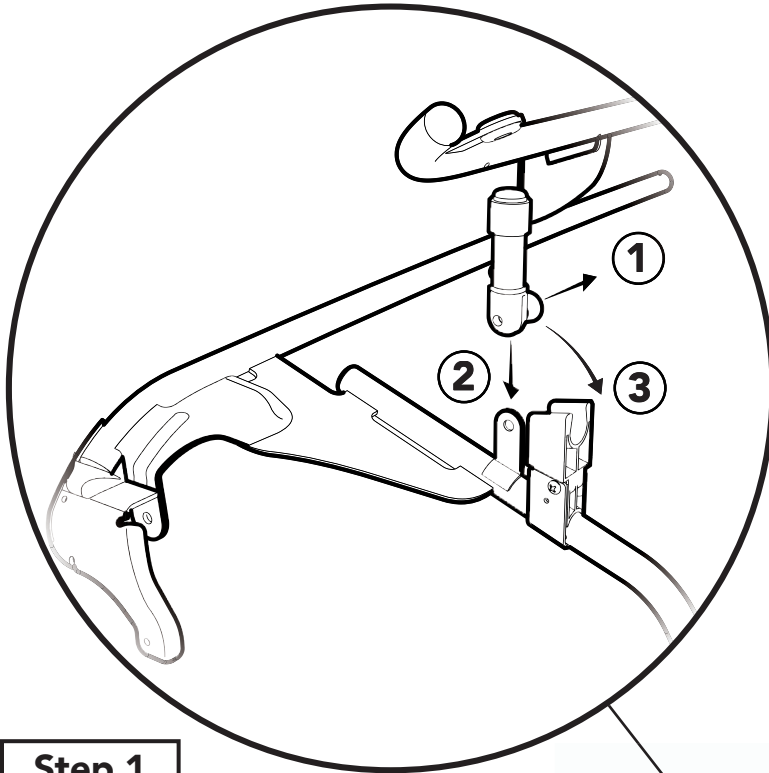
Attach the Bow Stops #539.58 to the #3 Bow legs #538.29 with the narrow part of the Bow Stop inserted between the tabs on each #3 Bow leg. The holes for the screws in the tabs and in the Bow Stops must line up.

From each side of the Bow Stop, insert one (1) Hi Low screw #459.03 through the hole in the tab, and into the Bow Stop, and tighten.

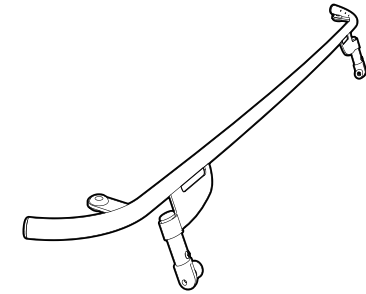


Step 1 538.29 538.33

Hardware



#3 Bow Assembly
Qty. 1
Part # 538.29
(shown with #539.58
bow stops attached)



#4 Bow Assembly
Qty. 1
Part # 538.33

Step 1

Locate the #4 Bow Assembly #538.33.

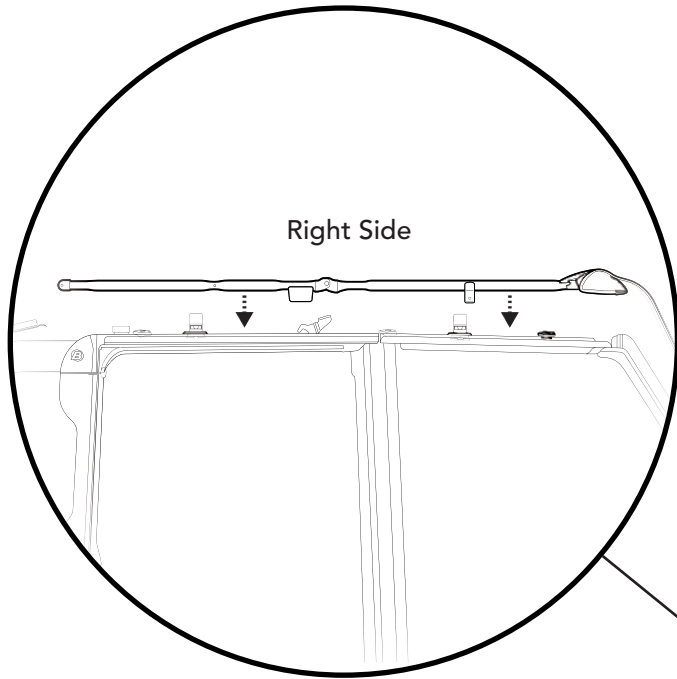
- ① Release the spring-loaded catch on each short leg of the #4 Bow by pulling out on the knob.
- ② Slide the slotted end of the catch over the tab on the #3 Bow Leg #539.58, so that it snaps into place in the hole in the tab.

Repeat on both sides of the #4 Bow.

- ③ After attaching the #4 Bow to the #3 Bow, pivot the #4 Bow down so that it snaps into place in the Bow Stops.



Step 1 Fabric/Header/Side Bow Assembly



Step 1

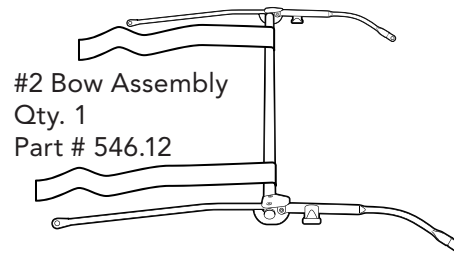
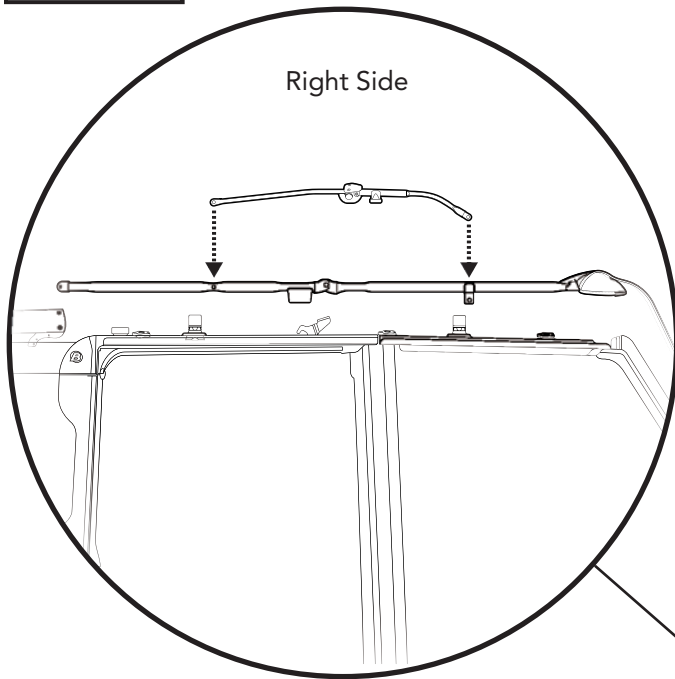
Lift fabric and Header Assembly onto top of Jeep, with Header sitting on top of Jeep windshield, and fabric draped forward over Jeep hood.

You may want to protect the finish of the Jeep by putting a blanket across the Jeep hood.

Extend the Side Bows out straight and lay the Side Bows on top of the Door Rails.



Step 1



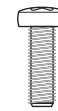
#2 Bow Assembly
Qty. 1
Part # 546.12



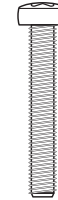
Plastic Bushing
Qty. 4 per side
Part # 473.40



M5 Nylon Lock Nut
Qty. 2 per side
Part # 308.62

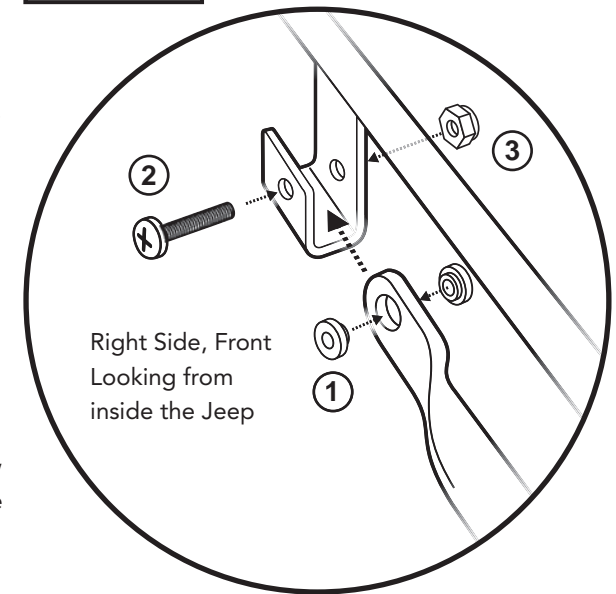


M5 x 16 Screw
Qty. 1 per side
Part # 459.45



M5 x 30 Screw
Qty. 1 per side
Part # 308.87

Step 2



Right Side, Front
Looking from
inside the Jeep

Step 1

Extend the legs of the #2 Bow #546.12 and orient the front legs with the J-bracket on the front inside of each Side Bow.

Step 2

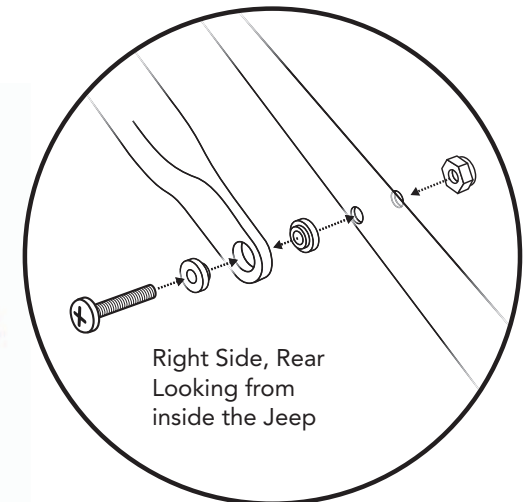
Attach the front legs to the Side Bows with one (1) M5 x 16 Machine Screw #459.45, two (2) Plastic Bushings #473.40, and one (1) M5 Nylon Lock Nut #308.62 per side.

Step 3

Attach the rear legs of the #2 Bow to the Side Bows using one (1) M5x30 Machine Screw #308.87, two (2) Plastic Bushings #473.40, and one (1) M5 Nylon Lock Nut #308.62 per side.

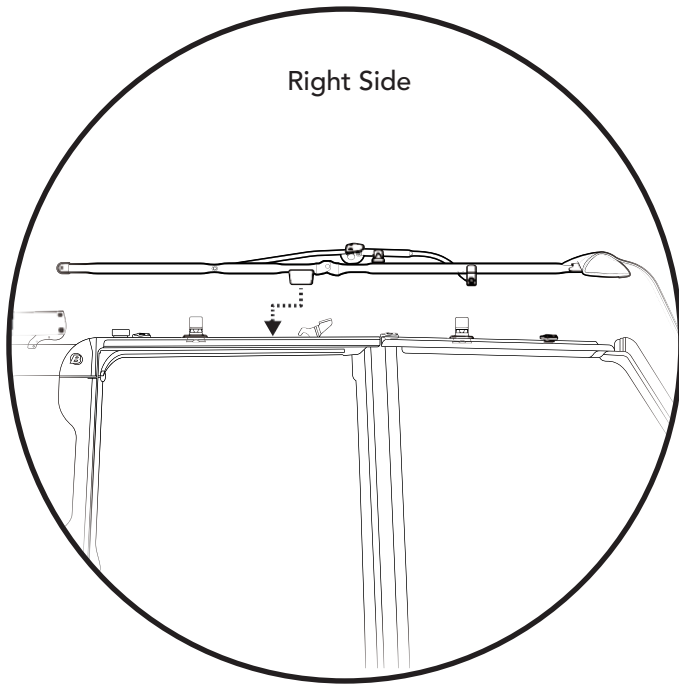


Step 3

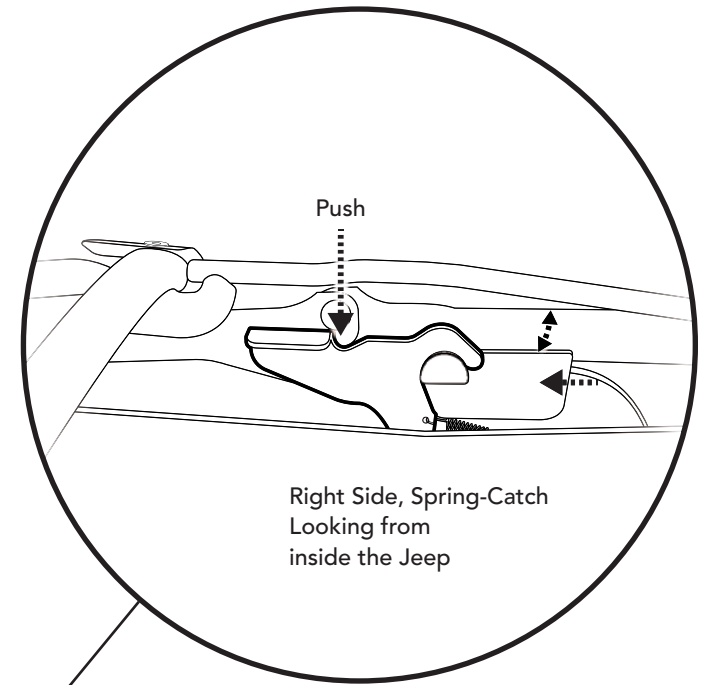


Right Side, Rear
Looking from
inside the Jeep

Step 1 Header/Side Bow/Assembly



Step 2



Step 1

Align the Header-Bow Assembly in the tracks in the top of the Door Rails.

The plastic track guide on the Side Bow Assembly must be located to the rear of the spring-catch, and in position to slide forward over the vertical plastic rib in the top of the Rear Door Rail.

Step 2

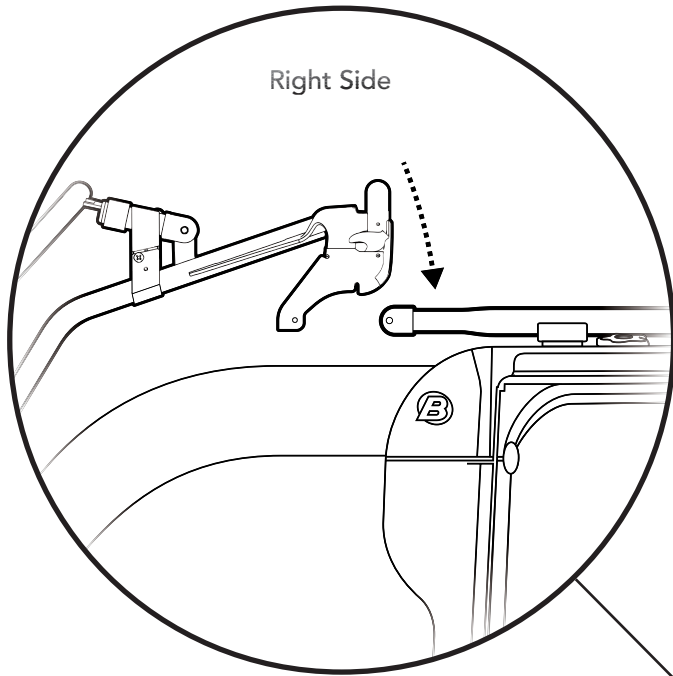
Slide the whole Header/Side Bow Assembly forward in the tracks in the top of the Door Rails, until the button on the inside of each plastic track guide on the Side Bows slips under the spring-catch and latches in place.



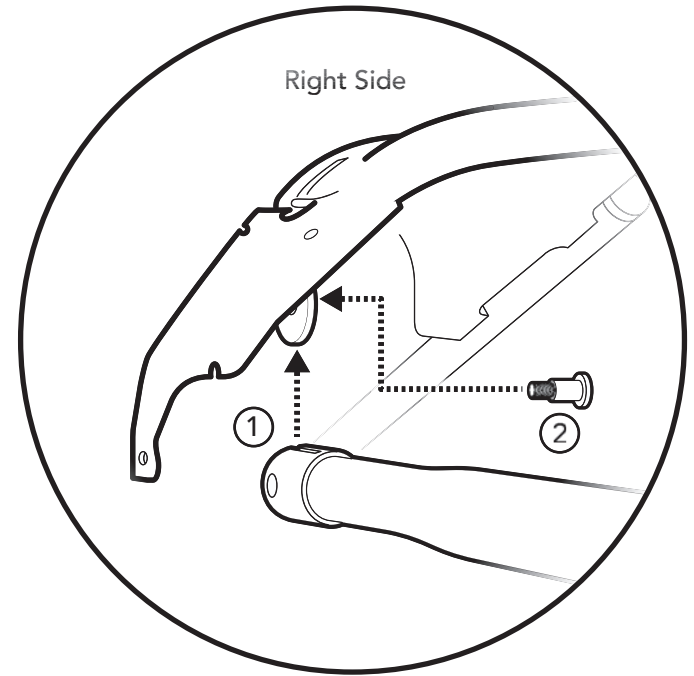
Step 1 Header / Side Bow / Assembly

Hardware

Step 2



Pivot Knuckle Screw
Qty. 1 per side
Part # 308.65



Step 1

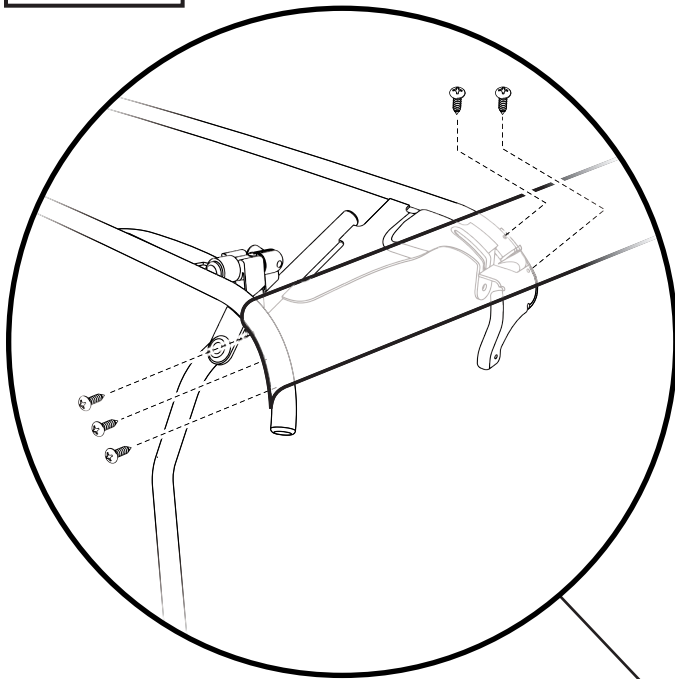
With the Header/Side Bow Assembly latched into place, pivot the #3 Bow forward, and slide the slotted portion of each pivot knuckle over the flange on the bottom of the #3 Bow corner plate, so that the holes in the flange and the hole in the pivot knuckle are aligned.



Step 2

Fasten the pivot knuckle on the end of each back leg of the Header/Side Bow Assembly to the flange on the underside of each #3 Bow corner plate, using one (1) Pivot Knuckle screw #308.65 per side.

Step 1



Hardware



#8 x 1/2"
Pan Head
Washer Screw
#393.79
Qty. 5 per side

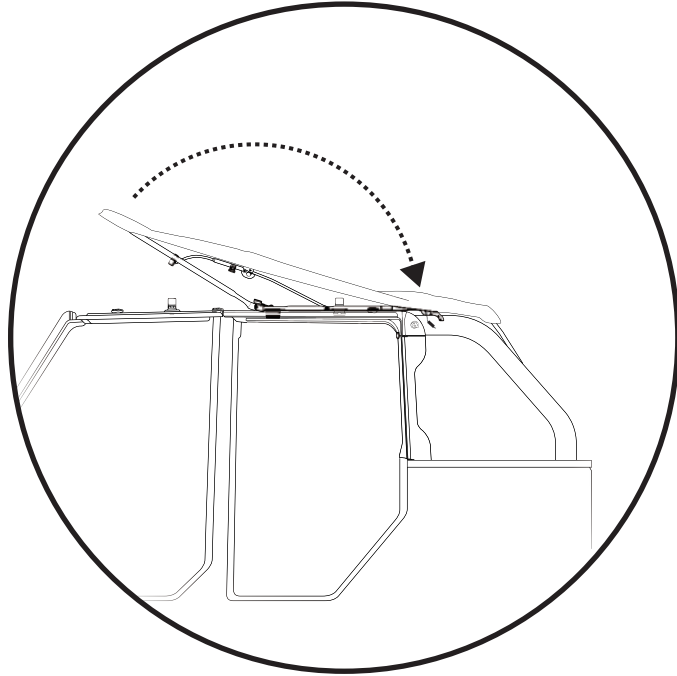
Step 1

With the #4 Bow disengaged from the Bow Stop, attach the loose end of the Stay Strap (attached to the #2 Bow at the opposite end) to the #4 Bow using three (3) Pan Head Washer Screws #393.79 per side, and to the #3 Bow using three (3) Pan Head Washer Screws #393.79 per side.

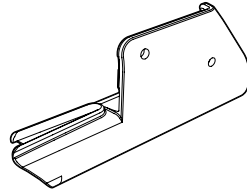
Repeat on both sides of the Jeep.



Step 1

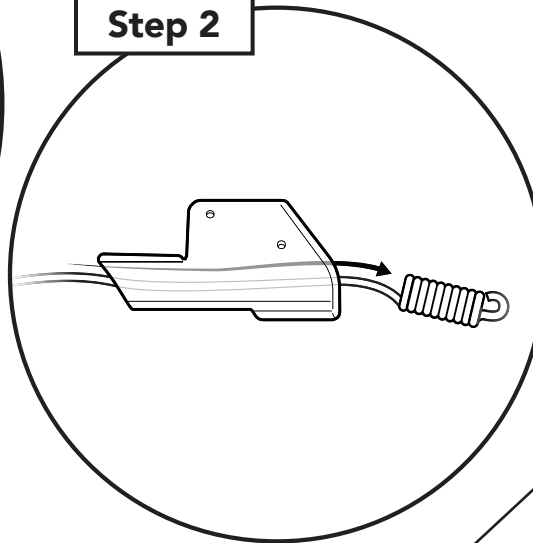


Hardware

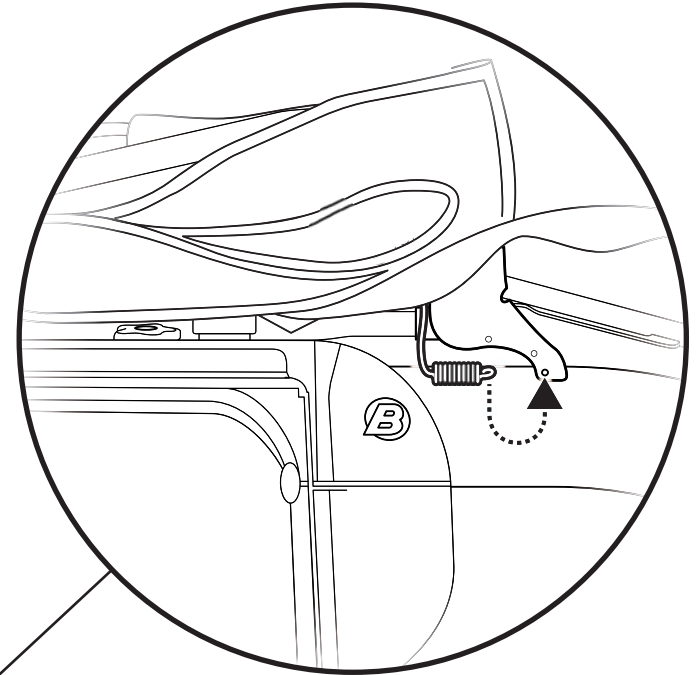


Cable Pockets
#544.20 - Right
#544.21 - Left

Step 2



Step 3



Step 1

Fold the front portion of the fabric top back, to provide some free play in the cable.

Step 2

Locate the Left Cable Pocket #544.21 and slip the spring end of the Cable Spring through the Cable Pocket as shown.

Slide the Cable Pocket back along the cable to get it out of the way.

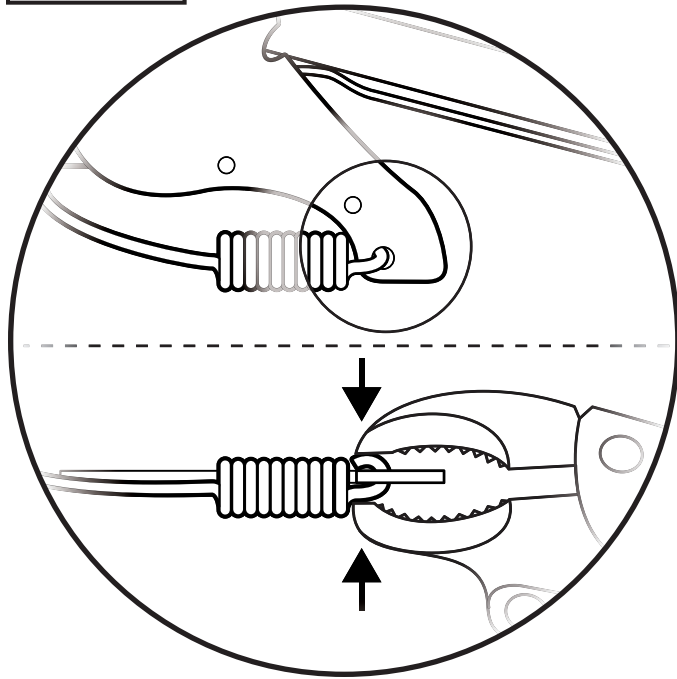
Step 3

Attach the free end of the Cable Spring to the bottom hole in the #3 Bow corner plate, just behind the Rear Door Rail.

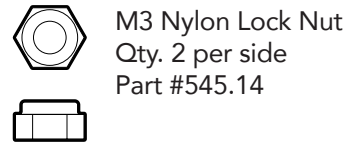
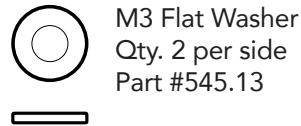
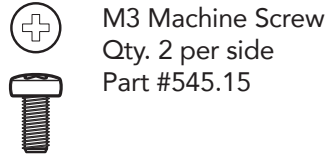
Repeat on both sides of the Jeep.



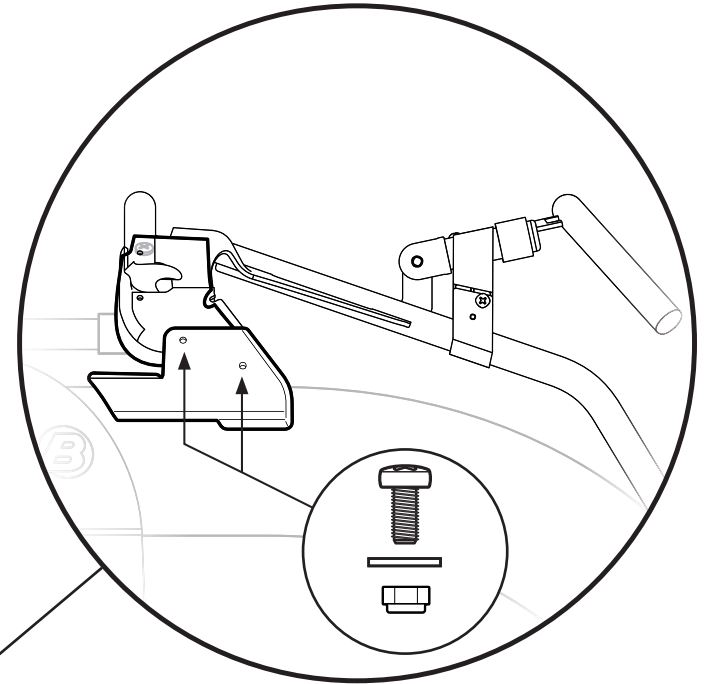
Step 4



Hardware



Step 5



Step 4

Crimp the end of the spring where it passes through the hole in the corner plate, to prevent it from coming loose.

Repeat on both sides of the Jeep.

Step 5

Slide the Cable Pocket back so that it covers the Cable Spring and the #3 Bow corner plate, and so that the holes in the Cable Pocket line up with the holes in the #3 Bow corner plate.

Attach the Cable Pocket to the #3 Bow corner plate with two (2) M3 Machine Screws #545.15, two (2) M3 Flat Washers #545.13, and two (2) M3 Nylon Lock Nuts #545.14.

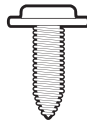
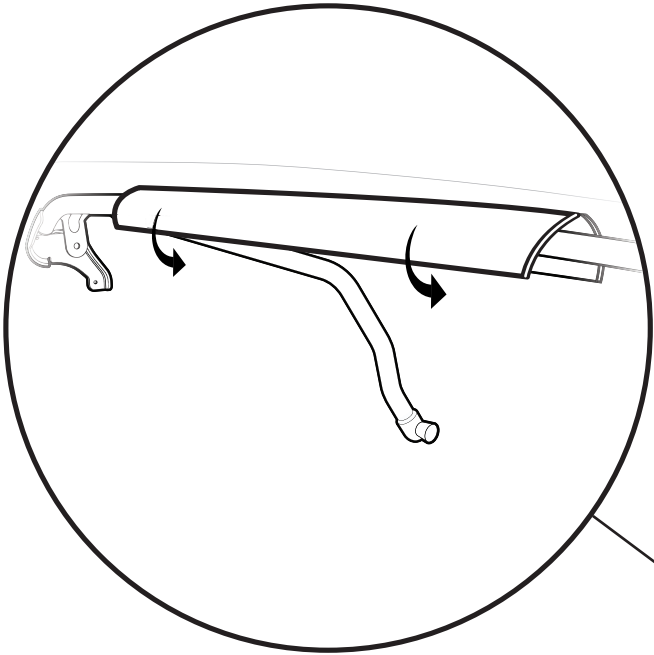
Repeat on both sides of the Jeep.



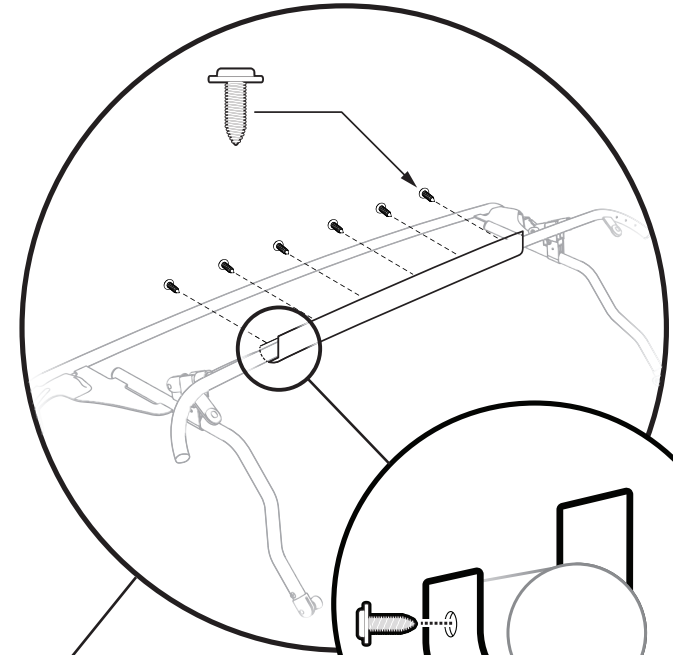
Step 1 #3 Bow Flap

Hardware

Step 2 #4 Bow Flap



#8 x 1/2"
Pan Head
Washer Screw
#393.79
Qty. 8



Step 1

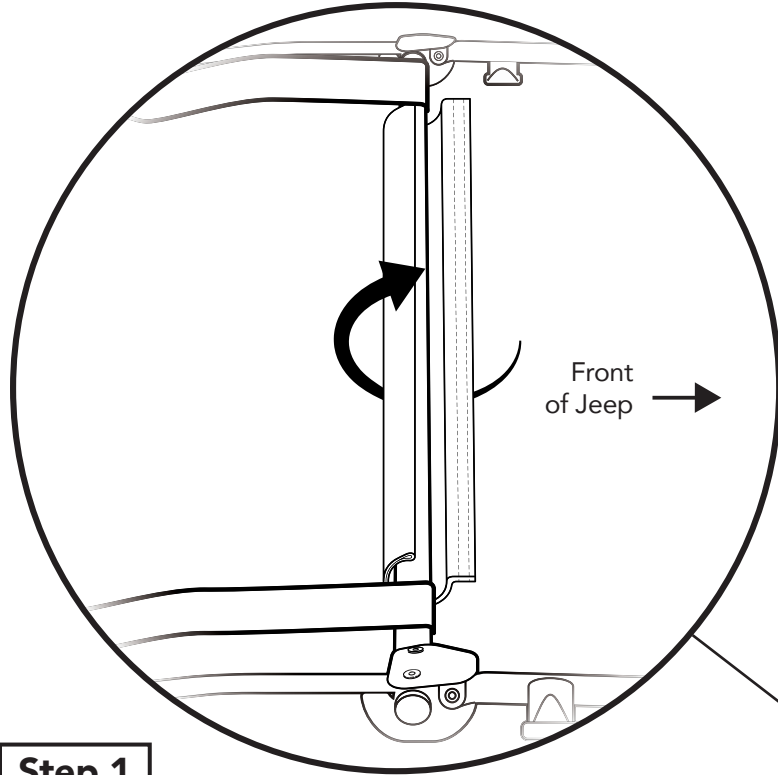
From inside the Jeep, wrap the flaps located above the #3 Bow around the #3 Bow, and secure the hook & loop fabric together.



Step 2

From inside the Jeep, wrap the flaps located above the #4 Bow around the bottom of the #4 Bow, and secure to the front side of the #4 Bow using eight (8) #8 x 1/2" Pan Head Washer Screws #393.79.

Step 1



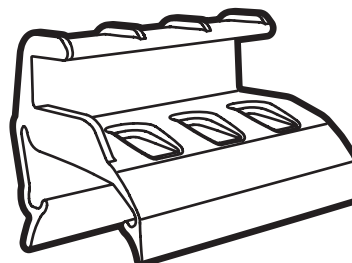
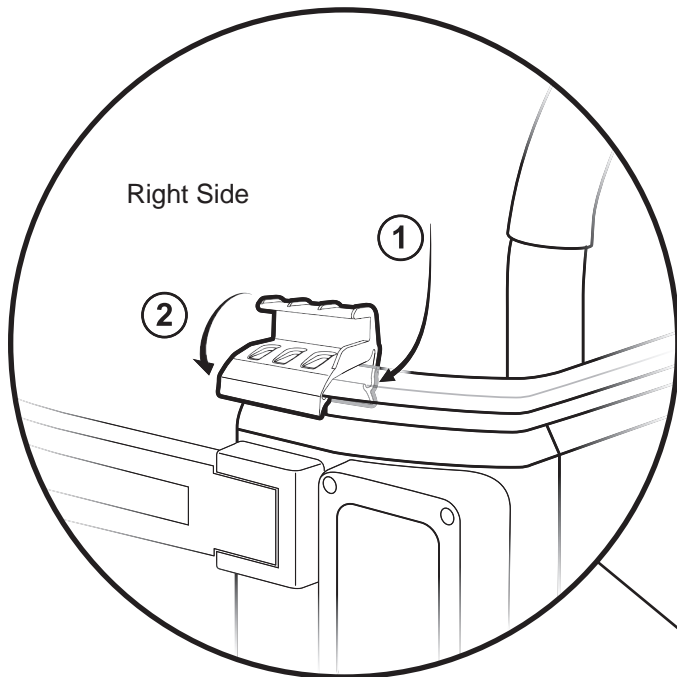
Step 1

From inside the Jeep, wrap the flaps located above the #2 Bow around the #2 Bow, and secure the hook & loop fabric together.

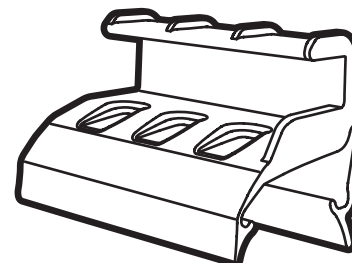


Step 1 539.56 539.57

Hardware



Tailgate Bar Mount - Left
Qty. 1
Part #539.57



Tailgate Bar Mount - Right
Qty. 1
Part #539.56

Step 1

Locate the Left and Right Tailgate Bar Mounts #539.57 and #539.56.

Each mount snaps onto the Jeep belt rail just outboard of the tailgate opening.

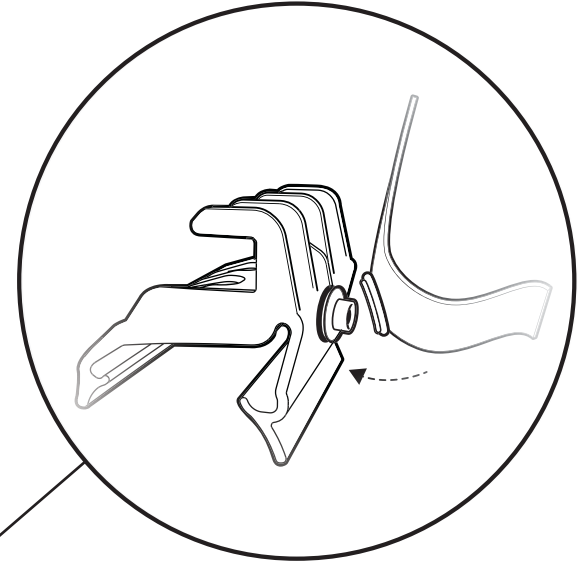
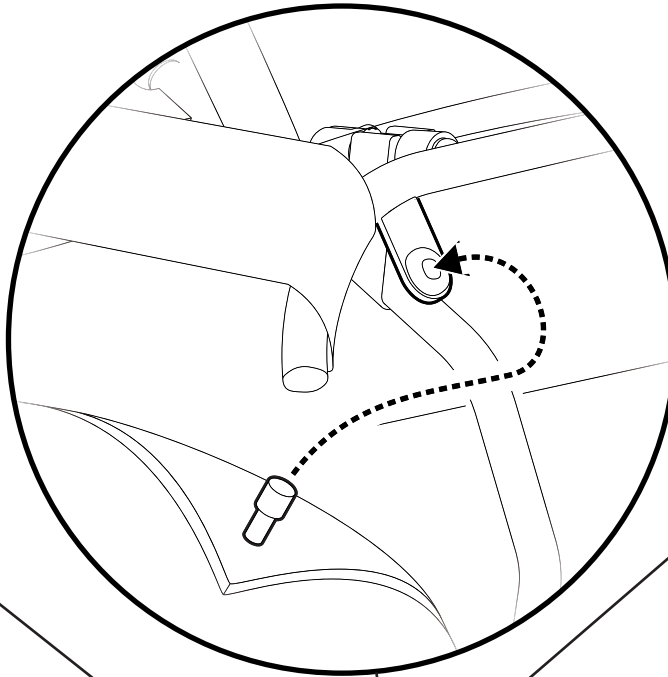
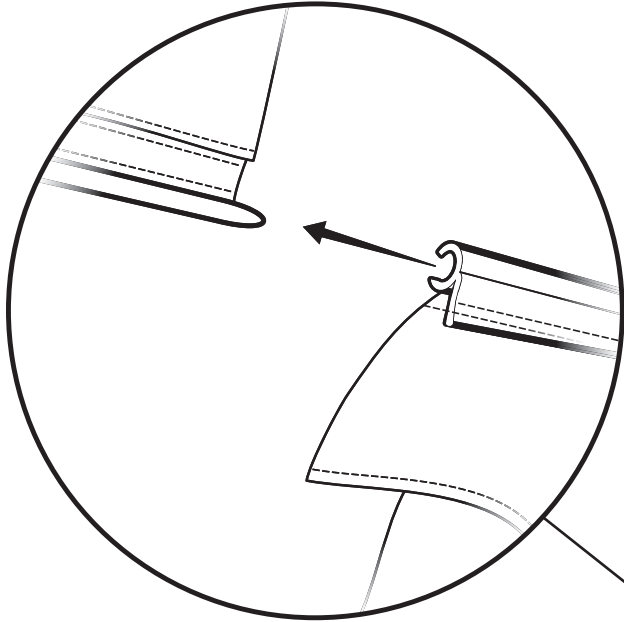
Snap each Tailgate Bar Mount into place by ① hooking the inner catch portion of the mount under the belt rail on the inside, and then ② rolling the mount downward until it snaps into place under the bottom edge of the outside belt rail.



Step 1 Quarter Windows

Step 2

Step 3



Step 1

Locate the plastic channel along the lower edge of the top fabric.

Insert the tapered tip of the sewn-in plastic tube at the top edge of the Quarter Window into the open end of the rear of the channel sewn onto the bottom edge of the top fabric and slide the Quarter Window forward until it stops at the back of the Rear Door Rail.

Step 2

Fold back the top corner of the left Quarter Window and locate the Pin on the inside top corner of the Quarter Window.

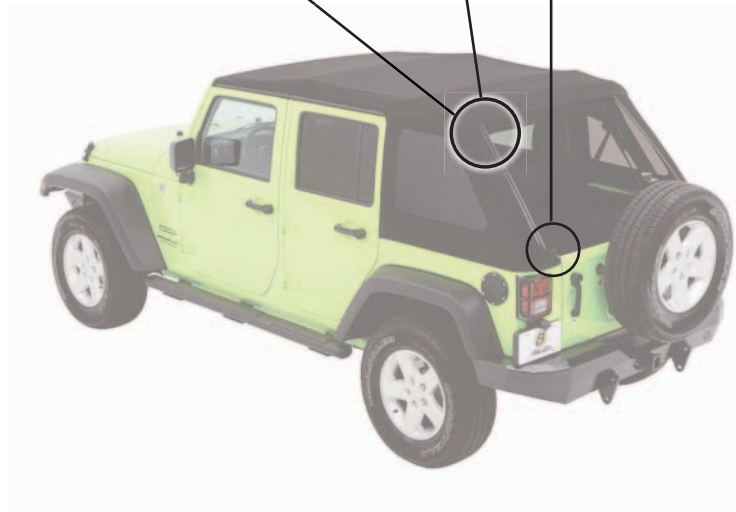
Insert this pin into the grommet on the tab at the left rear side of the #4 Bow.

Repeat on both Quarter Windows.

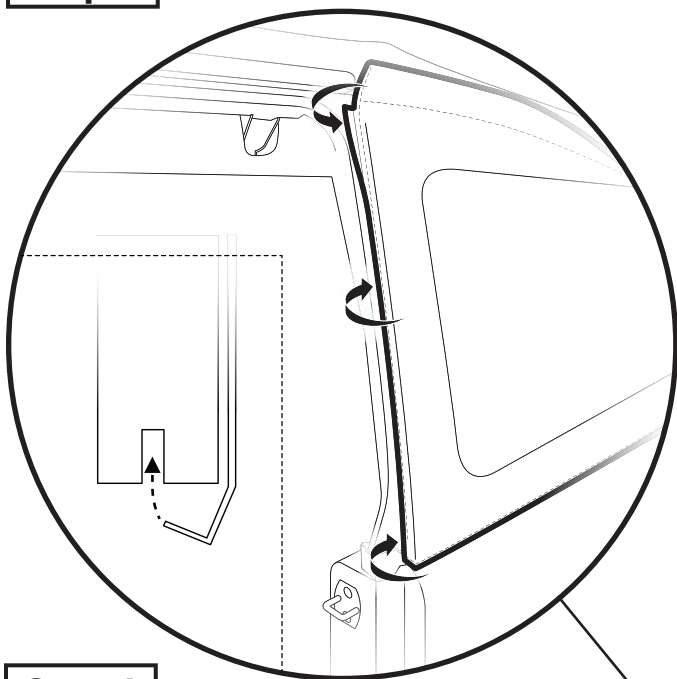
Step 3

Locate the straps with sewn-in snaps at the bottom inside corner of each Quarter Window.

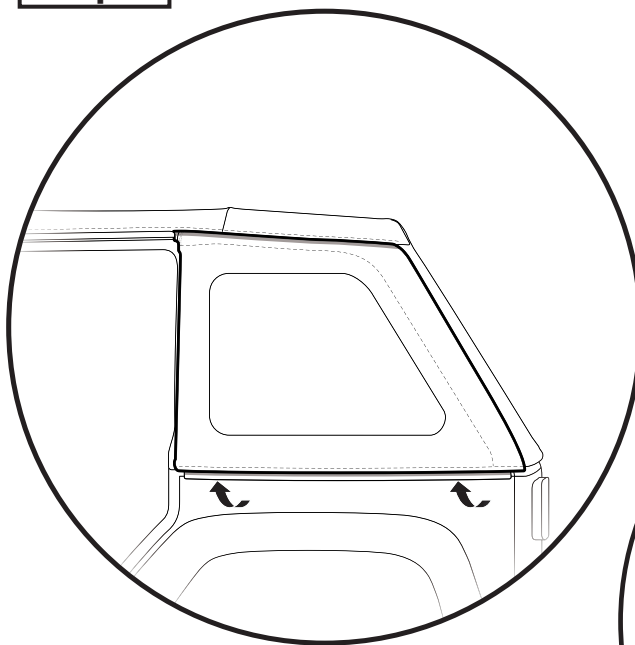
Snap the end of each strap to the snap on the inside of each Tailgate Bar Mount.



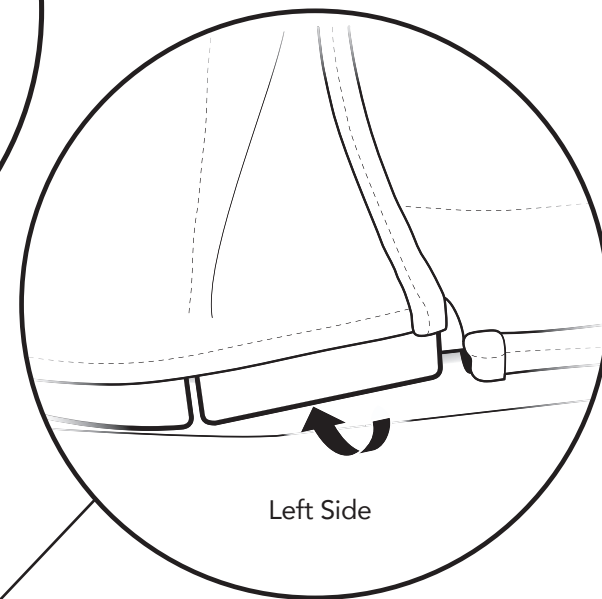
Step 4



Step 5



Step 6



Step 4

Tuck the plastic angle strip along the front edge of the Quarter Window into the vertical channel on the front of the Rear Door Rail. The plastic angle strip and attached fabric must be rolled into place in the channel.

Repeat on both Quarter Windows.

Step 5

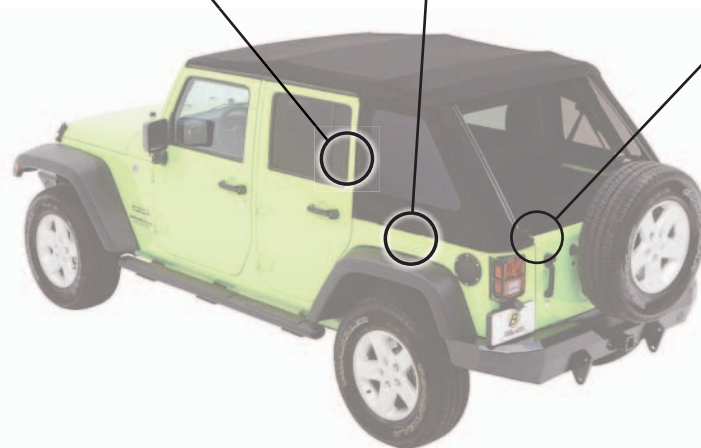
Tuck the plastic strip along the bottom edge of each Quarter Window under the Jeep belt rail, by rolling it up underneath the belt rail.

Repeat on both Quarter Windows.

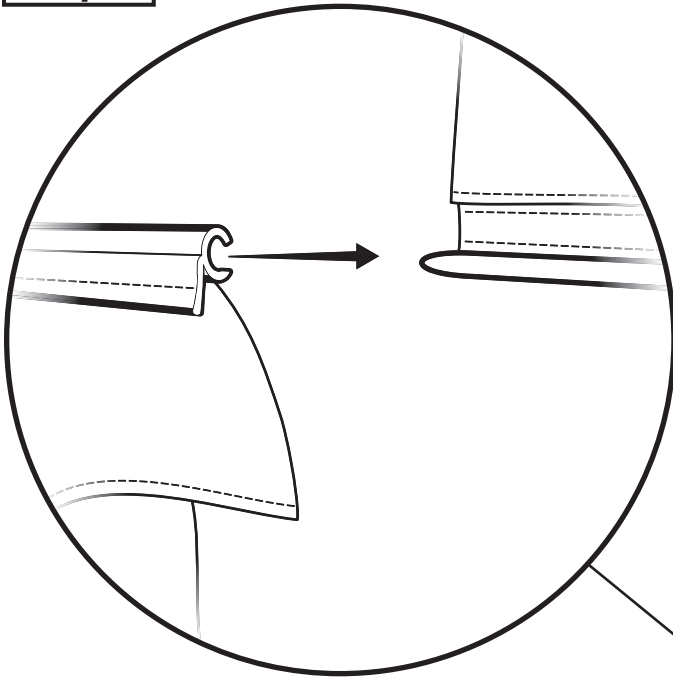
Step 6

Tuck the plastic tabs at the bottom rear corner of the right Quarter Window under the Jeep belt rail, by rolling the tabs up underneath the belt rail.

Repeat on the left Quarter Window.



Step 1

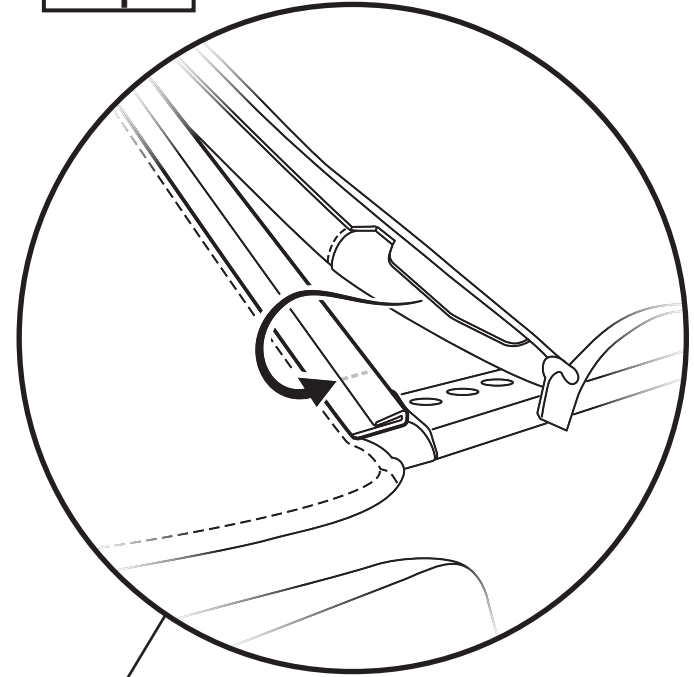


Step 1

Locate the plastic channel along the lower edge of the top fabric at the rear.

Insert the tapered tip of the sewn-in plastic tube on the top edge of the Rear Window into the open end of the channel at the back of the fabric top and slide the Quarter Window to the right until it meets the right end of the channel.

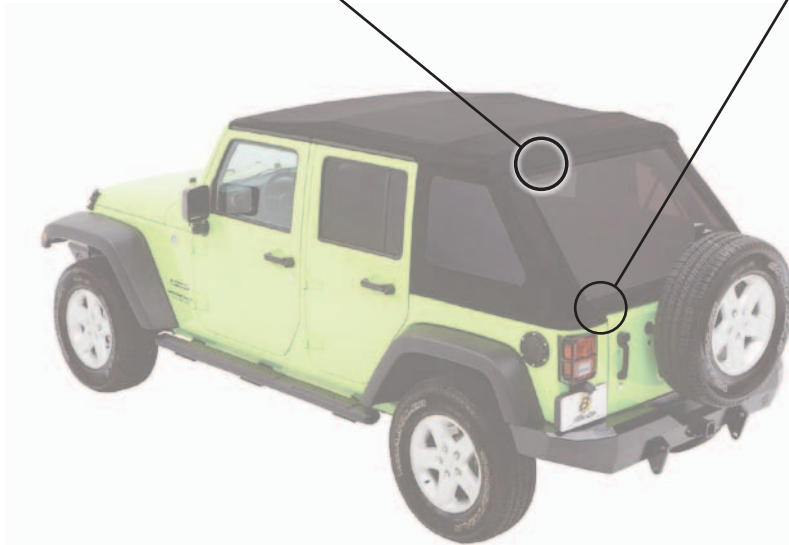
Step 2



Step 2

Locate the plastic channel along the rear inside edge of each Quarter Window.

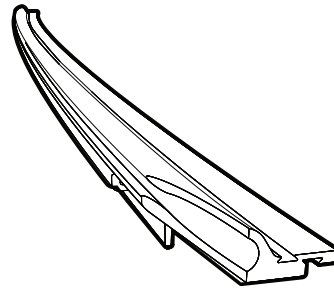
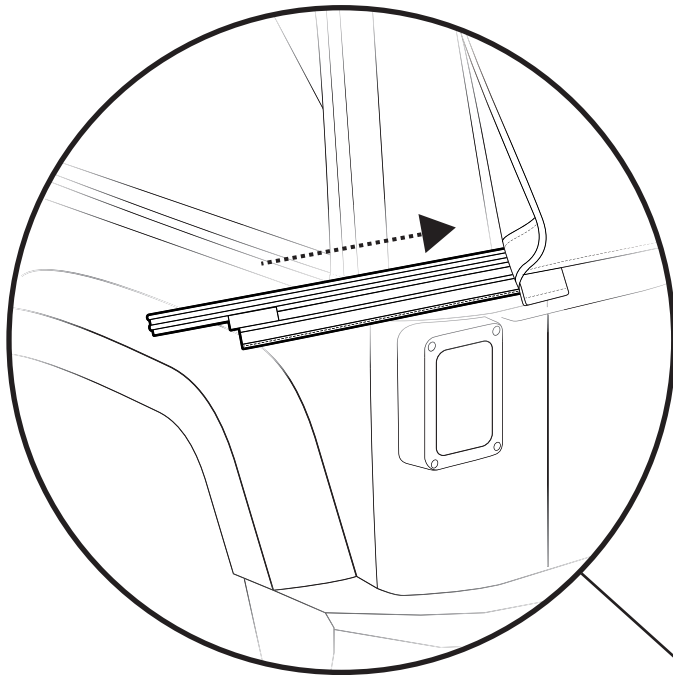
Roll the sewn-in plastic tab on the outside edge of the Rear Window into the open side of the channel, starting either at the top and working down, or at the bottom and working up.



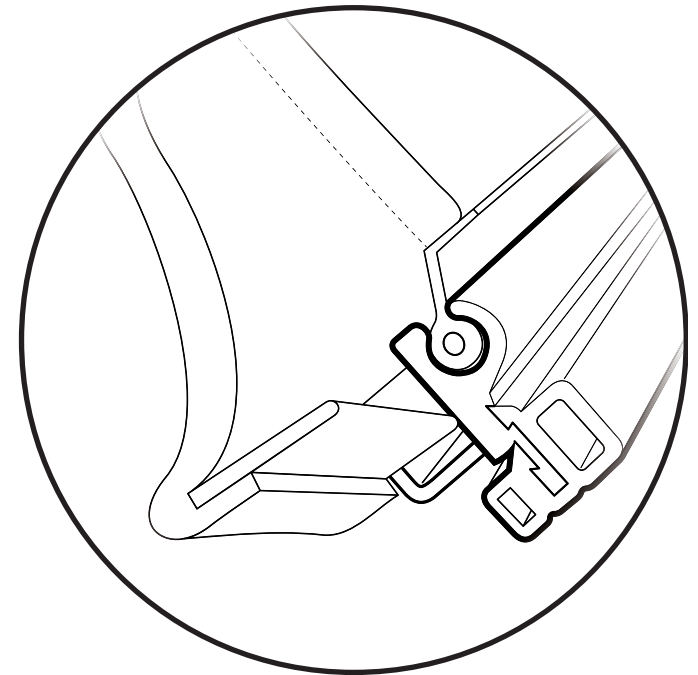
Step 1 538.76

Hardware

Step 2



Tailgate Bar
Qty. 1
Part #538.76

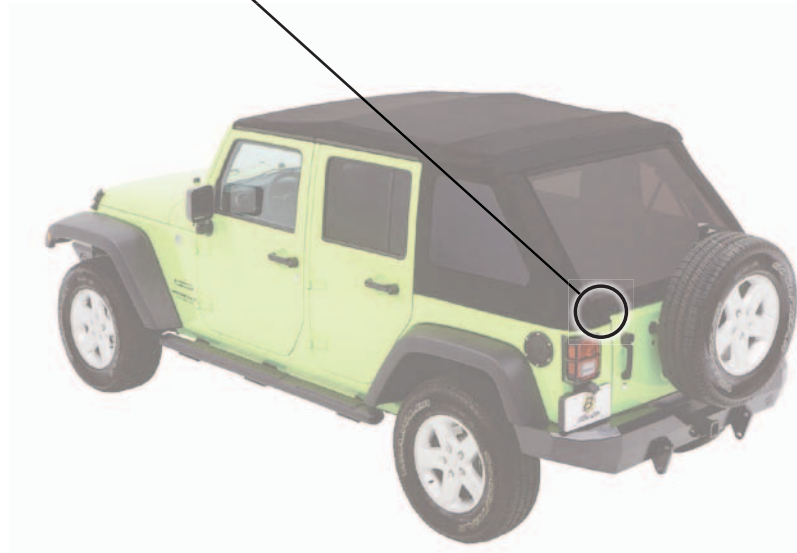


Step 1

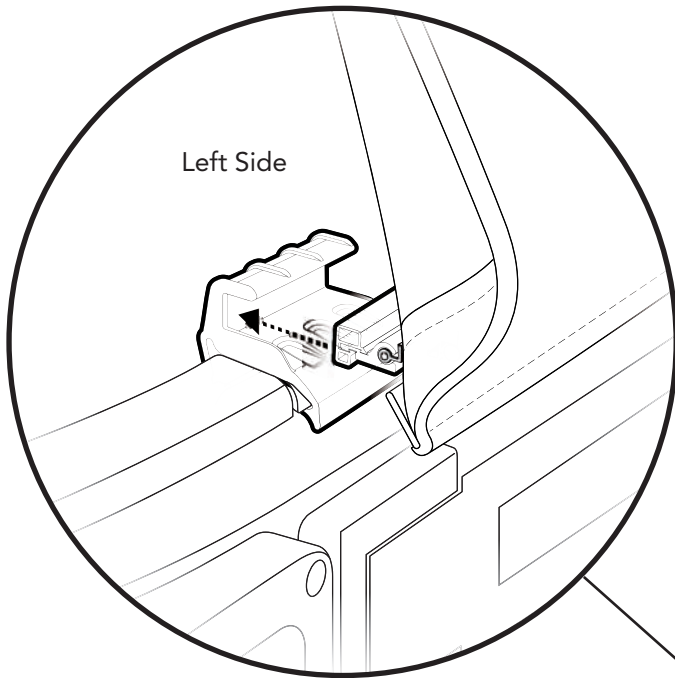
Locate the Tailgate Bar, and slide it onto the tubing attached to the bottom inside of the Rear Window.

Step 2

The round channel on the side of the Tailgate Bar slides over the tubing.



Step 1

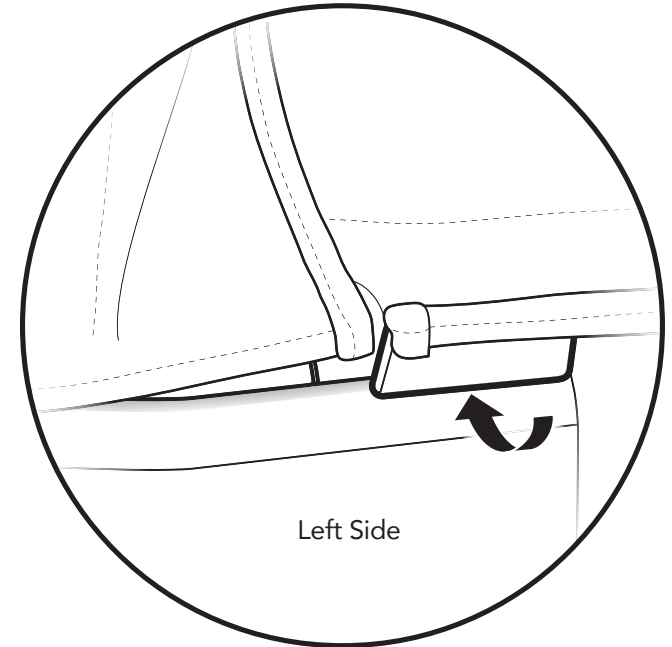


Step 1

Snap the front edge of the Tailgate Bar into the channel on each Tailgate Bar Mount.

Repeat for both sides of the tailgate.

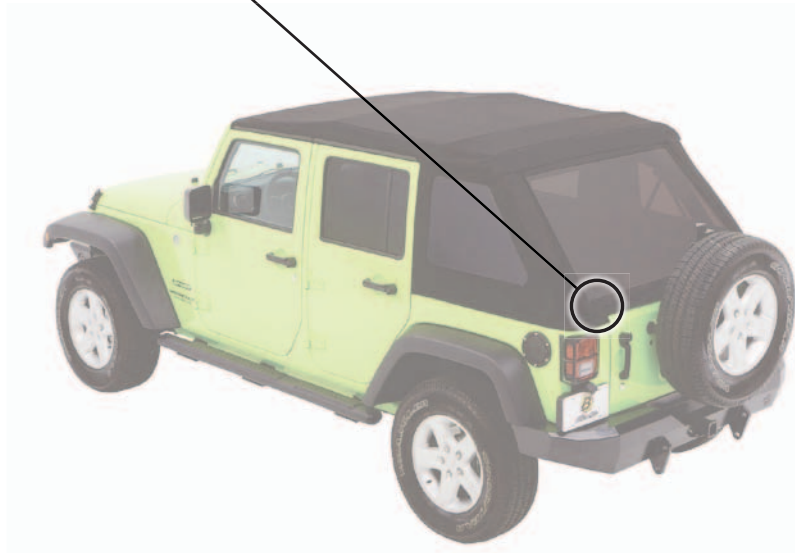
Step 2



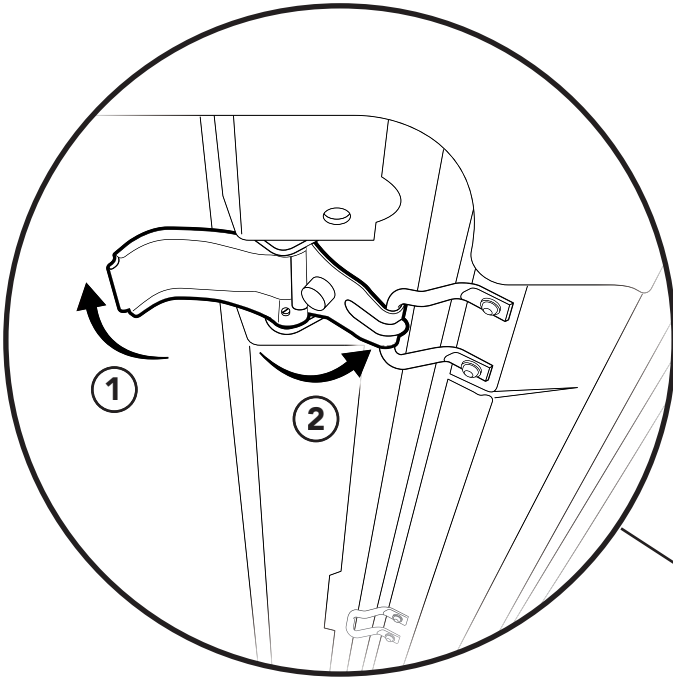
Step 2

Tuck the plastic tab at the bottom right of the Rear Window under the Jeep belt rail, by rolling it up underneath the belt rail.

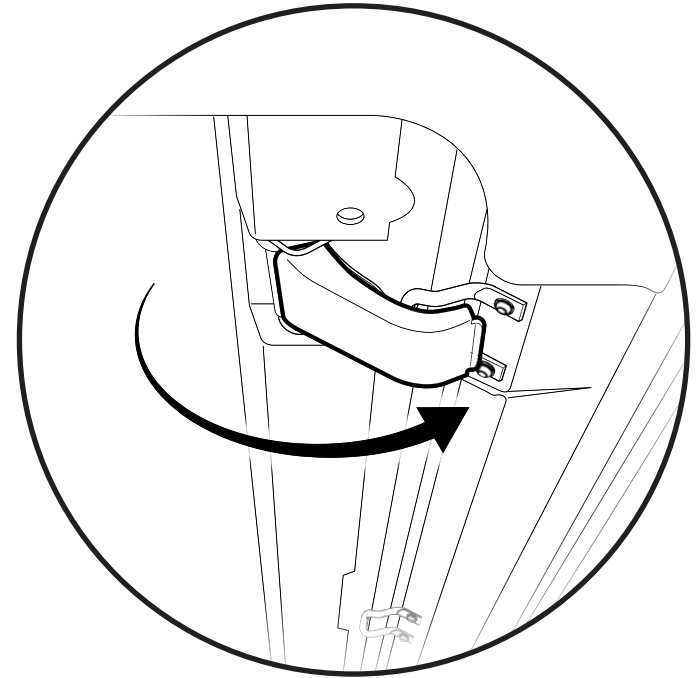
Repeat on the both sides of the Jeep.



Step 1



Step 2



Step 1

From inside the Jeep, locate the two Windshield Header Latches.

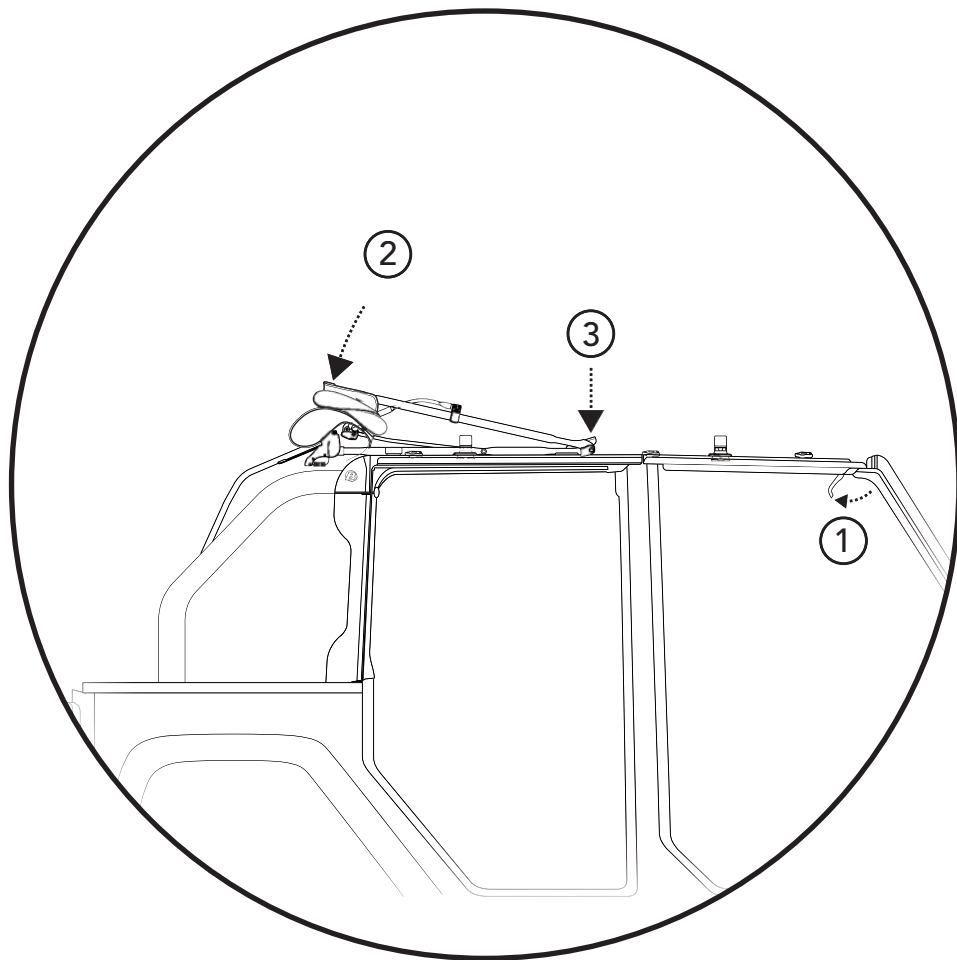
To close the latch, pivot the latch handle to the completely open position to allow the hook to engage the windshield loop. Now pivot the hook forward to engage the windshield loop.



Step 2

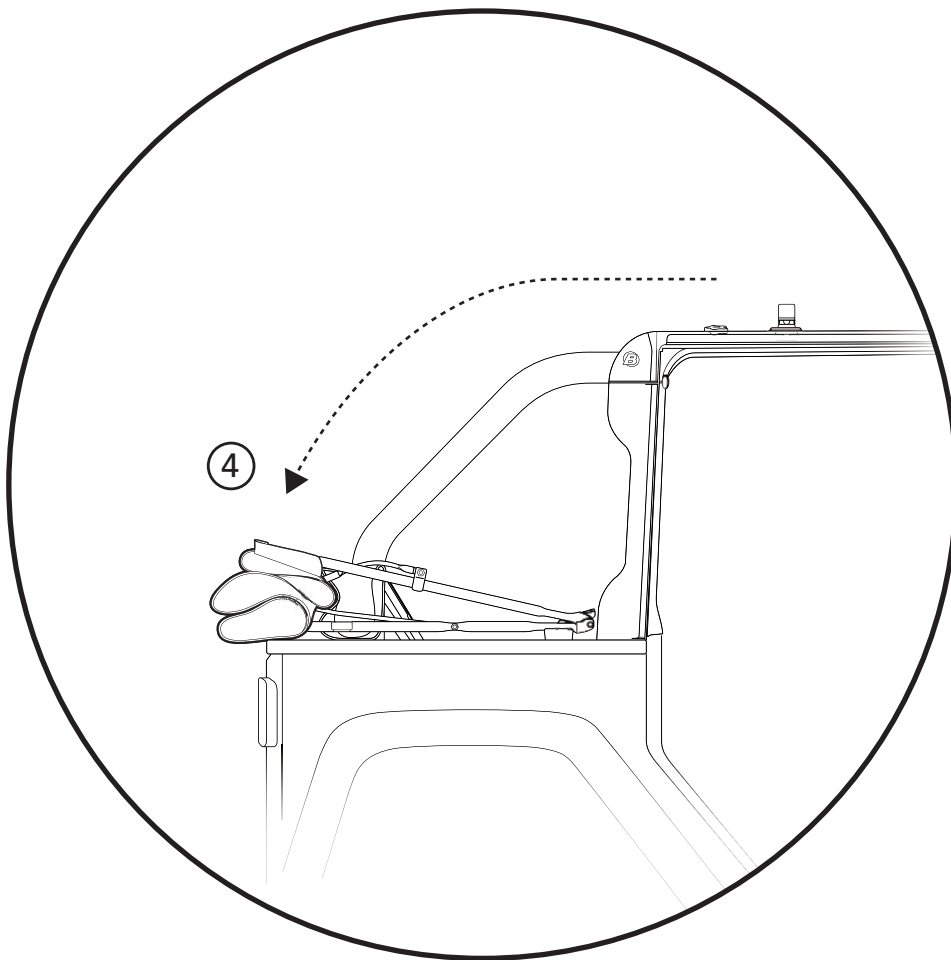
When the hook is engaged with the windshield loop, close the latch by pivoting it forward toward the windshield.

Step 1



Remove the Quarter Windows and the Rear Window, and stow in a secure place to avoid scratches.

Step 2



Release the windshield latches. Fold the front header back, keeping the fabric folded neatly. Push down on the spring catch lever to release the side bows. Release the #3 Bow from the Side Bows by pulling on the spring catch knobs, and disengage the #4 Bow from the Bow Stop.

Lift the fabric and bow assembly and swing it back to the rear of the Jeep, resting the entire assembly on the top edge of the Jeep belt rail. Wrap the fabric around the bows, and tuck the #3 and #4 Bows under the fabric. Tuck fabric in around the edges.



Installation Instructions Trek Top Glide 4-Door

Vehicle Application:
Jeep® Wrangler Unlimited 2007-2017
Part Number 54923

COVERED PRODUCTS AND WARRANTY PERIODS: The warranty time periods are as follows for Products manufactured by Bestop:

BESTOP® LIMITED LIFETIME WARRANTY

Trektop® Pro Twill Fabric Top Sunrider® for Hardtop Twill Fabric Top
Trektop® NX Glide Twill Fabric Top Replace-a-Top™ Twill Fabric Top
Trektop® NX Twill Fabric Top Supertop® NX Twill Fabric Top
EZFold™ Soft Tonneaus Floor & Cargo Liners
ZipRail™ Soft Tonneaus Pet Barriers
EZRoll™ Soft Tonneaus

BESTOP® 5-YEAR LIMITED WARRANTY

Trektop® NX Glide™ Top (non-Twill) Sunrider® for Hardtop (non-Twill) Replace-a-Top™ Top (non-Twill) Trektop® NX Top (non-Twill)
Sailcloth Replace-a-Top™ Supertop® NX Top (non-Twill)
Tigertop™ and Halftop™ Supertop® Classic Soft Top Sunrider® Complete Soft Top Supertop® for Truck
EZ Fold Hard Tonneau

BESTOP® 3-YEAR/100K MILES LIMITED WARRANTY

Powerboard® & Powerboard® NX
Trekstep®, Side Mount
Trekstep®, Rear Mount

BESTOP® 3-YEAR LIMITED WARRANTY

Pavement Ends Sprint Top

BESTOP® 2-YEAR LIMITED WARRANTY

Trektop® Classic Soft Top
RoughRider™ Soft Storage

BESTOP® 1-YEAR LIMITED WARRANTY

All other Bestop® & Pavement Ends™ products not specified above.

For further information or request for warranty work, please contact:

Bestop Inc. Customer Service
Toll-Free: (800)845-3567
Main: (303)465-1755
E-mail: csbestop@Bestop.com
Website: www.Bestop.com