



# Installation Instructions Supertop NX

Compatible with Factory and Bestop 51782 and 51785 Upper Soft Doors.  
**Not Compatible with Factory Steel Doors.**

## Vehicle Application:

- Jeep Wrangler YJ with Factory Steel Lower Half Doors
- 1988 – 1995
- Part Number: 54601

[www.Bestop.com](http://www.Bestop.com) - We're here to help! Visit our web site and click on "[Ask a Question](#)". Click here for more [Jeep® Accessories by Bestop](#).

INSTALLATION TIME	SKILL LEVEL
<p>2 1/2 Hours</p>	<p>2 - Moderately Easy</p>

TOOLS				
<p>Power Drill</p>	<p>Center Punch</p>	<p>Tape Measure</p>	<p>Phillips Screwdriver</p>	<p>Hammer</p>
<p>1/8" Bit</p>		<p>10'</p>	#2 Phillips screwdriver"/> <p>#2</p>	
<p>Pencil</p>	<p>Ratchet</p>	<p>Torx Socket</p>	<p>Safety Glasses</p>	
		<p>#50, #45, #50 Tamper Proof</p>		



## Installation Tips

**Before you begin installing this assembly, read all instructions thoroughly.**

### For a smooth fit:

For ease in installation, the product should be installed at temperatures above 72° F. Below this temperature, the fabric may contract an inch or more, making it difficult to fit to the vehicle. It is normal for fabric to contract and wrinkle when stored in the shipping carton. Within a few days after installation, the fabric will relax and the wrinkles will disappear.



## CAUTION

Safety glasses should be worn at all times while installing this product.



## WARNING

This product is designed primarily to enhance the appearance of the vehicle and to shield the occupants from ordinary weather conditions. Do not rely in any way on the components of this product to contain occupants within the vehicle, or to protect against injury or death in the event of an accident. This product will not protect the occupants from falling objects. Never operate the vehicle in excess of manufacturer's specifications.

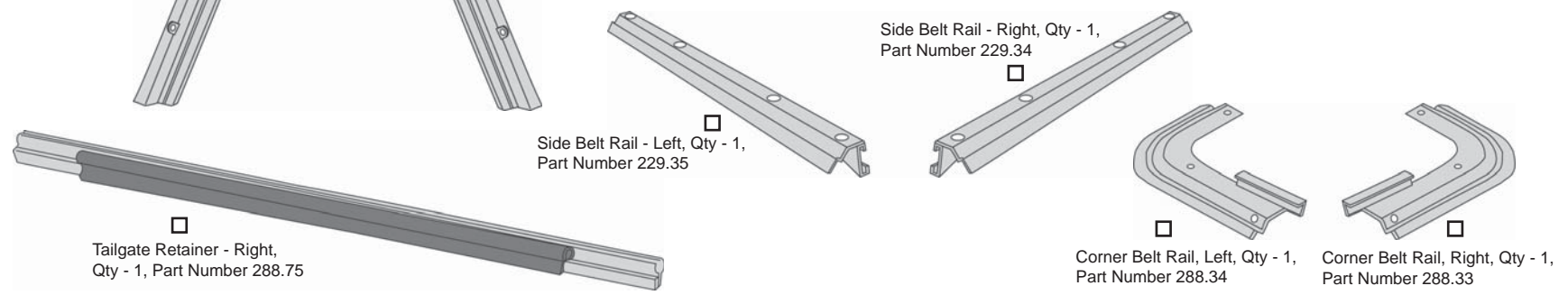
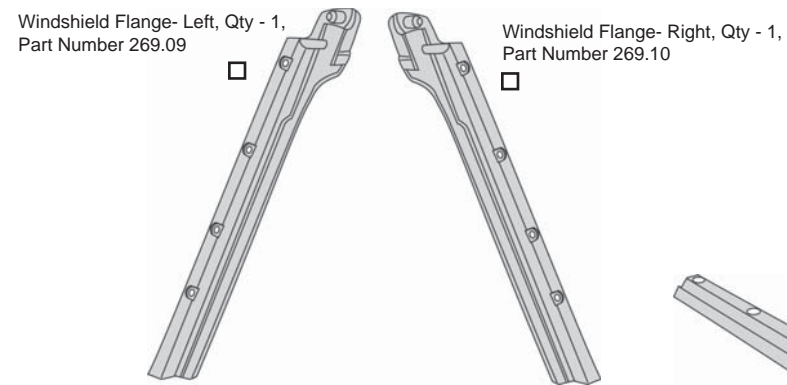
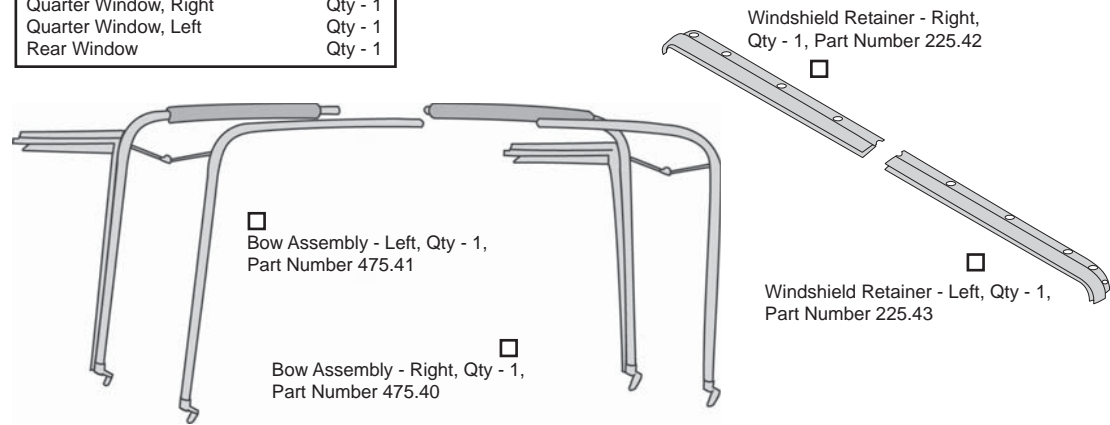
## WEAR SEAT BELTS AT ALL TIMES

Read and follow, precisely, all installation instructions provided when installing product. Failure to do so may result in a poor fit and could place occupants of the vehicle in a potentially dangerous situation.

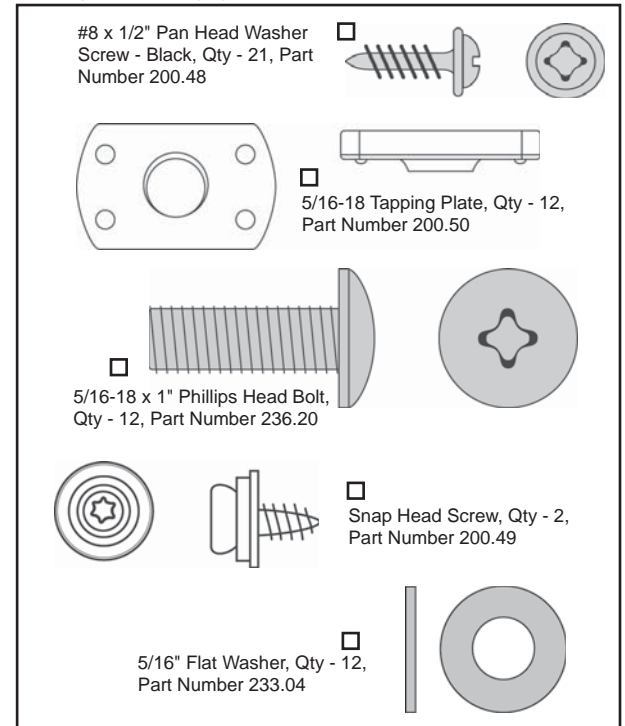
# Supertop NX Installation Instructions

## Parts List and Hardware Identification

Top Fabric	Qty - 1
Quarter Window, Right	Qty - 1
Quarter Window, Left	Qty - 1
Rear Window	Qty - 1



Due to generic packaging, there may be extra parts



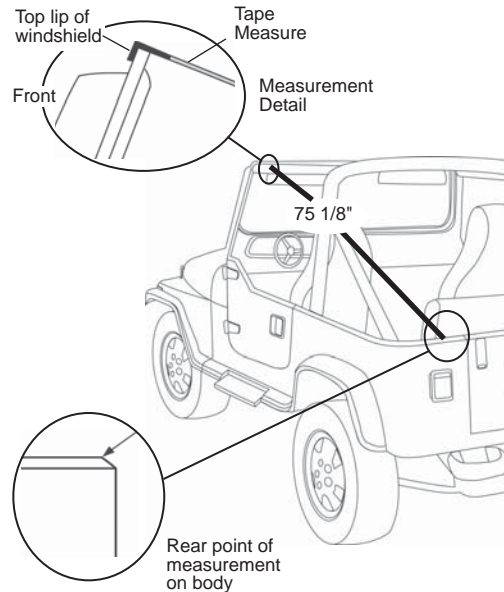
## Supertop NX Installation Instructions

**! WARNING** Improper windshield adjustment will result in poor fitting top and doors, causing looseness or undue strain on the top.

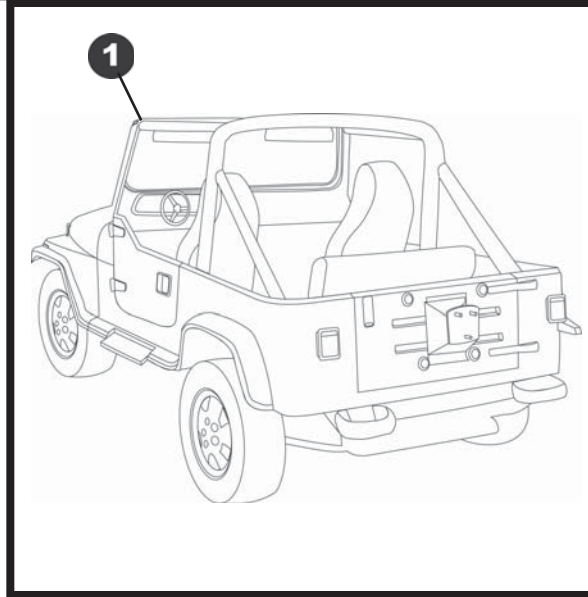
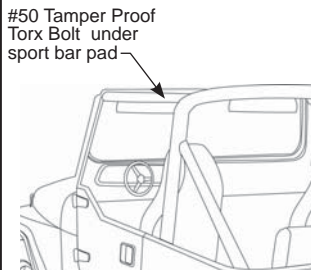
**! WARNING** After adjusting the windshield angle, make sure that the bolts on top of the sport tube and the windshield have been tightened.

### Wrangler Windshield Measurement

Before installing the top, check the windshield measurement. The distance from the top lip of the windshield to the top outer edge of the body must be 75 1/8" on both sides of the vehicle. Measure 4"-6" inside the doors.



**Wrangler/YJ Windshield Adjustment:** If necessary, loosen the #50 Tamper Proof Torx Bolt on top of the side sport bar. Adjust the windshield and tighten the Torx Bolt.



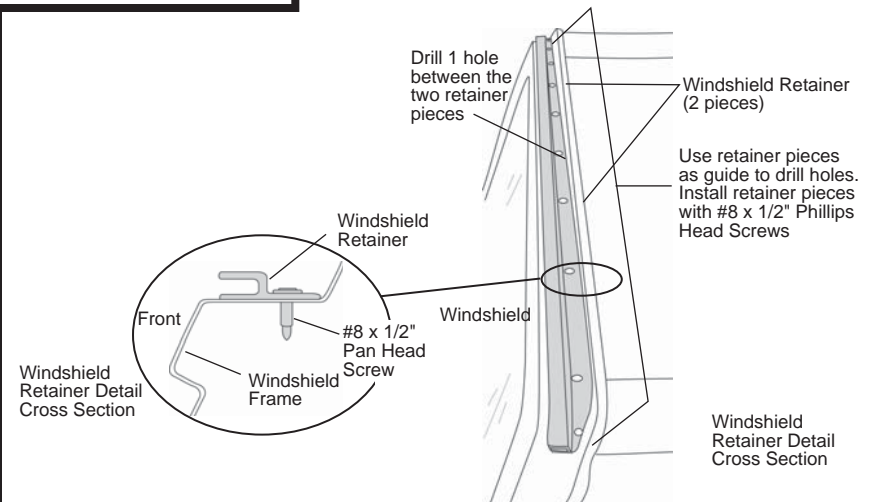
**! WARNING** A loose Windshield Retainer may allow the top to disengage from the windshield, causing damage to the top and possible injury to the occupants of the vehicle.

Make certain that the Windshield Retainer is securely fastened to the windshield during installation and at all other times by checking the tightness of the mounting screws every three months.

Do not use any drill size other than 1/8". Failure to use the correct size may cause the Windshield Retainer to loosen.

### 1 Install Windshield Retainer

Position the two piece Windshield Retainer on top of windshield frame. Use retainer pieces as templates to mark, center punch and drill eleven 1/8" holes. Install with eleven #8 x 1/2" Pan Head Screws.

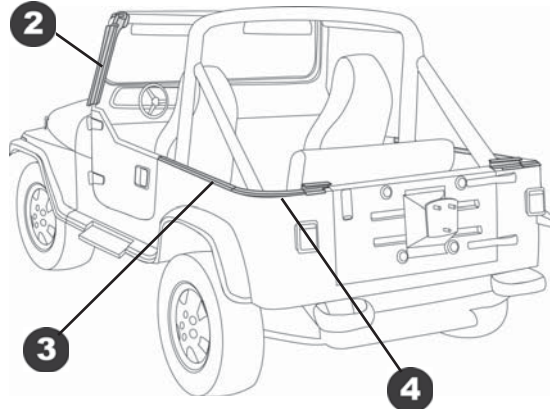
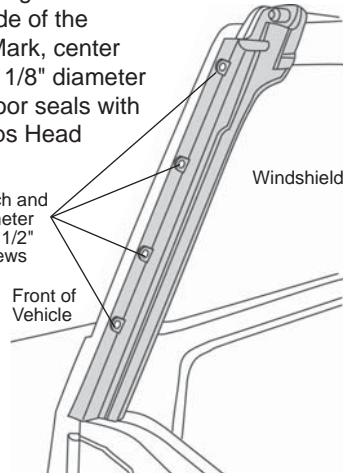


# Supertop NX Installation Instructions

## 2 Install Windshield Flanges

Install the Left and Right Windshield Flanges on each side of the windshield frame. Mark, center punch and drill four 1/8" diameter holes. Install the door seals with four #8 x 1/2" Phillips Head Screws.

Mark, center punch and drill four 1/8" diameter holes. Install #8 x 1/2" Phillips Head Screws



## CAUTION

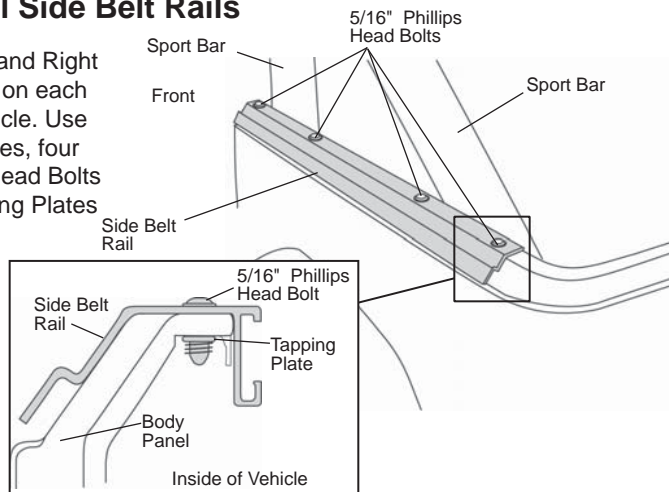
When drilling in the top edge of the vehicle body, check underneath for wiring for the rear lights. Pull the wiring out of the way before drilling.

## 4 Install Rear Corner Belt Rails

Install the Left and Right Rear Corner Belt Rails on each side of the vehicle. Notice that the Corner Belt Rails do not butt-up against the Side Belt Rails installed in Step 3, this is normal. Use the Corner Belt Rails as templates to mark, center punch and drill two 3/8" holes in the top edge of the vehicle body. Some vehicles may already have some of these holes. Install the Corner Belt Rails with two 5/16" Phillips Head Bolts, two 5/16" Washers and two 5/16" Tapping Plates. At the location of the remaining hole in the Corner Belt Rail, next to the tailgate, mark, center punch and drill a 1/8" hole. Install a #8 x 1/2" Pan Head Screw.

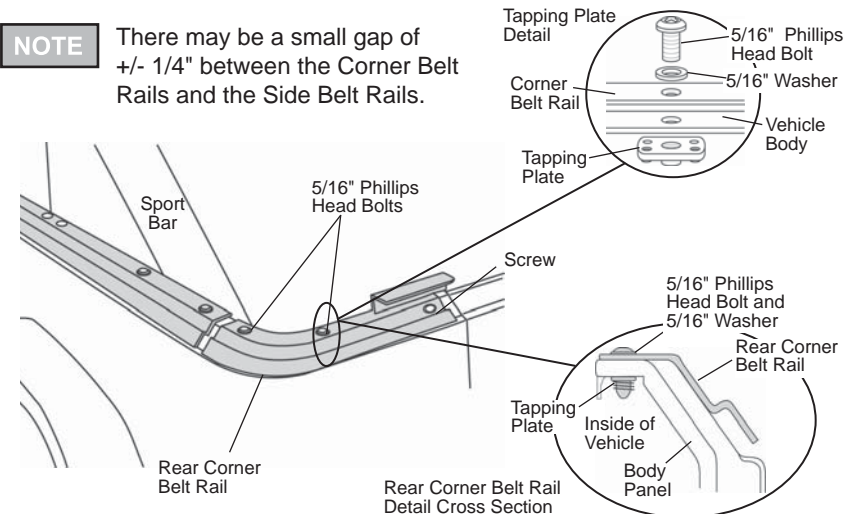
## 3 Install Side Belt Rails

Install the Left and Right Side Belt Rails on each side of the vehicle. Use the existing holes, four 5/16" Phillips Head Bolts and four Tapping Plates on each side.



## NOTE

There may be a small gap of +/- 1/4" between the Corner Belt Rails and the Side Belt Rails.



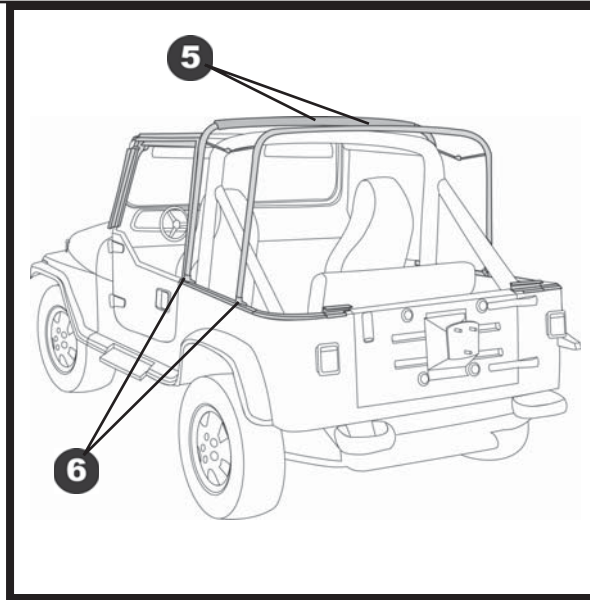
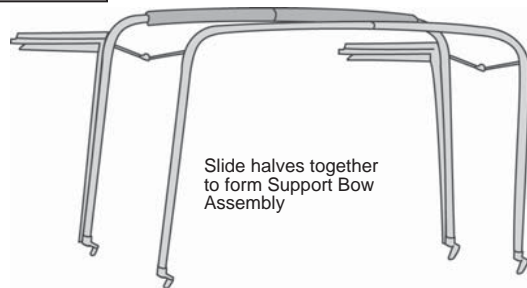
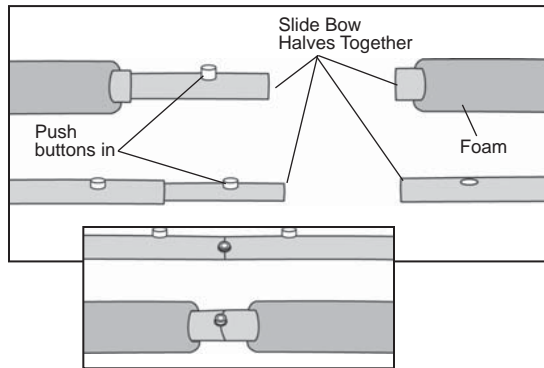


# Supertop NX Installation Instructions

## 5 Assemble Support Bow

Assemble the two halves of the Support Bow. Orient the two pieces to each other and lay them on the floor. Slide the pieces together, pushing down on the buttons. Once the two halves are together install a Snap Head Screw in the hole formed in the center, front of each bow.

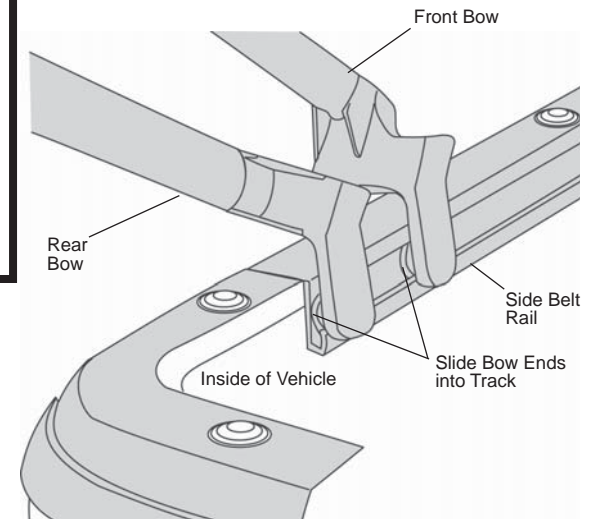
**NOTE** It may be helpful to use a flat screwdriver to push buttons down while sliding bow halves together.



## 6 Install Bow Assembly in Belt Rails

Slide the ends of the front and rear bows into the tracks in the Side Belt Rails on each side of the vehicle. Start from the rear of the vehicle and slide the bow assembly toward the front.

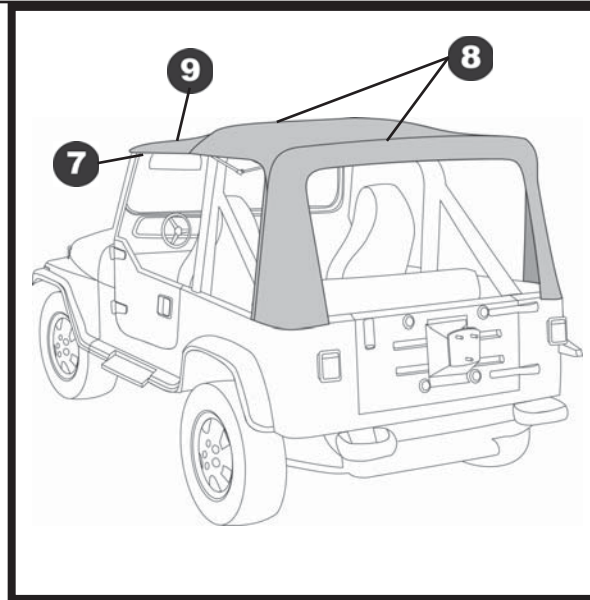
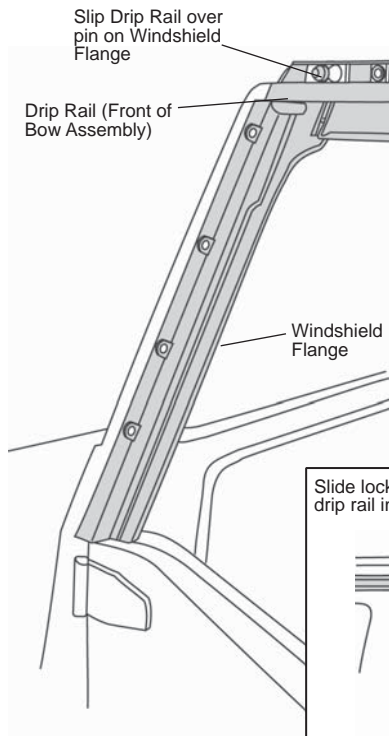
**NOTE** It may be helpful to have two people to slide both sides of the bow assembly forward at the same time.



# Supertop NX Installation Instructions

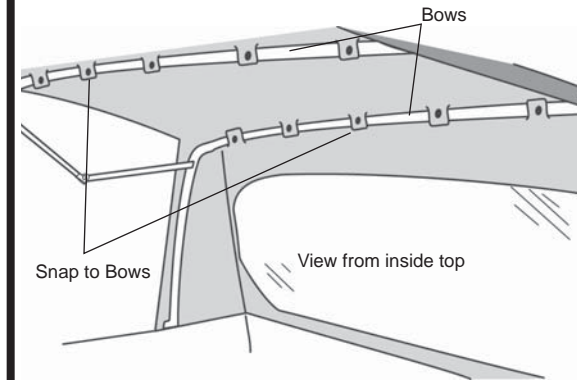
## 7 Secure Bow Assembly to Windshield Flanges

Attach the drip rail at the front of the Bow Assembly to the pin on the Windshield Flange and lock it into place on both sides of the vehicle.



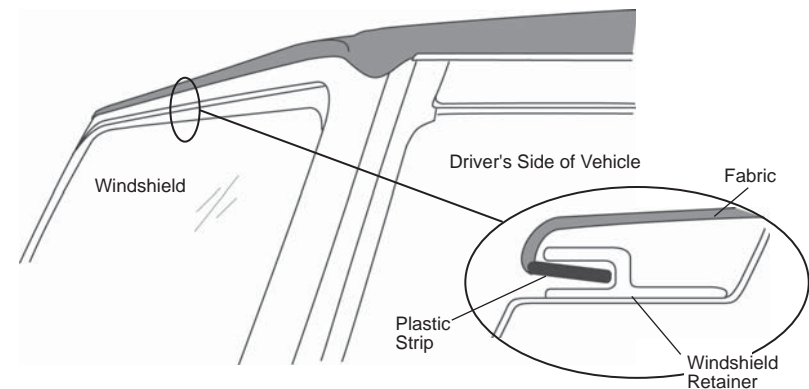
## 8 Snap Top Fabric to Bows

Locate the top and orient it on the vehicle. Start with the outside snaps and snap it to the Bows.



## 9 Secure Top Fabric to Windshield

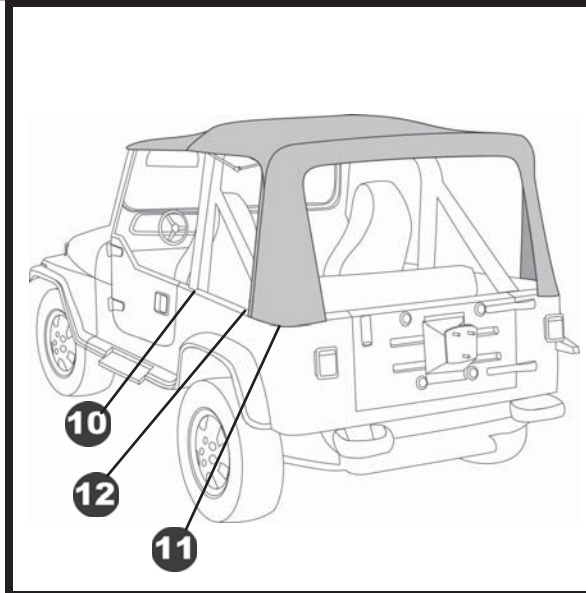
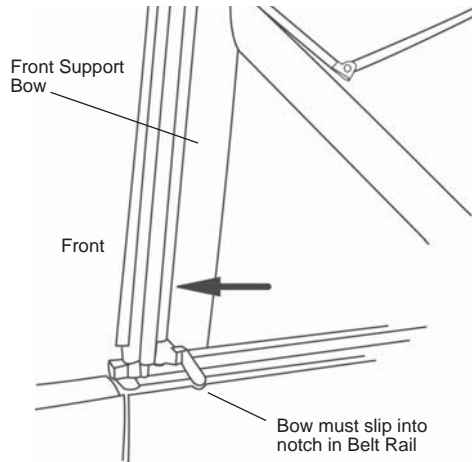
Insert front of Top into Windshield Retainer.



# Supertop NX Installation Instructions

## 10 Slide Support Bow

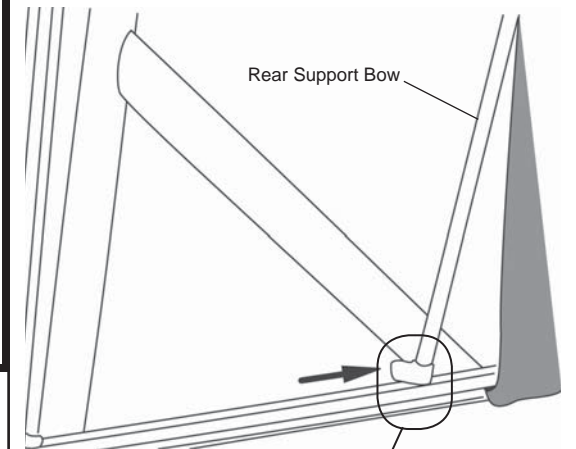
Push Front Support Bow all the way forward.



## 12

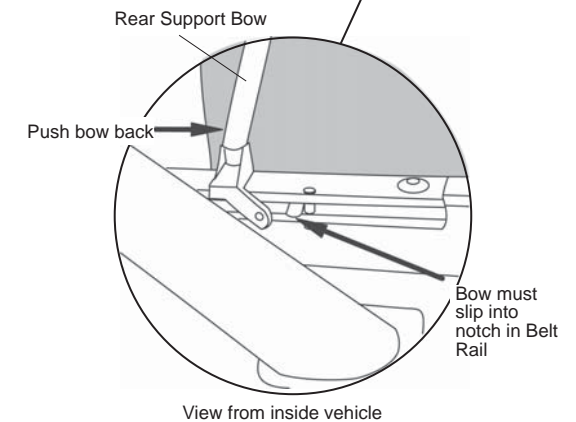
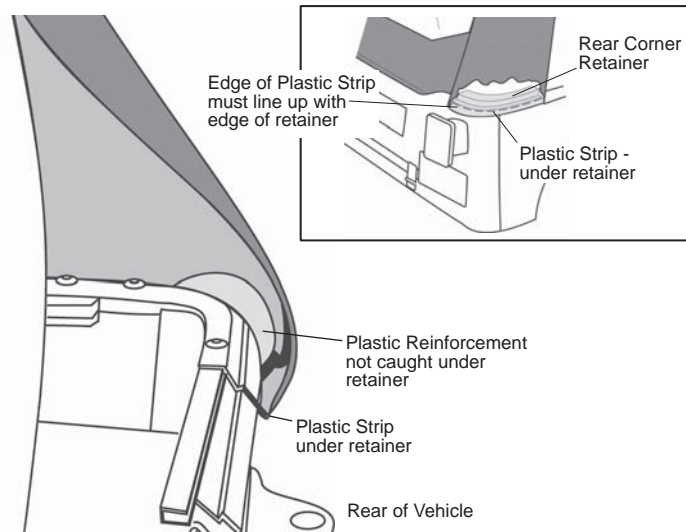
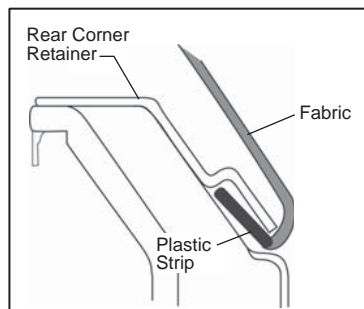
Pull the bottom of the Rear Support Bow back until it snaps into the notch in the Side Belt Rail.

**NOTE** Zippers must not be caught or folded behind Rear Support Bow.



## 11 Secure Rear Corners

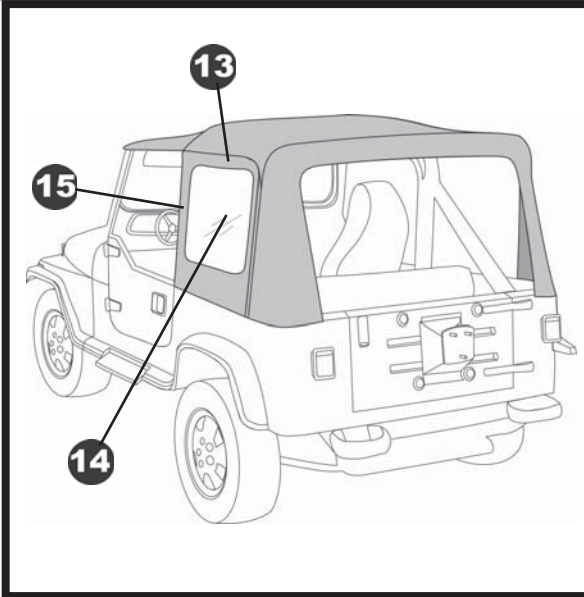
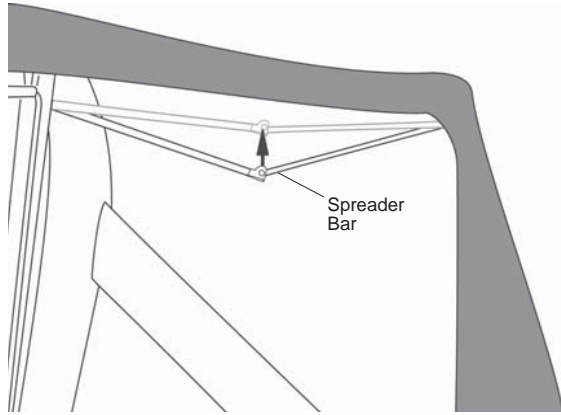
Insert rear corners of Top into Rear Corner Retainers.



# Supertop NX Installation Instructions

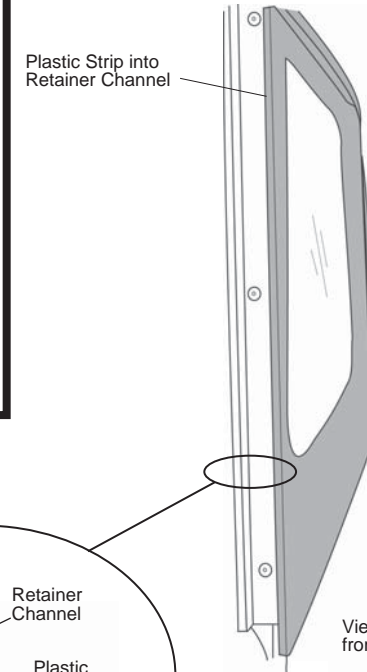
## 13 Tension Top Fabric

While pushing the lock buttons, push the spreader bars up until they snap into place. Do not push past horizontal.



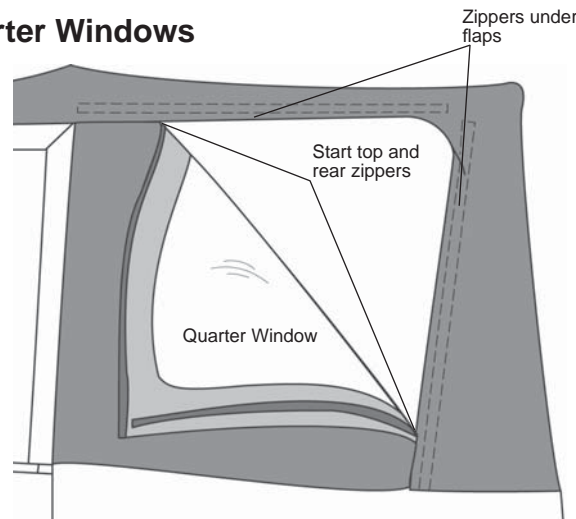
## 15 Secure Front of Quarter Windows

Slip the plastic strip on the front of the Quarter Window into the retainer channel on the Front Support Bow.



## 14 Install Quarter Windows

Start the zippers 2-3 inches on the top and rear of the Quarter Windows.

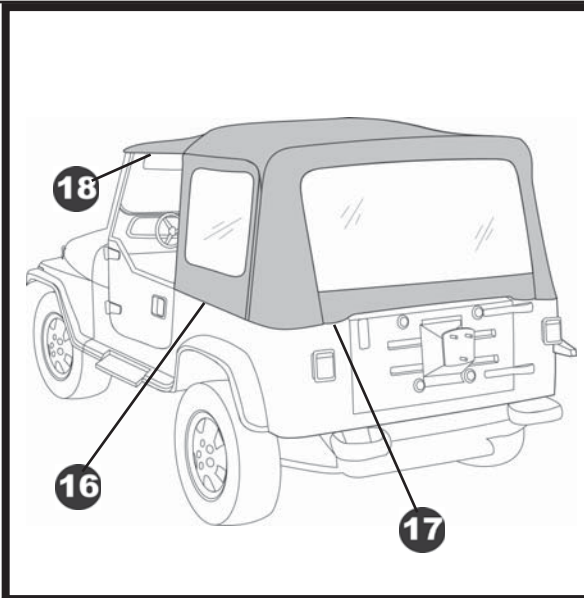
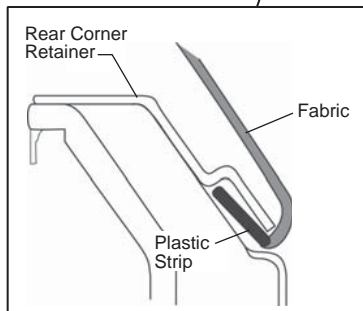
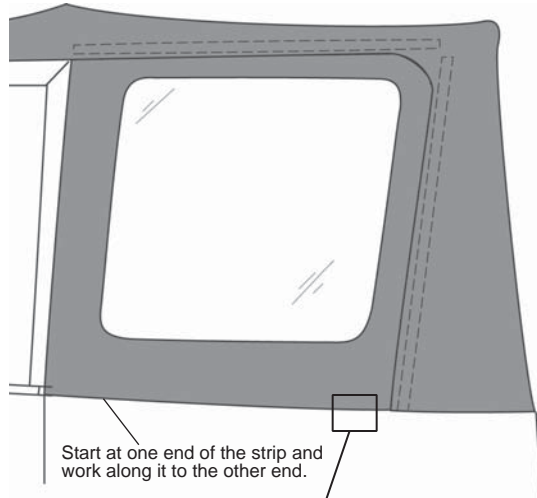




# Supertop NX Installation Instructions

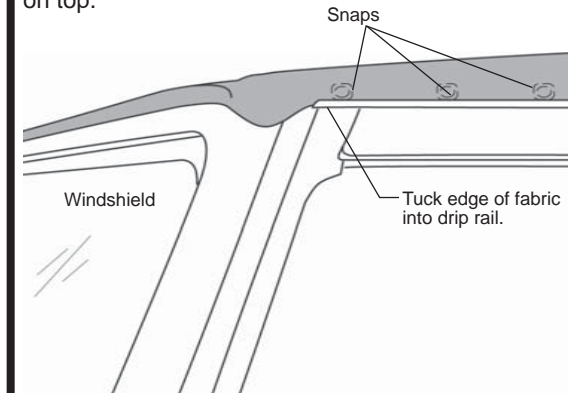
## 16 Secure Bottom of Quarter Windows

Slip the plastic strip on the bottom of the Quarter Windows into the Side Retainers. Close the top and rear zippers on the Quarter Windows.



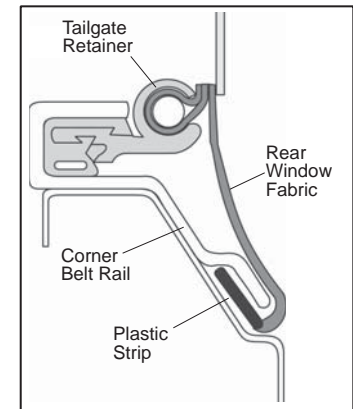
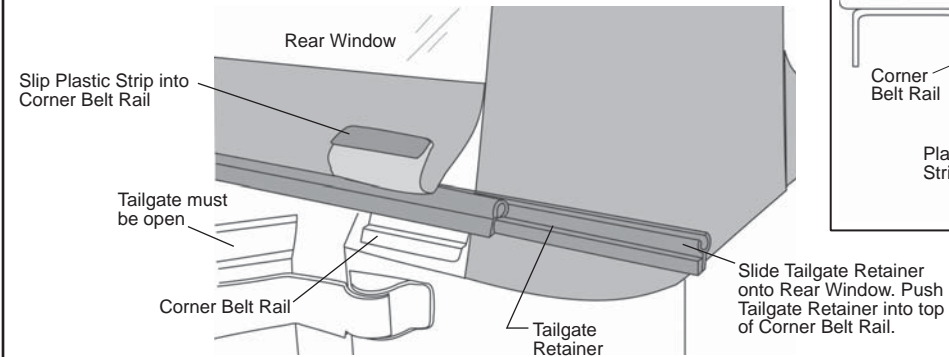
## 18 Secure Top Fabric Above Doors

Fasten snaps on top, above doors, to studs on vehicle. Studs will slide to match location of snaps on top.



## 17 Install Rear Window

Open the tailgate. Slide the Tailgate Retainer onto the bottom of the Rear Window. Close the Rear Window zippers. Push the Tailgate Retainer into the top of the Corner Belt Rails. Slip the plastic on the bottom of the fabric under the bottom of the Corner Belt Rails.



# Supertop NX Installation Instructions

## Care and Maintenance of your Bestop Product

Your Bestop product is made of the finest materials available. To keep it looking new and for the maximum possible wear, it will need periodic cleaning and maintenance.

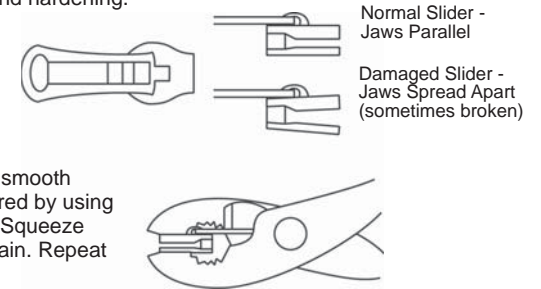
**Fabric:** The fabric should be washed often using soap, warm water and a soft bristle brush. Rinse with clear water to remove all traces of soap or use Bestop-recommended Bestop Cleaner and Bestop Protectant. Bestop Cleaner and Bestop Protectant are specially formulated to provide a total cleaning and protection system. Bestop Cleaner will not harm vehicle finish, is biodegradable and environmentally friendly. Bestop Protectant protects against UV-fading, cracking and hardening.

**Windows:** Keep windows clean to avoid scratching. DO NOT use a brush on the windows! Wash with a water-soaked cloth or sponge and a mild dishwashing detergent or use Bestop-recommended Bestop Vinyl Window Cleaner, which safely cleans and protects vinyl windows while helping prevent UV damage. NEVER WIPE THE WINDOWS WHEN THEY ARE DRY. Be careful when cleaning snow or frost from the vinyl windows since they are easily scratched and may crack at low temperatures. DO NOT roll the sides or rear window in cold weather. The windows become stiff and will crack. Cracks caused by misuse in cold temperatures are not covered under warranty.

**Zippers:** Keeping the zipper cleaned and lubricated with a silicone lubricant will help prevent damage and keep the zippers in a smooth working condition. If a zipper opens behind the slider, the slider may have been spread apart. This problem can usually be repaired by using an ordinary pair of pliers to bring the sides back into parallel. Return slider to the end of the zipper in the normal Open position. Squeeze lightly at first and test the zipper. If the zipper continues to remain open squeeze more firmly with the pliers and try the zipper again. Repeat this procedure until the zipper operates correctly.

**Water:** Seeping through at the seams may be stopped by applying 3-M Scotchgard® on the inside of the seams. Rips in the fabric may be repaired with Bondex® iron on patches. Iron the patches to the Inside of the top, carefully following the Bondex® instructions.

**Snaps:** Keep snaps cleaned and lubricated with silicone to help prevent snaps from sticking to the studs. If a snap does become stuck to a stud, use a screwdriver and GENTLY pry apart to prevent permanent damage to the snap or the top fabric.



## LIMITED WARRANTY

We warrant our product to be free from defects in material and workmanship, for the terms specified below, provided there has been normal use and proper maintenance. This warranty applies to the original purchaser only. All remedies under this warranty are limited to the repair or replacement of any item or items found by the factory to be defective within the time period specified. If you have a warranty claim, first you must call our factory at the number below for instructions. You must retain proof of purchase and submit a copy with any items returned for warranty work. Upon completion of warranty work, if any, we will return the repaired or replaced item or items to you freight prepaid. Damage to our products caused by accidents, fire, vandalism, negligence, misinstallation, misuse, Acts of God, or by defective parts not manufactured by us, is not covered under this warranty.

THE WARRANTY TIME PERIOD IS AS FOLLOWS FOR REPLACE-A-TOP™, SAILCLOTH REPLACE-A-TOP™, SUPERTOP®, SUPERTOP® REPLACEMENT SKINS, SUNRIDER®, AND TIGERTOP®: TWO YEARS FROM DATE OF PURCHASE.

THE WARRANTY TIME PERIOD IS AS FOLLOWS FOR ALL OTHER "SOFT GOODS" MANUFACTURED BY OUR COMPANY (USING PRIMARILY VINYL, PLASTICS, AND/OR FOAM): ONE YEAR FROM DATE OF PURCHASE.

THE WARRANTY TIME PERIOD IS AS FOLLOWS FOR ALL OTHER "HARD GOODS" MANUFACTURED BY OUR COMPANY (USING PRIMARILY METALS, PLASTICS, AND/OR FIBERGLASS): ONE YEAR FROM DATE OF PURCHASE.

ANY IMPLIED WARRANTIES OF MERCHANTABILITY AND/OR FITNESS FOR A PARTICULAR PURPOSE CREATED HEREBY ARE LIMITED IN DURATION TO THE SAME DURATION AND SCOPE AS THE EXPRESS WRITTEN WARRANTY. OUR COMPANY SHALL NOT BE LIABLE FOR ANY INCIDENTAL OR CONSEQUENTIAL DAMAGE.

Some states do not allow limitations on how long an implied warranty lasts, or the exclusion or limitation of incidental or consequential damages, so the above limitations or exclusions may not apply to you. This warranty gives you specific legal rights, and you may also have other rights which vary from state to state.



For further information or request for warranty work, please contact:  
Bestop Inc., Customer Service  
Toll-Free: (800)845-3567  
Main: (303)465-1755  
E-mail: [csbestop@Bestop.com](mailto:csbestop@Bestop.com)  
Website: [www.Bestop.com](http://www.Bestop.com)