

BESTOP

Installation Instructions

For: **Jeep® '97 "TJ" Wrangler Header Safari Bikini**

Part Number 52531

To be used with or without Soundbar

To be used with or without Door Side Rails

Congratulations on your purchasing decision. Bestop designed this Convertible Top to give you years of dependability and performance with proper care. If you encounter any problems during the installation of your Convertible Top, or at any later date, please contact your authorized Bestop dealer or call our Consumer Response Department, Monday - Friday 7AM - 5PM (MST) at 1-800-845-3567 or (303) 465-1755 in Colorado.

Note: Must be used with a TJ Header Windshield Kit Part Number 51235-01.

WARNING

This product is designed primarily to enhance the appearance of the vehicle and to shield the occupants from ordinary weather conditions. Do not rely in any way on the components of this product to contain occupants within the vehicle, or to protect against injury or death in the event of an accident. This top will not protect the occupants from falling objects. Never operate vehicle in excess of manufacturer's specifications.

WEAR SEAT BELTS AT ALL TIMES

Read and follow, precisely, all installation instructions provided when installing top. Failure to do so may result in a poor fitting top and could place occupants of the vehicle in a potentially dangerous situation.

Installation Tips

Before you begin installing this Bikini top, read all instructions thoroughly. Below are a few tips to make this installation easier.

For a smooth fit:

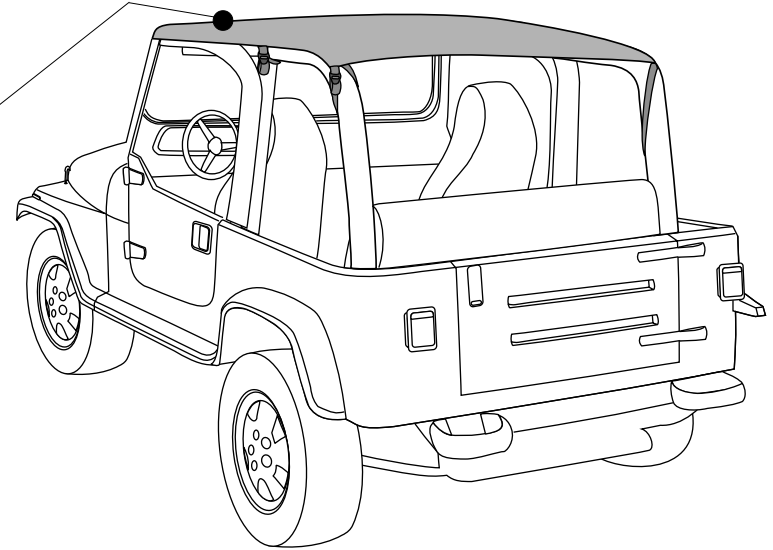
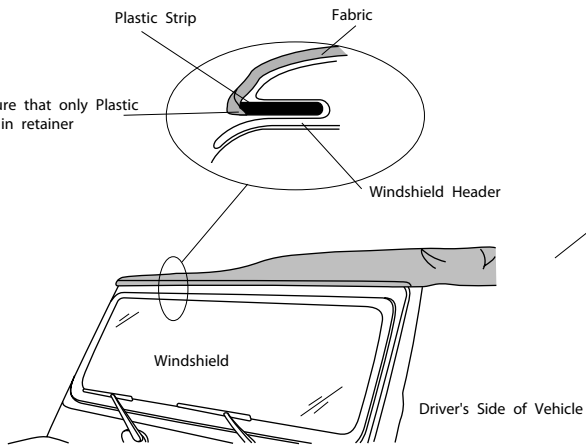
For ease in installation, the top should be installed at temperatures above 72 ° F. Below this temperature, the top may contract an inch or more, making it difficult to fit to the vehicle.

It is normal for a top to contract and wrinkle when stored in the shipping carton. Within a few days after the installation, the top will relax and the wrinkles will disappear.

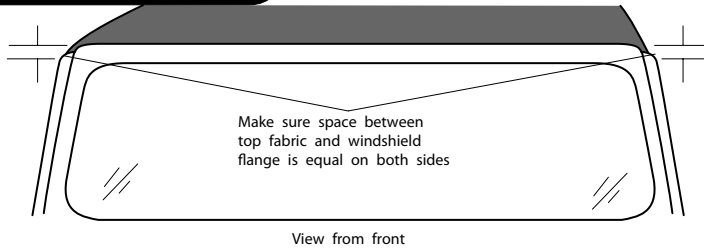
Parts List	
Safari Bikini	Qty - 1

Step One

Orient the Bikini with the plastic ridge to the front and the straps toward the back. Drape the Bikini over the sport bar and insert the plastic strip sewn along the front of the top into the windshield header. Do not catch the fabric in the retainer. Center the front of the deck on the vehicle so that it is an equal distance from the top of the windshield flange on both sides.



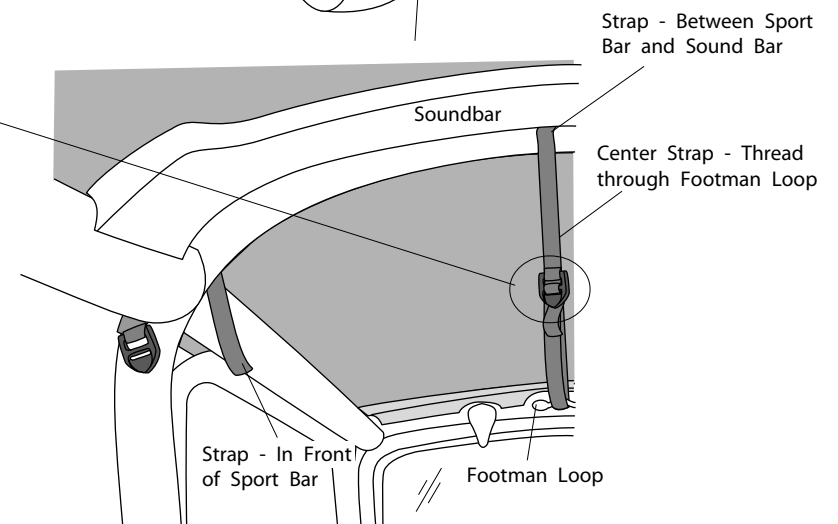
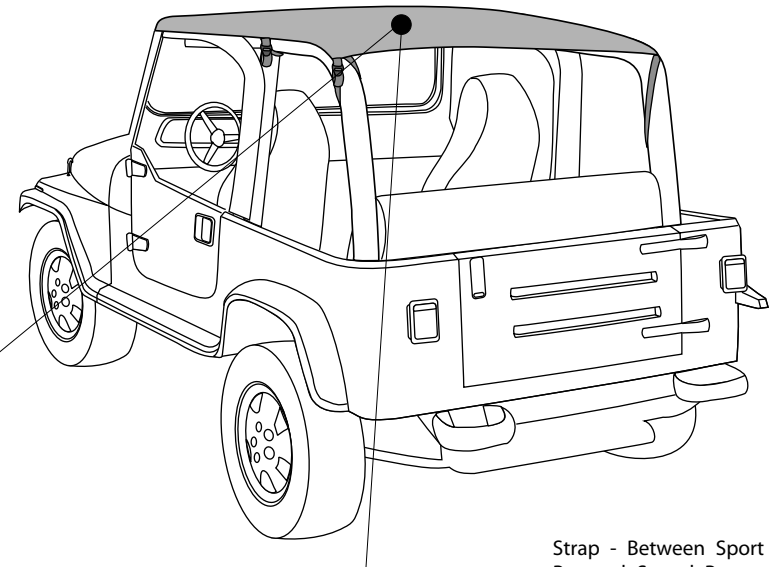
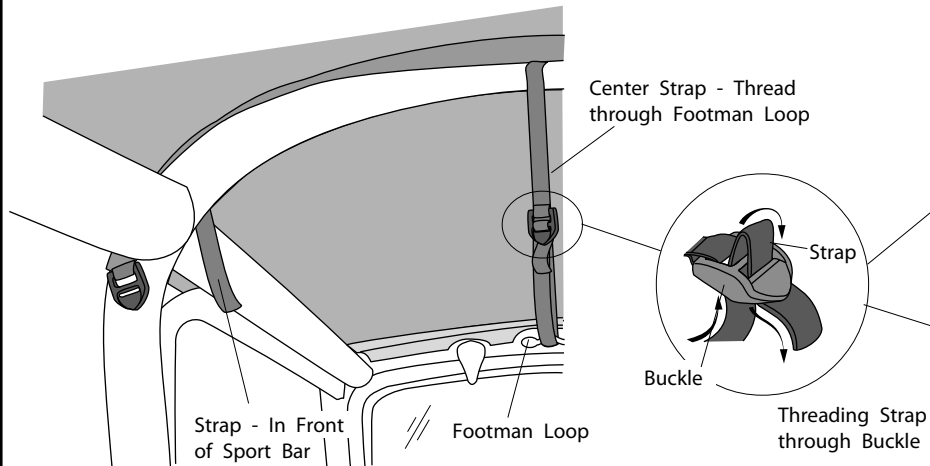
Note: For best possible installation, check to make sure that the soft top is perfectly centered on the vehicle.



Step Two - Without Soundbar

Drape the fabric over the sport bar. Make sure that the long tails of the straps on the side of the Bikini are in front of the sport bar.

Wrap the flap with the long center strap, inside the Safari Bikini around the sport bar, pull the strap forward to the windshield. Thread the strap through the footman loop on the windshield frame. Then pull the end of the strap back and thread it through the buckle. Tighten it securely.



Step Two - With Soundbar

Drape the fabric over the sport bar. Make sure that the long tails of the straps on the side of the Bikini are in front of the sport bar and that the long center strap is resting on top of the soundbar.

Push the end of the strap between the sport bar and the soundbar. Push the end of the strap through until you can get ahold of the strap to pull the buckle through. Wrap the flap with the long center strap, inside the Safari Bikini around the sport bar, pull the strap forward to the windshield. Thread the strap through the footman loop on the windshield frame. Then pull the end of the strap back and thread it through the buckle. Tighten it securely.

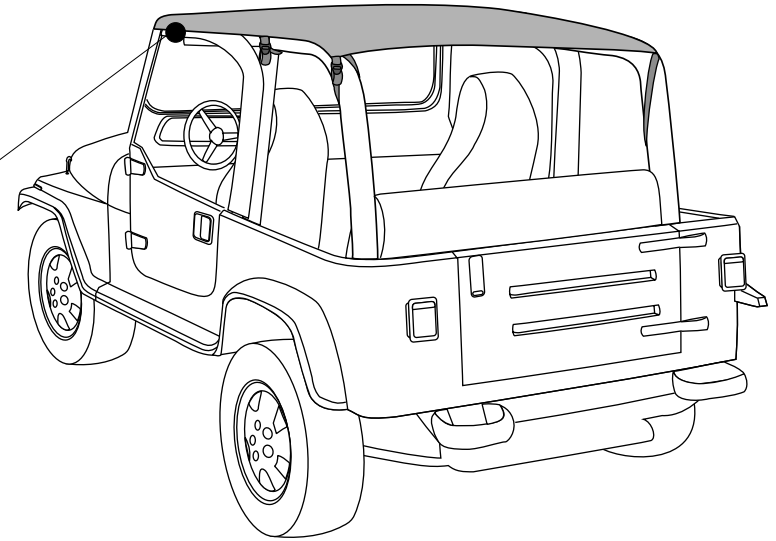
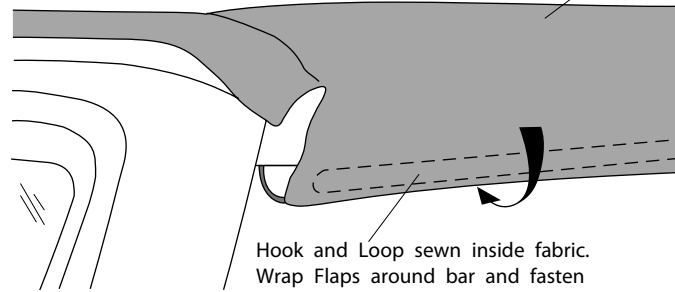
Note: Some soundbars fit extremely tight against the sport bar preventing the buckles easy access to the straps. If this is the case, the soundbar must be moved slightly rearward. The distance will vary on each vehicle.

Remove the four bolts securing the soundbar in place. Reposition the soundbar rearward (check the clearance for buckle accessibility), notch out the soundbar attachment brackets accordingly - in most cases it will be less than 1/4". Reinstall the four bolts.

Step Three - without Door Side Rails

Locate the hook and loop strips sewn to the front corners of the Bikini. Fasten the strips to each other and tuck them up above the horizontal sport bar, out of the way.

Locate the flap sewn inside the Bikini above the door opening. Wrap the inside and outside flaps around the horizontal sport bar and fasten the Hook and Loop Strips to each other.



Step Three - with Door Side Rails

Locate the hook and loop strips sewn to the front corners of the Bikini. Tuck the hook strip between the horizontal sport bar and the Door Side Rail.

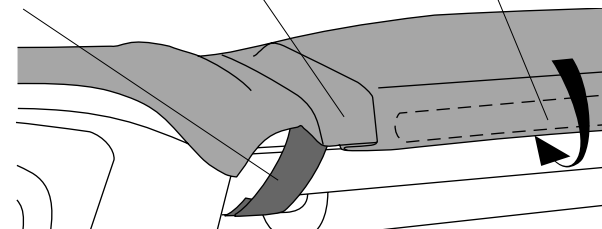
Locate the plastic strip sewn along the edge of the outer flap, above the door opening. Slip the plastic strip into the channel on the Door Side Rail.

Fold the fabric insert from front to back, so that it lays flat on top of the horizontal sport bar and wrap the outer loop strip around the Door Side Rail and fasten it to the hook strip tucked inside of the rail to hold the fabric in place.

Locate Hook Strip between
Sport Bar and Door Side Rail
and fasten to Loop

Fold Fabric from front
to back to Lay Flat

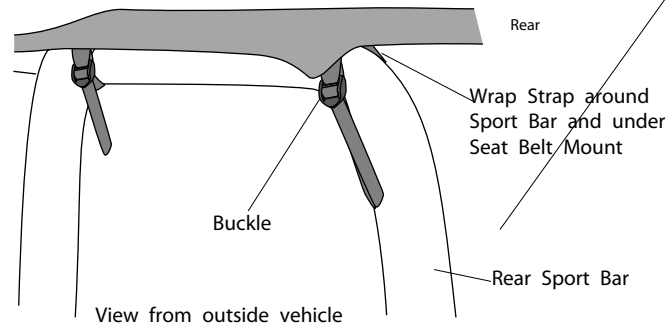
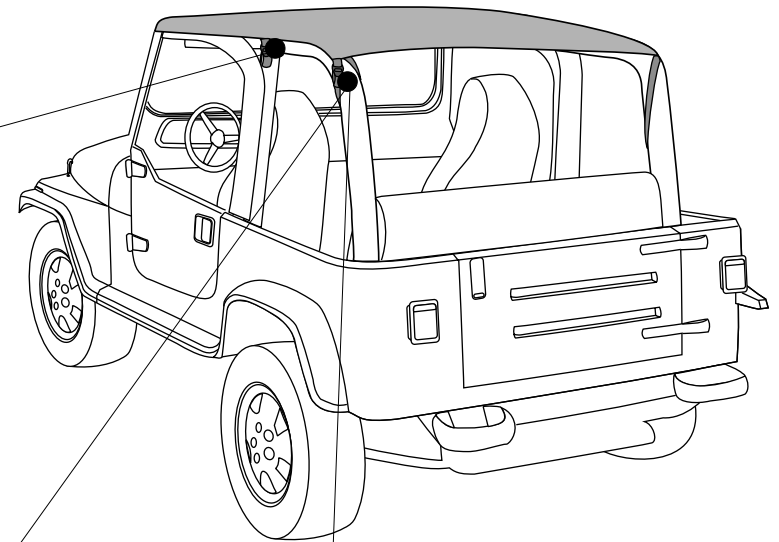
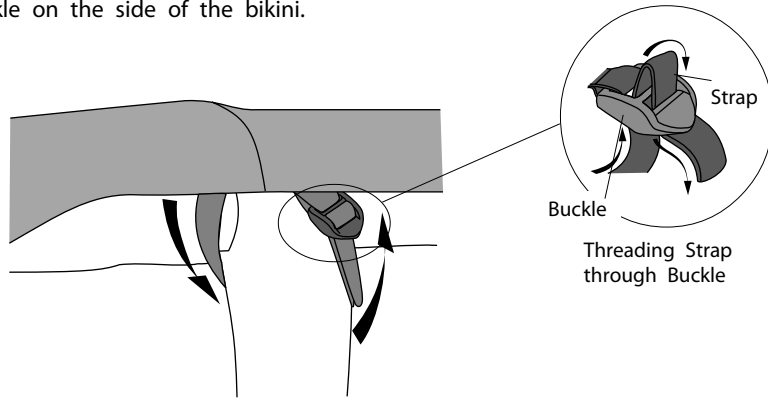
Plastic Strips sewn inside fabric.
Roll into channel in Door Side Rail.



Note: When removing the Bikini, it will be easiest to remove the plastic strips by starting at the front of the plastic and pulling down and out.

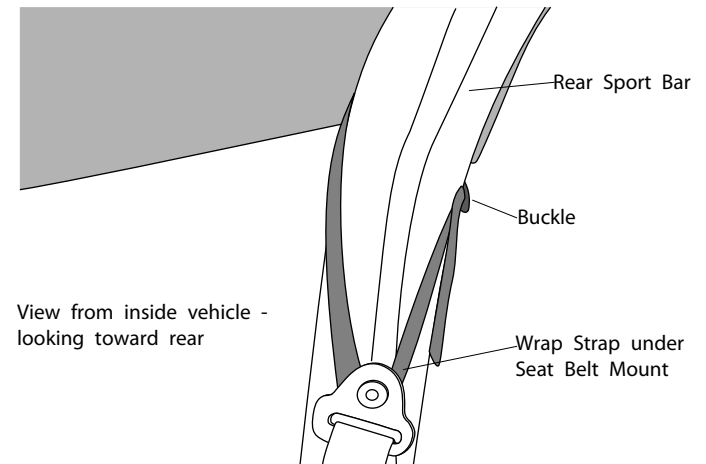
Step Four

Wrap the strap sewn to the side of the Safari Bikini around the sport bar and thread it through the buckle on the side of the bikini.



Step Five

Locate the Buckles and straps sewn to the rear corners of the Safari Bikini. Wrap the straps around the sport bars and under the seat belt mounts. Thread the ends of the straps through the buckles and pull them tight.



Care and Maintenance of your Bestop Top

Your top is made of the finest materials available. To keep it looking new and for the maximum possible wear, it will need periodic cleaning and maintenance.

Washing: The top fabric should be washed often using soap, warm water and a soft bristle brush. Rinse with clear water to remove all traces of soap.

Water: Seeping through at the seams may be stopped by applying 3-M Scotchgard® on the inside of the seams. Rips in the fabric may be repaired with Bondex® iron on patches. Iron the patches to the Inside of the top, carefully following the Bondex® instructions.

LIMITED WARRANTY

We warrant our product to be free from defects in material and workmanship, for the terms specified below, provided there has been normal use and proper maintenance. This warranty applies to the original purchaser only. All remedies under this warranty are limited to the repair or replacement of any item or items found by the factory to be defective within the time period specified.

If you have a warranty claim, first you must call our factory at the number below for instructions. You must retain proof of purchase and submit a copy with any items returned for warranty work. Upon completion of warranty work, if any, we will return the repaired or replaced item or items to you freight prepaid. Damage to our products caused by accidents, fire, vandalism, negligence, misinstallation, misuse, Acts of God, or by defective parts not manufactured by us, is not covered under this warranty.

THE WARRANTY TIME PERIOD IS AS FOLLOWS: ALL "SOFT GOODS" MANUFACTURED BY OUR COMPANY (USING PRIMARILY VINYL, PLASTICS, AND/OR FOAM): ONE YEAR FROM DATE OF PURCHASE.

ANY IMPLIED WARRANTIES OF MERCHANTABILITY AND/OR FITNESS FOR A PARTICULAR PURPOSE CREATED HEREBY ARE LIMITED IN DURATION TO THE SAME DURATION AND SCOPE AS THE EXPRESS WRITTEN WARRANTY. OUR COMPANY SHALL NOT BE LIABLE FOR ANY INCIDENTAL OR CONSEQUENTIAL DAMAGE.

Some states do not allow limitations on how long an implied warranty lasts, or the exclusion or limitation of incidental or consequential damages, so the above limitations or exclusions may not apply to you.

This warranty gives you specific legal rights, and you may also have other rights which vary from state to state.

For further information or request for warranty work, please contact:

Bestop Inc.
Customer Service
(800)845-3567
(303)465-1755

