



Installation Instructions





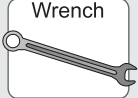

HighRock 4x4™ Element™

Door Frame


Vehicle Application


- Jeep JK Wrangler and JK Wrangler Unlimited (2 Door and 4 Door Models)
2007 – Current
Part Number: 51810 / 51826

www.Bestop.com - We're here to help! Visit our web site and click on "[Ask a Question](#)". Click here for more [Jeep Accessories by Bestop](#).

| INSTALLATION TIME | SKILL LEVEL | | |
|---|---|---|--|
|  1/2 Hour |  1 - Easy | | |
| TOOLS | | | |
|  Safety Glasses |  Phillips Screwdriver |  Wrench 3/8" |  Torx Wrench T-45 |



 **CAUTION** Safety glasses should be worn at all times while installing this product.

 **WARNING** This product is designed primarily to enhance the appearance of the vehicle and to shield the occupants from ordinary weather conditions. Do not rely in any way on the components of this product to contain occupants within the vehicle, or to protect against injury or death in the event of an accident. This product will not protect the occupants from falling objects. Never operate the vehicle in excess of manufacturer's specifications.

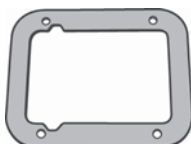
WEAR SEAT BELTS AT ALL TIMES

Read and follow, precisely, all installation instructions provided when installing product. Failure to do so may result in a poor fit and could place occupants of the vehicle in a potentially dangerous situation.

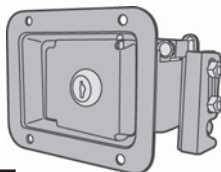
HighRock 4x4™ Element™ Door Frame – Installation Instructions

Parts List

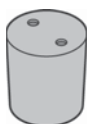
- Right Door Frame, Part Number 444.36 (GLOSS FINISH)
Part Number 499.50 (MATTE FINISH)
Qty - 1
- Left Door Frame, Part Number 444.37 (GLOSS FINISH)
Part Number 499.49 (MATTE FINISH)
Qty - 1



- Latch Plate, Qty - 2,
Part Number 429.41



- Latches, Locking Rotary Paddle
Handle with Key -
Qty - 1, Part Number 459.24,
Qty - 1, Part Number 459.25



- Mirror Mount
Bracket, Qty - 2,
Part Number
445.91



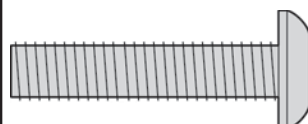
- Door Restraint
Straps, Qty - 2,
Part Number 393.23



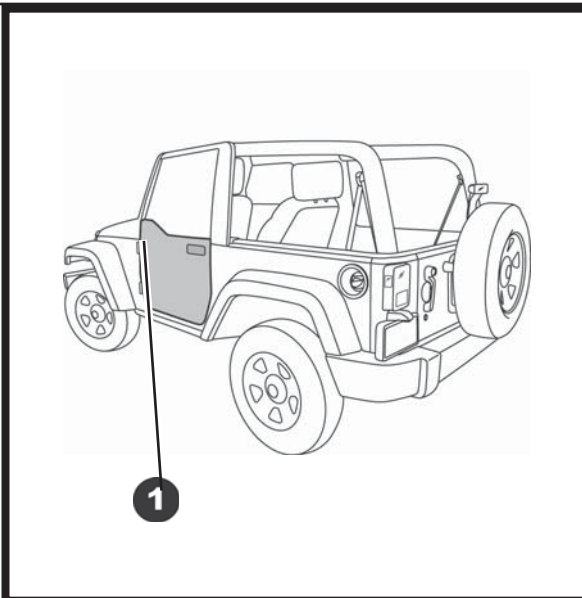
- #10-32 Truss Head Machine
Screw - Black, Qty - 8, Part
Number 316.94



- #10-32 Locknut - Black, Qty - 8,
Part Number 316.82



- M8 x 35mm Button Head Cap Screw,
Qty - 4, Part Number 517.83



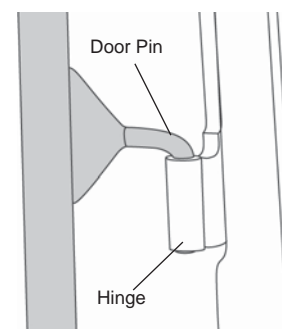
WARNING

It is important that the Paddle Handle must align correctly with the automobile manufacturer's original equipment steel latch pin located on the vehicle. Failure to properly install the paddle handle may result in the door accidentally opening. **IMPROPER CLOSURE COULD RESULT IN SERIOUS INJURY OR DEATH TO THE OCCUPANTS. WEAR SEAT BELTS AT ALL TIMES. DRIVE CAREFULLY.**

IMPORTANT: You should check the Paddle Handle periodically to ensure the alignment to the door striker is correct, allowing the door to close properly, and that the screws are tight. If out of alignment, align and retighten the screws securely. Repeat for both lower doors. If more adjustment is needed, adjust the vehicle's door striker.

1 Install Door

Hold the door straight out from the vehicle with the hinge pins over the body hinges. Lower the pins into the hinges. Make sure that the pins are fully inserted into the body hinges.



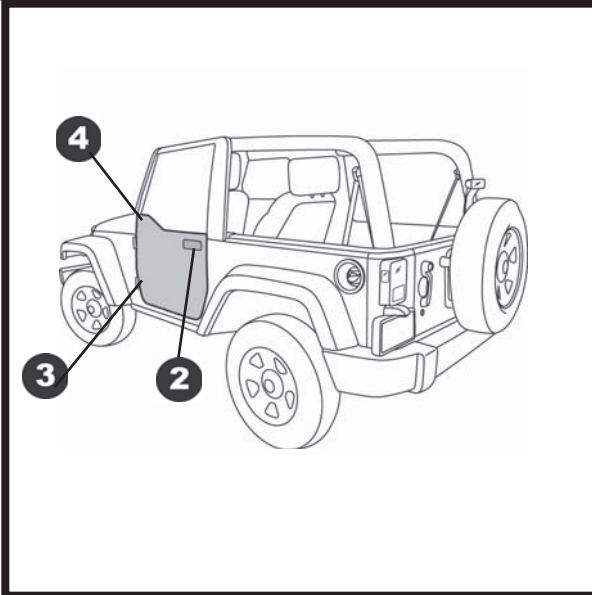
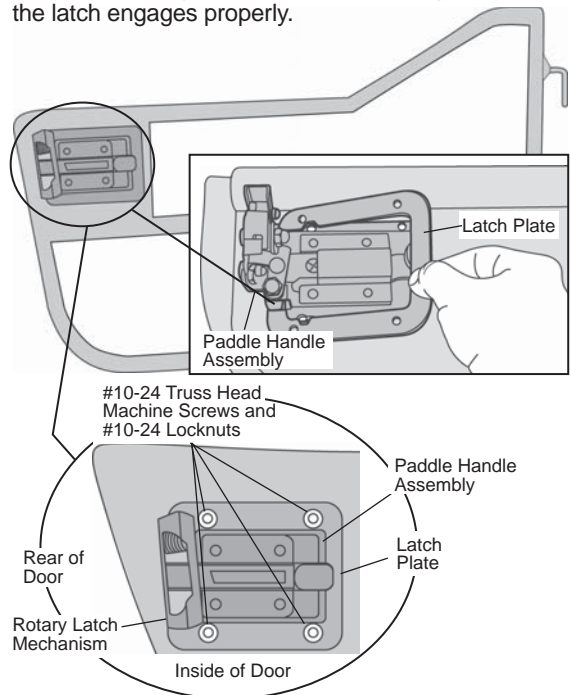
HighRock 4x4™ Element™ Door Frame – Installation Instructions

2 Install Paddle Handle

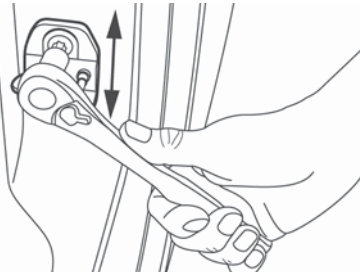
Insert the Paddle Handle into the opening in the door plate so that the latch mechanism is inside of the vehicle and the Rotary Latch Mechanism is toward the rear of the door. Place the Latch Plate over the Paddle Handle on the inside of the door. Align the holes in the Paddle Handle and Latch Plate. Insert four #10-32 Truss Head Machine Screws from the outside and secure them with #10-32 Locknuts. Close the door and adjust the latch to ensure it latches properly.

Tighten the screws once the latch works properly.

Adjust the factory door striker if necessary to ensure the latch engages properly.

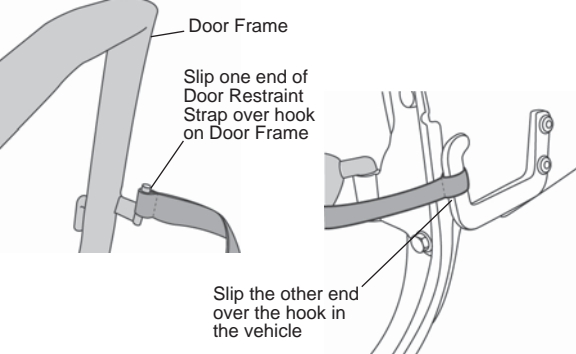


NOTE If the Element Door does not match up with the door striker, you may adjust the door striker by loosening it with a T-45 torx wrench and either lowering or raising the door striker. Tighten the door striker securely after adjusting. The door striker will have to be put back into its original position to reinstall O.E. doors



3 Install Restraint Strap

Locate a Door Restraint Strap in the small parts kit. Slip the loop in one end over the hook on the door frame. Slip the loop in the other end onto the hook on the vehicle body.



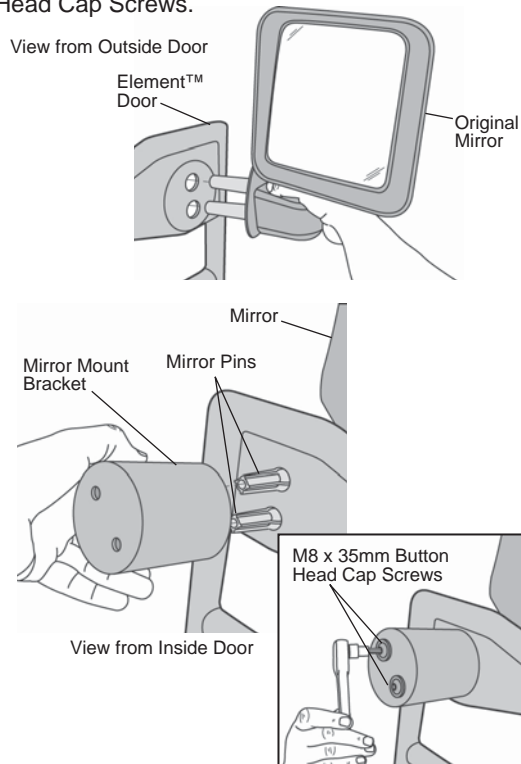
HighRock 4x4™ Element™ Door Frame – Installation Instructions

4 Install Original Mirror

The mirror from the original door can be mounted to the Element™ Door using the Mirror Mount Bracket.

Use a T-40 Torx wrench to remove the mirror from the factory door.

Align the holes in the Mirror Mount Bracket with the holes on the inside of the Element™ Door. Slide the pins on the mirror through the door from the outside into the bracket. Install the M8 x 35mm Button Head Cap Screws.



LIMITED WARRANTY

We warrant our product to be free from defects in material and workmanship, for the terms specified below, provided there has been normal use and proper maintenance. This warranty applies to the original purchaser only. All remedies under this warranty are limited to the repair or replacement of any item or items found by the factory to be defective within the time period specified. If you have a warranty claim, first you must call our factory at the number below for instructions. You must retain proof of purchase and submit a copy with any items returned for warranty work. Upon completion of warranty work, if any, we will return the repaired or replaced item or items to you freight prepaid. Damage to our products caused by accidents, fire, vandalism, negligence, misinstallation, misuse, Acts of God, or by defective parts not manufactured by us, is not covered under this warranty.

THE WARRANTY TIME PERIOD IS AS FOLLOWS FOR REPLACE-A-TOP™, SAILCLOTH REPLACE-A-TOP™, SUPERTOP®, SUPERTOP® REPLACEMENT SKINS, SUNRIDER®, AND TIGERTOP®: TWO YEARS FROM DATE OF PURCHASE.

THE WARRANTY TIME PERIOD IS AS FOLLOWS FOR ALL OTHER “SOFT GOODS” MANUFACTURED BY OUR COMPANY (USING PRIMARILY VINYL, PLASTICS, AND/OR FOAM): ONE YEAR FROM DATE OF PURCHASE.

THE WARRANTY TIME PERIOD IS AS FOLLOWS FOR ALL OTHER “HARD GOODS” MANUFACTURED BY OUR COMPANY (USING PRIMARILY METALS, PLASTICS, AND/OR FIBERGLASS): ONE YEAR FROM DATE OF PURCHASE.

ANY IMPLIED WARRANTIES OF MERCHANTABILITY AND/OR FITNESS FOR A PARTICULAR PURPOSE CREATED HEREBY ARE LIMITED IN DURATION TO THE SAME DURATION AND SCOPE AS THE EXPRESS WRITTEN WARRANTY. OUR COMPANY SHALL NOT BE LIABLE FOR ANY INCIDENTAL OR CONSEQUENTIAL DAMAGE.

Some states do not allow limitations on how long an implied warranty lasts, or the exclusion or limitation of incidental or consequential damages, so the above limitations or exclusions may not apply to you. This warranty gives you specific legal rights, and you may also have other rights which vary from state to state.

*All or a portion of this product may be made in China or South Africa.



For further information or request for warranty work, please contact:

Bestop Inc., Customer Service

Toll-Free: (800) 845-3567

Main: (303) 465-1755

E-mail: csbestop@Bestop.com

Website: www.Bestop.com