



Installation Instructions Front 2-Piece Doors with Rotary Latch

Vehicle Application:
Jeep® JL Wrangler Unlimited
2018 - current
Part Number 51750

Installation Tips

Before you install your new Bestop Front 2-Piece Doors with Rotary Latch, please read all the instructions thoroughly.

! WARNING This product is designed primarily to enhance the appearance of the vehicle and to shield the occupants from ordinary weather conditions. Do not rely in any way on the components of this product to protect against injury or death in the event of an accident. Never operate the vehicle in excess of manufacturer’s specifications.

Read and follow, precisely, all installation instructions provided when installing this product. Failure to do so may result in a poor fit and could place occupants of the vehicle in a potentially dangerous situation.

! CAUTION Safety glasses should be worn at all times when installing this product.

WEAR SEAT BELTS AT ALL TIMES



Tools			Installation Time	Support
 Safety Glasses	 Phillips Screwdriver	 3/8" - 7/16" Wrenches	 30 Minutes	We're here to help! Go to: https://www.bestop.com and click on Need Help? https://www.bestop.com/video-library
 Ratchet	 T40 - T50 Torx Drivers	 Utility Knife	Skill Level 1 - Easy	



Installation Instructions Front 2-Piece Doors with Rotary Latch

Vehicle Application:
Jeep® JL Wrangler Unlimited
2018-current
Part Number 51750

Sugerencias de Instalación

Antes de empezar a instalar esta unidad, lea atentamente todas las instrucciones.

Para un buen ajuste:

Para facilitar la instalación, el producto debe instalarse a temperaturas superiores a 72 °F (22 °C).

Por debajo de esta temperatura, la tela puede encogerse una pulgada o más, lo que dificultaría su ajuste al vehículo.

Es normal que la tela se contraiga o arrugue cuando está guardada en la caja de empaque. A los pocos días después de la instalación, la tela se relajará y las arrugas desaparecerán.



ADVERTENCIA

Este producto se diseñó principalmente para mejorar la apariencia del vehículo y proteger a los ocupantes de las condiciones climáticas comunes. De ninguna manera piense que los componentes de este producto pueden servir como medio de contención para los ocupantes del vehículo o que pueden protegerlos contra lesiones o la muerte en caso de accidente. Este producto no protegerá a los ocupantes contra caídas de objetos. Nunca conduzca este vehículo fuera de las especificaciones del fabricante.

USE LOS CINTURONES DE SEGURIDAD EN TODO MOMENTO

Lea y siga con precisión todas las instrucciones de instalación que se proporcionan para instalar este producto. Si no lo hace, podría producirse un mal ajuste que colocaría a los ocupantes del vehículo en una situación potencialmente peligrosa.



PRECAUCIÓN

Debe usar gafas protectoras en todo momento durante la instalación de este producto.

Conseils pour l'installation

Lire toutes les instructions au complet avant de commencer l'installation de cet assemblage.

Pour un ajustement sans problème :

Afin de faciliter l'installation, ce produit doit être installé à des températures au-dessus de 72 °F (22 °C).

Sous cette température, le tissu peut rétrécir d'un pouce (2,5 cm) ou plus, ce qui rendra l'ajustement sur le véhicule difficile.

Il est normal que le tissu rétrécisse et plisse pendant qu'il est dans la boîte d'expédition. En quelques jours après l'installation, le tissu se détendra et les plis disparaîtront.



AVERTISSEMENT

Ce produit est conçu principalement pour améliorer l'apparence du véhicule et pour protéger les occupants des conditions météorologiques usuelles. Ne jamais se fier aux composants de ce produit pour se protéger de blessures ou de la mort en cas d'accident. Ce produit ne protégera pas les occupants des chutes d'objets. Ne jamais utiliser le véhicule au-delà des caractéristiques techniques indiquées par le fabricant.

PORTER UNE CEINTURE DE SÉCURITÉ EN TOUT TEMPS

Lire et suivre, très fidèlement, toutes les instructions d'installation fournies lors de l'installation de ce produit. Ne pas suivre cette consigne peut causer une installation inadéquate et mettre les occupants du véhicule dans une situation potentiellement dangereuse.



MISE EN GARDE

Des lunettes de sécurité doivent être portées en tout temps lors de l'installation de ce produit.



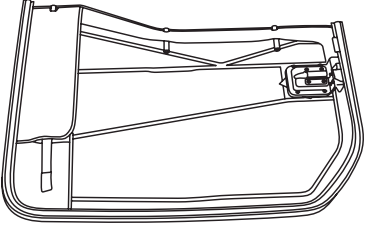
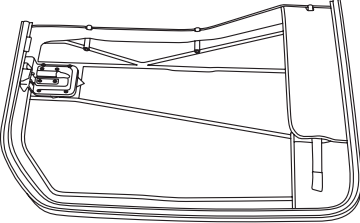
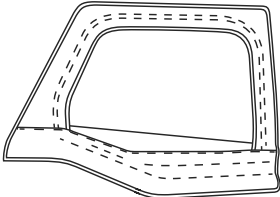
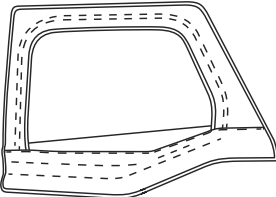
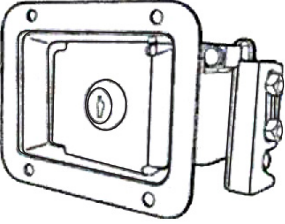
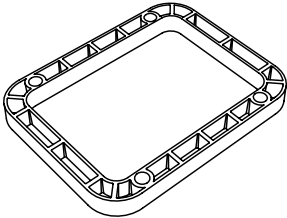
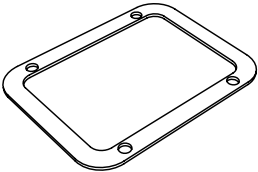
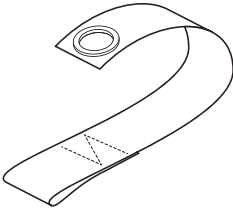

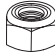
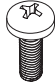
Installation Instructions

Front 2-Piece Doors with Rotary Latch

Vehicle Application:
Jeep® JL Wrangler Unlimited
2018-current
Part Number 51750

Parts List

- Required parts for installation - Page number in Installation Guide

All Sections	2-Piece Door Parts			Multiple Pages
 <p>Front 2-Piece Lower Door Left (Driver) Side Qty. 1</p>	 <p>Front 2-Piece Lower Door Right (Passenger) Side Qty. 1</p>	 <p>Front 2-Piece Upper Door Left (Driver) Side Qty. 1</p>	 <p>Front 2-Piece Upper Door Right (Passenger) Side Qty. 1</p>	
 <p>Locking Rotary Paddle Handle Latch Part #459.24 (Right) Part #459.25 (Left) Qty. 1 of each</p>	 <p>Plastic Spacer Bezel Part #584.98 Qty. 2</p>	 <p>Metal Trim Bezel Part #429.41 Qty. 2</p>	 <p>Door Retention Strap Part #589.07 Qty. 2</p>	 <p>Allen Wrench Part #276.68 Qty. 1</p>  <p>#10-24 Lock Nut Part #195.93 Qty. 8</p>  <p>#10-24 Phillips Screw Part #585.09 Qty. 8</p>

Step 1

Tools

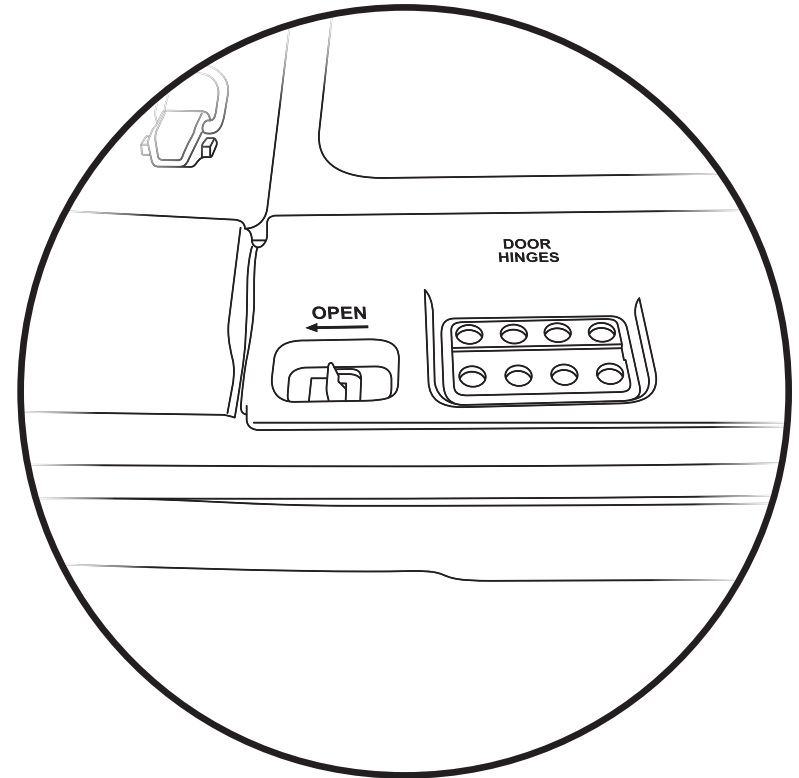
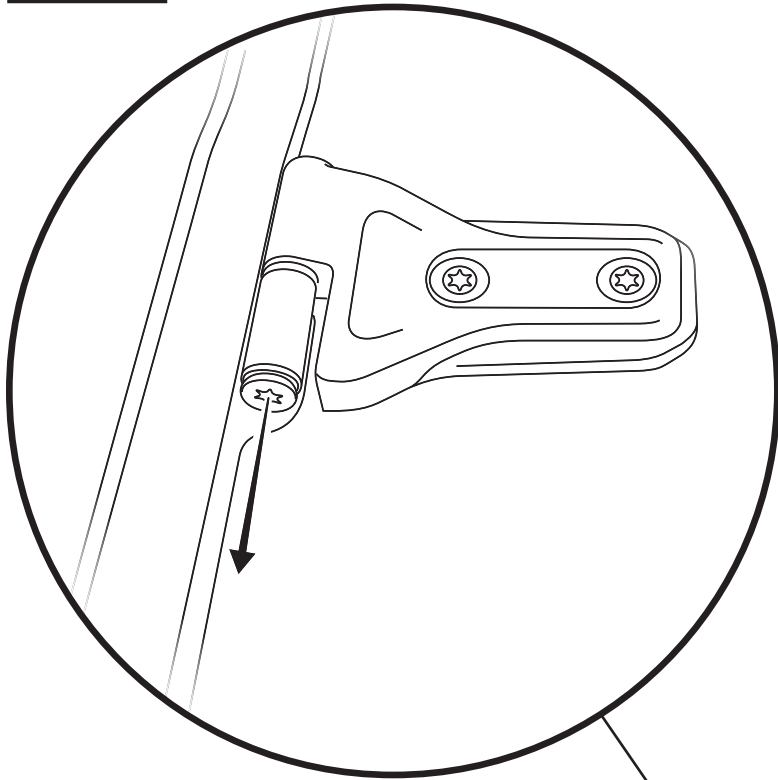


Ratchet



T50
Torx Driver

Step 2

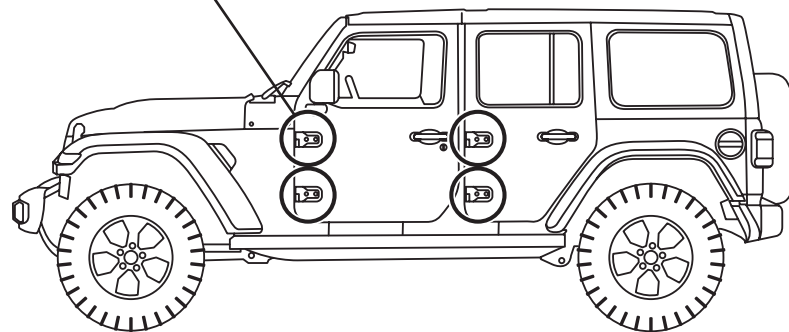


Step 1

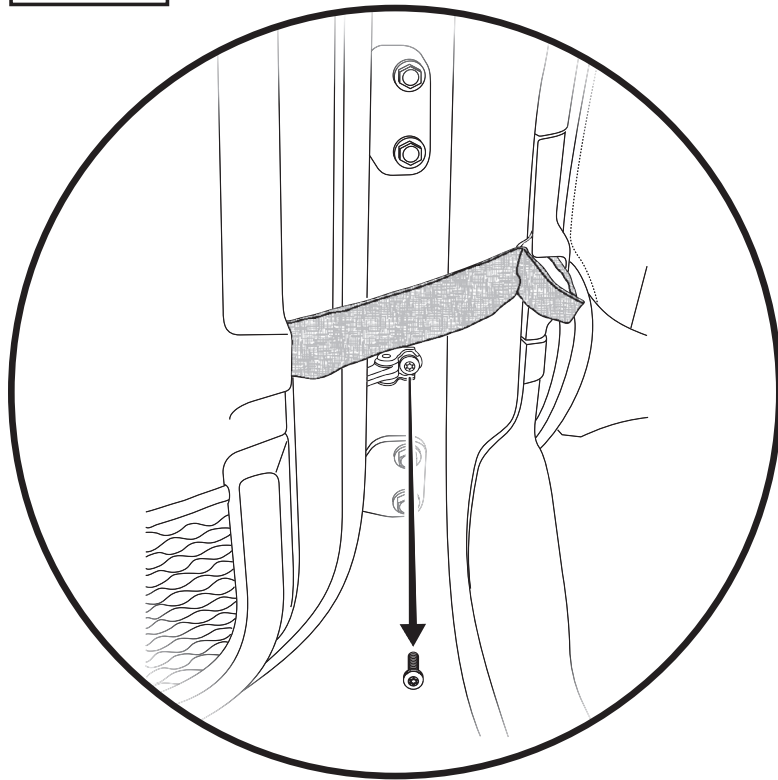
Using a T50 Torx bit, remove the Hinge Screws from the bottom of each door hinge - 2-door or 4-door.

Step 2

Store the Door Hinge Screws underneath the hinged floor cover at the rear of the Jeep.



Step 1



Tools

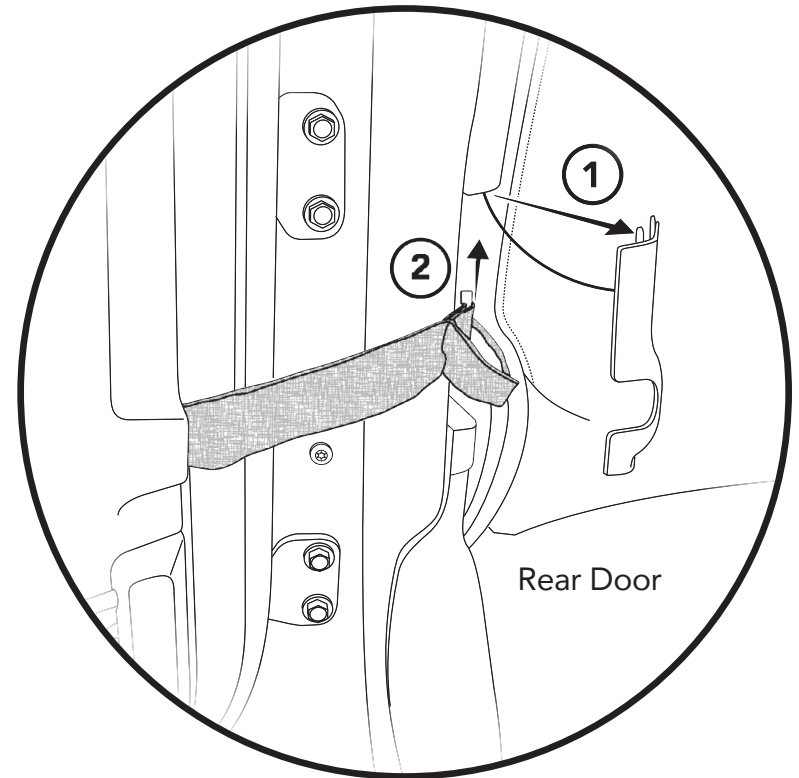


Ratchet



T40
Torx Driver

Step 2



Step 1

Using a T40 Torx bit, remove the door linkage screw on the inside of the door frame.

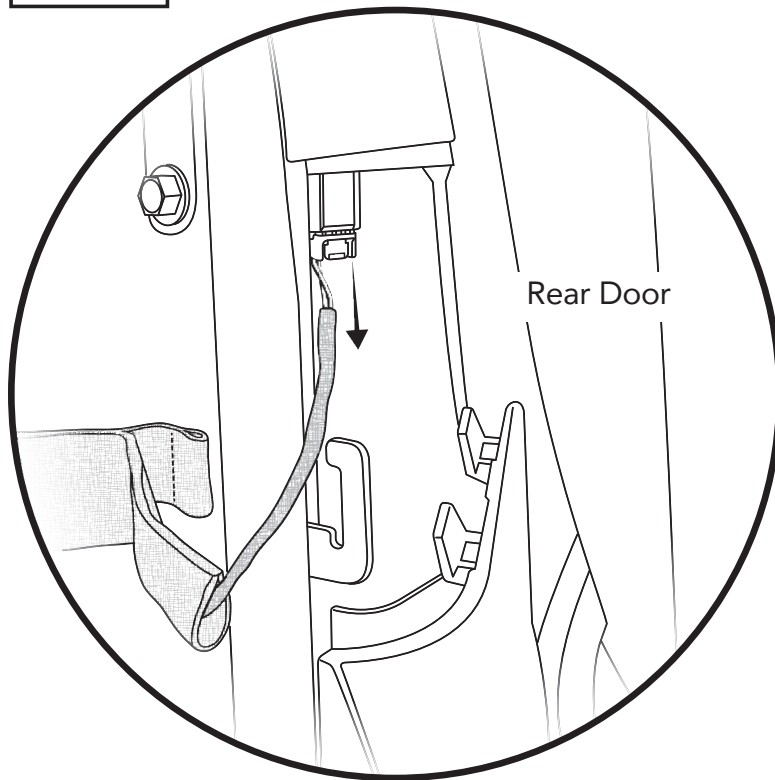
Move the door linkage aside and replace the screw.

Do this on each door that you are removing, on both 2 and 4-door Jeeps.

Step 2

Rear Door:

- ① Remove the tethered plastic cover over the Door Retention Strap Hook.
- ② Remove the loop end of the Door Retention Strap from the Hook. Lift the loop up and off of the metal hook.

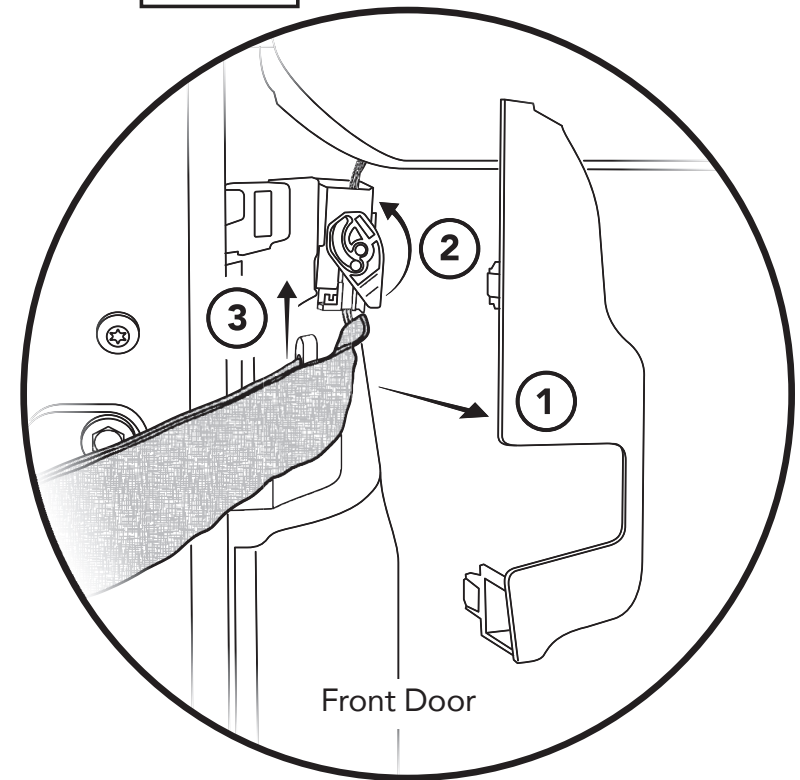
Step 1**Step 1**

Rear Door:

With the tethered plastic cover removed, unplug the connector behind the cover, and at the end of the wrapped wire bundle that is inside of the door restraint strap.

Replace the plastic cover after you have unplugged the connector.

You may now lift this door off the hinge.

Step 2**Step 2**

Front Door:

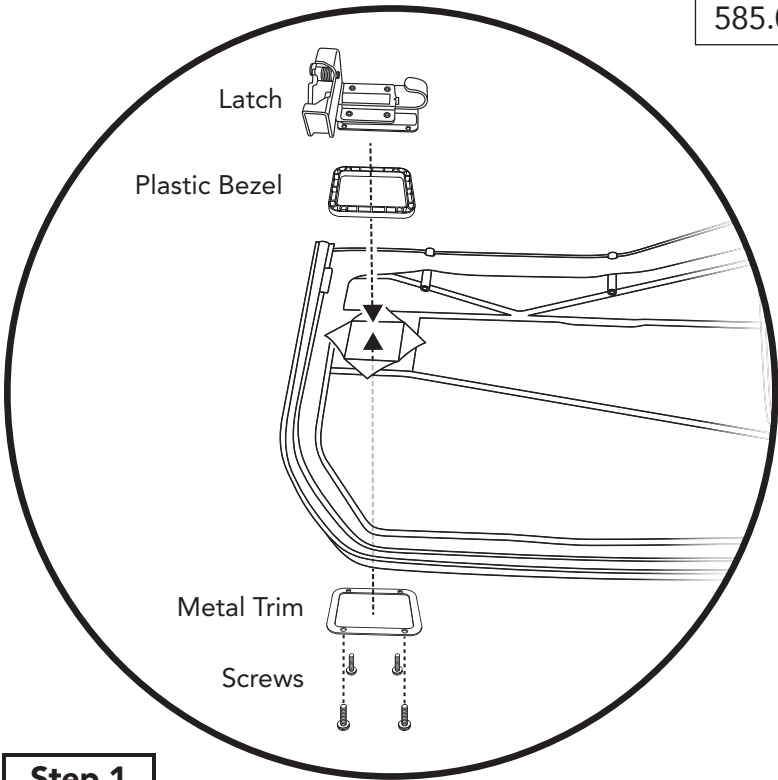
① Remove the tethered plastic cover over the Door Retention Strap Hook.

② Slide the red latch on the connector up, and pivot the white receptacle lock 180°, and remove the connector.

③ Remove the loop end of the Door Retention Strap from the Hook. Lift the loop up and off of the metal hook.

You may now lift this door off the hinge.

Step 1	459.25	459.24	584.89	429.41	195.93
					585.09



Step 1

From the inside, fold back the triangles of fabric from the X-cut hole in the Left Door.

Place the Plastic Bezel #584.98 over the fabric triangle, and then place the Left Paddle Latch #459.25 on top of the Plastic Spacer Bezel, aligning the four (4) holes in each part.

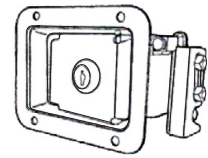
From the outside, place the Metal Trim Bezel #429.41 over the outside of the fabric hole, aligning the holes with the holes in the Plastic Spacer Bezel and Paddle Latch. Use a Utility Knife to cut holes in the fabric where the screws will go.

Secure the entire assembly using four (4) #10-24 Phillips Screws #585.09 and four (4) #10-24 Lock Nuts #195.93. The screws go on the outside, and the Lock Nuts on the Inside. Trim excess fabric as necessary.

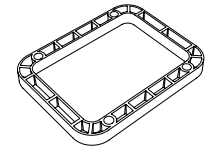
Do Not Tighten the screws until after making the adjustments as described in Section 6, Step 1.

Repeat on the Right Door.

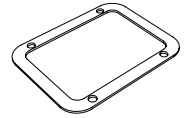
Hardware



Locking Rotary Paddle Handle Latch
Part #459.24 (Right)
Part #459.25 (Left)
Qty. 1 of each



Plastic Spacer Bezel
Part #584.98
Qty. 2



Metal Trim Bezel
Part #429.41
Qty. 2

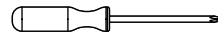


#10-24 Lock Nut
Part #195.93
Qty. 8



#10-24 Phillips Screw
Part #585.09
Qty. 8

Tools



Phillips Screwdriver



3/8" Wrench



Utility Knife

WARNING

It is important that the Paddle Handle must align correctly with the automobile manufacturer's original equipment steel latch pin located on the vehicle. Failure to properly install the paddle handle may result in the door accidentally opening. **IMPROPER CLOSURE COULD RESULT IN SERIOUS INJURY OR DEATH TO THE OCCUPANTS. WEAR SEAT BELTS AT ALL TIMES. DRIVE CAREFULLY.**

CAUTION

DO NOT attempt to adjust the Original Equipment Latch Pin. Doing so could result in damage to the pin.

WARNING

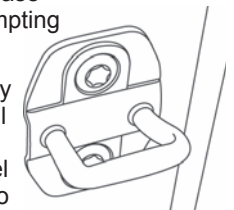
The doors in this product are designed only for protection against the elements. Do not rely on the doors to contain occupants within the vehicle or to protect against injury during an accident. Door handles are only designed to aid in door closure. Door and handle will not support a person's weight.



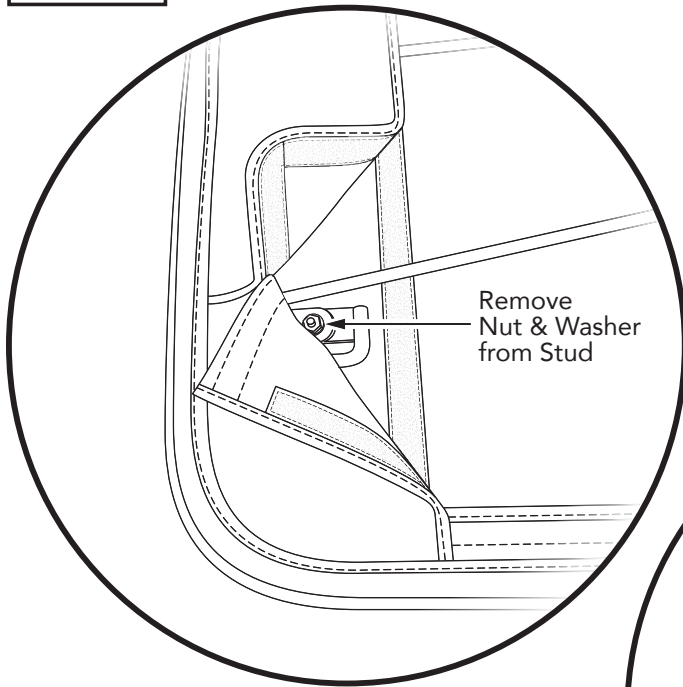
If your vehicle does not have the latch pin assembly illustrated here, you have an incorrect part for your vehicle. Please call the 1-800 number before attempting installation.

NOTE

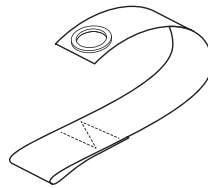
Special Note: The Rotary Latch Paddle Handle will only latch on the automobile manufacturer's original equipment steel latch pin located on the vehicle. Do Not adjust or remove this part.



Step 1

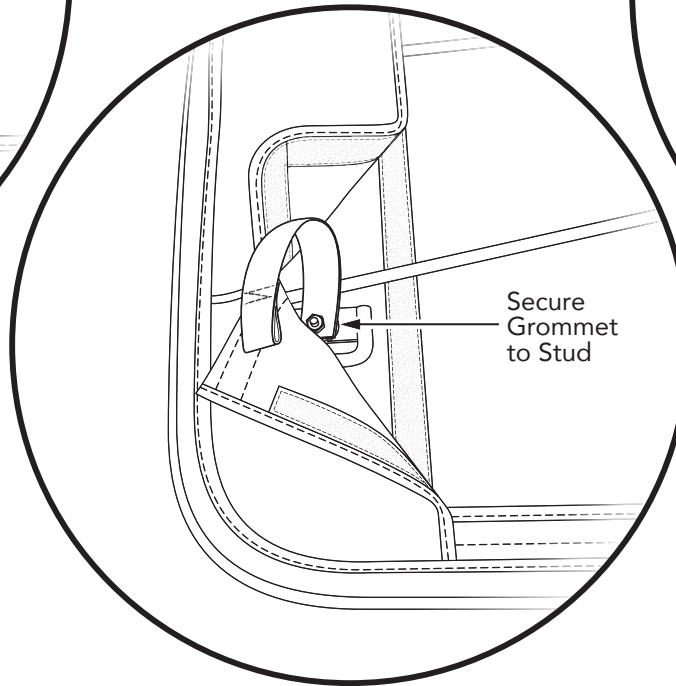


Hardware

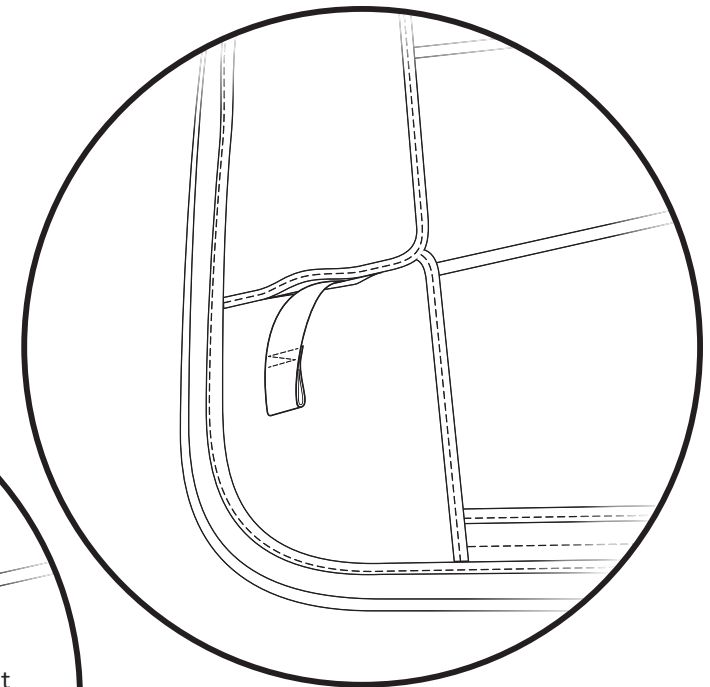


Door Retention Strap
Part #589.07
Qty. 2

Step 2 589.07



Step 3



Step 1

At the bottom front inside corner of each door, fold back the fabric to expose the stud with Nut and Washer.

Remove the Nut and Washer.

Step 2

Place the Door Retention Strap #589.07 Grommet over the stud. Secure the Strap with the Nut and Washer which you removed.

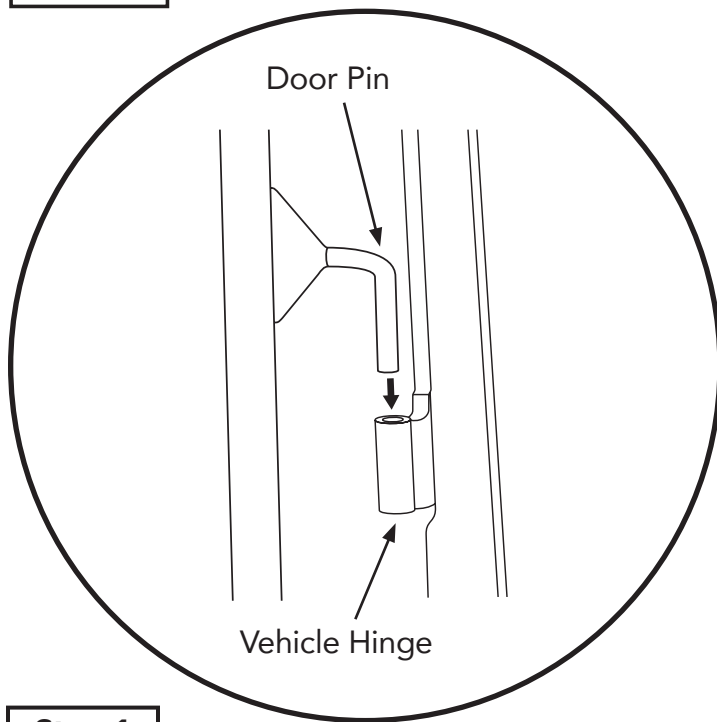
Step 3

Place the fabric back into place with the loop end of the Strap exiting from between the overlapping fabric edges.

Tools



7/16" Wrench

Step 1**Step 1**

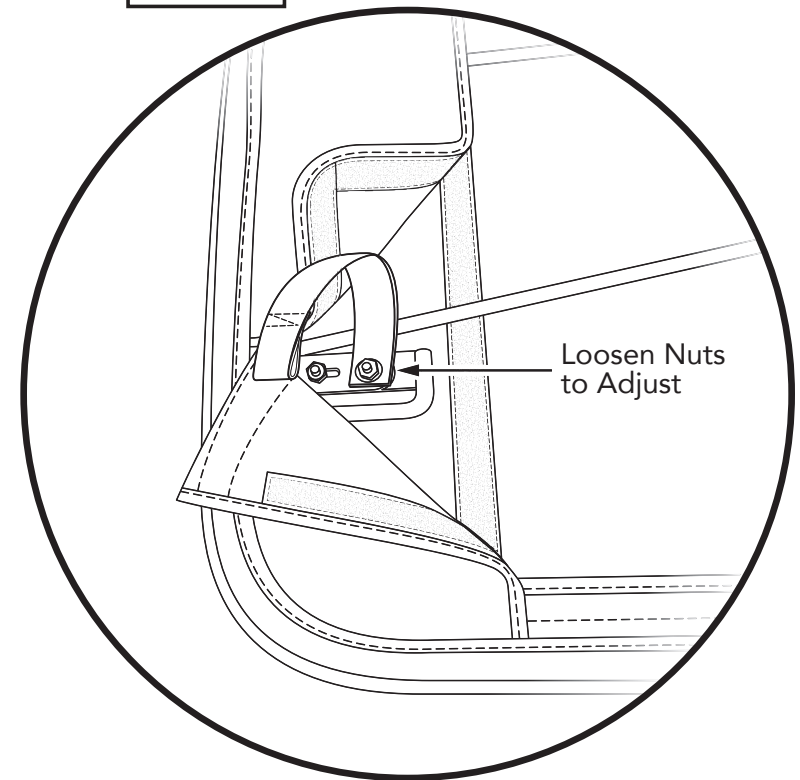
Hold the door straight out from the vehicle with the hinge pins over the body hinges.

Lower the pins into the hinges.

Make sure that the pins are fully inserted into the vehicle body hinges.

Close the door and check all sides to make sure that the door fits properly against the vehicle body.

The latch can be adjusted for the best contact with the latch pin by loosening the four (4) mounting screws and sliding the latch forward or rearward. Tighten all screws after adjustment.

Step 2**Step 2**

If necessary, adjust the doors for a better fit.

Fold back the fabric panels at the bottom inner front corner of the door, exposing the Lower Pin Adjustment Plate.

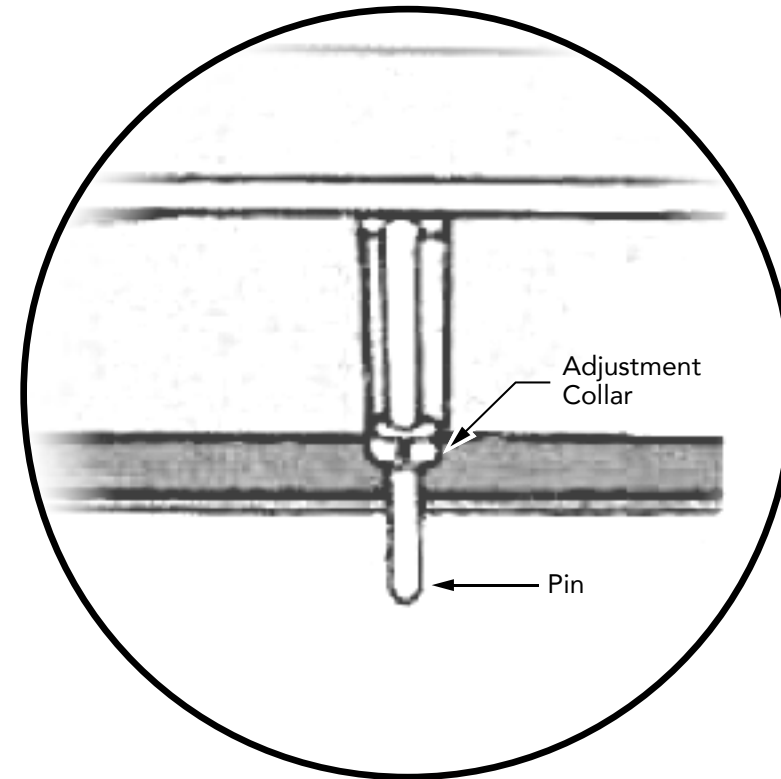
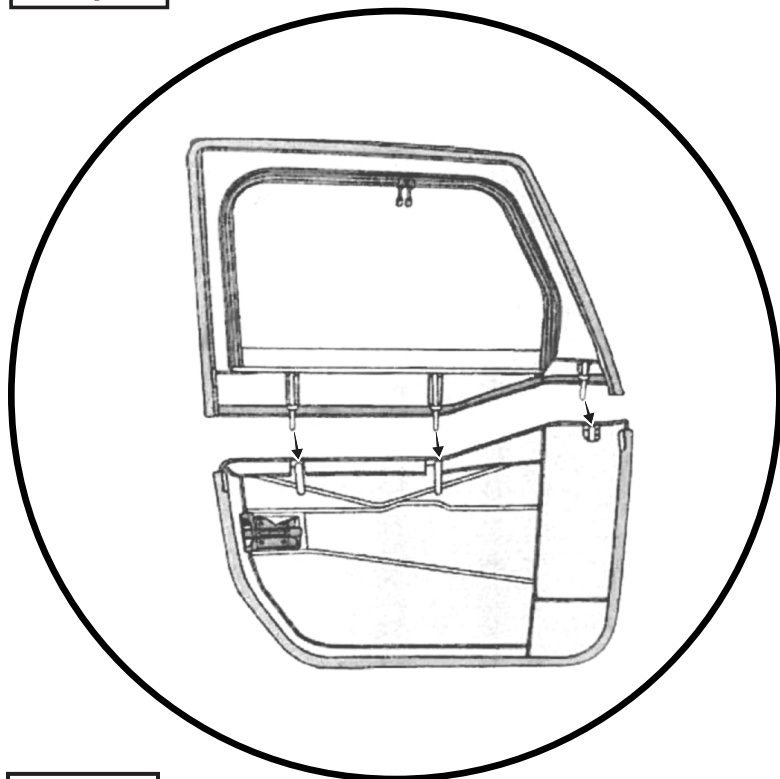
Loosen the two nuts using a 7/16" wrench, and slide the Hinge Pin backward or forward as necessary for the best fit.

After adjustment, tighten the nuts.

Attach Door Retention Straps to hooks on vehicle.

Step 1

Tools



Step 1

Install the Upper Doors into the Lower Doors. Starting with the front pin, slip the pins into the sockets in each Lower Door. Make sure that the Pins are well seated in the sockets.

Close the door to check that it fits properly against the vehicle body. If necessary use a 1/8" Allen Wrench to loosen the Adjustment Collars on the front and rear Upper Door Pins. (See Detail). The Collars will slide up and down as needed to provide the best fit of the Upper Door against the vehicle windshield.

Attach the Hook & Loop strips where the Upper and Lower Doors overlap.

NOTE: Lubricate the Upper Door Pins with a light oil to make it easier to install and remove the Upper Doors.



Installation Instructions Front 2-Piece Doors with Rotary Latch

Vehicle Application:
Jeep® JL Wrangler Unlimited
2018-current
Part Number 51750

WHAT BESTOP WARRANTS

Subject to the terms and conditions of sale, including any terms and conditions set forth by Bestop, Inc. ("Bestop" or "us" or "we") in our then-current terms of sale on our website (collectively, the "Terms"), Bestop represents and warrants that: the covered products listed in the "Covered Products and Warranty Periods" section (a "Product") will substantially be free from defects in materials and workmanship for the specified warranty periods set forth in that section.

THE WARRANTY IS LIMITED AND CONDITIONAL

This warranty applies to the original purchaser of the Product only. The warranty is valid only as long as the original retail purchaser owns the vehicle upon which the Product is installed. The warranty expires should the Product be removed from the original vehicle or if the original vehicle is transferred to another owner. This warranty is not transferable or assignable. The warranty does not apply to Product bought from auction-style or price-bid websites.

THE LIMITED WARRANTY AND STATED REMEDIES ARE SOLE AND EXCLUSIVE AND IN LIEU OF ALL OTHER WARRANTIES AND REMEDIES, AND COMPANY EXPRESSLY DISCLAIMS ALL IMPLIED OR STATUTORY OR OTHER WARRANTIES, INCLUDING WITHOUT LIMITATIONS WARRANTIES OF MERCHANTABILITY, NON-INFRINGEMENT OR FITNESS FOR A PARTICULAR PURPOSE. IN NO EVENT WILL COMPANY BE LIABLE FOR ANY SPECIAL, INCIDENTAL, CONSEQUENTIAL, PUNITIVE, INDIRECT OR EXEMPLARY DAMAGES OF ANY KIND, INCLUDING LOST PROFITS OR REVENUE, HOWEVER CAUSED, WHETHER FOR BREACH OR REPUDIATION OF CONTRACT, TORT, BREACH OF WARRANTY, NEGLIGENCE, OR OTHERWISE, WHETHER OR NOT COMPANY WAS ADVISED OF THE POSSIBILITY OF SUCH LOSS OR DAMAGES.

Some states do not allow exclusion or limitation, so this may not apply to you. This warranty gives you specific legal rights, and you may have other rights which vary from state to state.

EXCLUSIONS TO THE WARRANTY

The Limited Warranty excludes, and Bestop is not liable in any way for any warranty claims, damages, or defects related to:

- Misuse, abuse, accidents, vandalism, negligence, fire, or improper installation or modification, or improper or inadequate maintenance;
- Failure to comply with any Product documentation, Bestop instructions, or applicable law or regulations; use in extreme conditions
- Force Majeure including but not limited to, earthquake, hurricane, tornado, flooding, or other disasters natural or man-made, civil unrest, strikes, declared or undeclared war, or lack of performance by, or discontinued product of, supply chain partners whose products, software, operations or management is beyond the control of Bestop;
- Damage resulting in breakage (including without limitation, spontaneous breakage, accidental breakage or breakage by any other means) of a Product or any component part;
- Damage to vinyl windows due to misuse, or cracking due to varying weather conditions.

YOUR SOLE REMEDY

During the applicable warranty period, Bestop shall, at its option, either repair or replace any Product that it confirms, in its discretion, is non-compliant with the warranties herein. Bestop will not pay for labor charges associated with installation or removal of the Product. Should a specific Product be discontinued, Bestop may, at its option, replace the discontinued Product with a current product or like product.

Please retain your proof of purchase. Original proof of purchase for the Product must accompany any warranty claim. If you have a warranty claim, first you must email Bestop Customer Service at csbestop@bestop.com for instructions. All claims must be emailed to csbestop@bestop.com within 30 days of discovery of a defective Product, but in no event later than thirty days after the end of the applicable Warranty Period (the "Warranty Notice Period"). Warranty claims made after the Warranty Notice Period are null and void and Bestop shall have no responsibility with respect to such claims.

THIS SECTION SETS FORTH BESTOP'S SOLE OBLIGATION & YOUR SOLE REMEDY WITH RESPECT TO ANY DEFECTS OR OTHER PRODUCT ISSUE. ANY PRODUCTS REPLACED UNDER TERMS OF THIS WARRANTY WILL BE COVERED UNDER TERMS & BALANCE OF THE DURATION OF THE ORIGINAL LIMITED WARRANTY FOR SUCH PRODUCT.



Installation Instructions Front 2-Piece Doors with Rotary Latch

Vehicle Application:
Jeep® JL Wrangler Unlimited
2018-current
Part Number 51750

COVERED PRODUCTS AND WARRANTY PERIODS: The warranty time periods are as follows for Products manufactured by Bestop:

BESTOP® LIMITED LIFETIME WARRANTY

Trektop® Pro Twill Fabric Top Sunrider® for Hardtop Twill Fabric Top
Trektop® NX Glide Twill Fabric Top Replace-a-Top™ Twill Fabric Top
Trektop® NX Twill Fabric Top Supertop® NX Twill Fabric Top
EZFold™ Soft Tonneaus Floor & Cargo Liners
ZipRail™ Soft Tonneaus Pet Barriers
EZRoll™ Soft Tonneaus

BESTOP® 5-YEAR LIMITED WARRANTY

Trektop® NX Glide™ Top (non-Twill) Sunrider® for Hardtop (non-Twill) Replace-a-Top™ Top (non-Twill) Trektop® NX Top (non-Twill)
Sailcloth Replace-a-Top™ Supertop® NX Top (non-Twill)
Tigertop™ and Halftop™ Supertop® Classic Soft Top Sunrider® Complete Soft Top Supertop® for Truck
EZ Fold Hard Tonneau

BESTOP® 3-YEAR/100K MILES LIMITED WARRANTY

Powerboard® & Powerboard® NX

Trekstep®, Side Mount
Trekstep®, Rear Mount

BESTOP® 3-YEAR LIMITED WARRANTY

Pavement Ends Sprint Top

BESTOP® 2-YEAR LIMITED WARRANTY

Trektop® Classic Soft Top
RoughRider™ Soft Storage

BESTOP® 1-YEAR LIMITED WARRANTY

All other Bestop® & Pavement Ends™ products not specified above.

For further information or request for warranty work, please contact:

Bestop Inc. Customer Service
Toll-Free: (800)845-3567
Main: (303)465-1755
E-mail: csbestop@Bestop.com
Website: www.Bestop.com