



Replay Top

Installation Instructions

For: Tracker/Sidekick
1995 – 1998
Part Number: 51380



Installation Tips

Before you begin installing this assembly, read all instructions thoroughly.

For a smooth fit:

For ease in installation, the product should be installed at temperatures above 72° F. Below this temperature, the fabric may contract an inch or more, making it difficult to fit to the vehicle. It is normal for fabric to contract and wrinkle when stored in the shipping carton. Within a few days after the installation, the fabric will relax and the wrinkles will disappear.



WARNING

This product is designed to enhance the appearance of the vehicle. Do not rely in any way on the components of this product to contain occupants within the vehicle, or to protect against injury or death in the event of an accident. Never operate vehicle in excess of manufacturer's specifications.

WEAR SEAT BELTS AT ALL TIMES

Read and follow, precisely, all installation instructions provided when installing this product. Failure to do so could place occupants of the vehicle in a potentially dangerous situation. After installing or reinstalling, check to make sure it has been properly installed.

Table of Contents

REPLAY TOP PARTS LIST.....	PAGE 2
REPLAY TOP INSTALLATION.....	PAGE 2
REPLAY TOP WARRANTY	PAGE 10



CAUTION

Safety glasses should be worn at all times while installing this product.

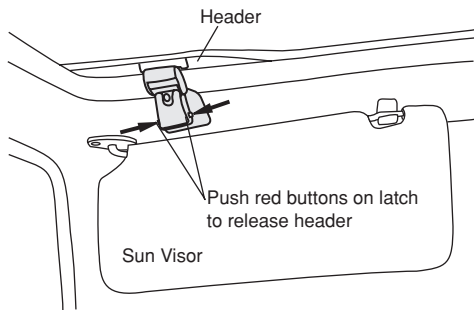
Step One

OPEN HEADER

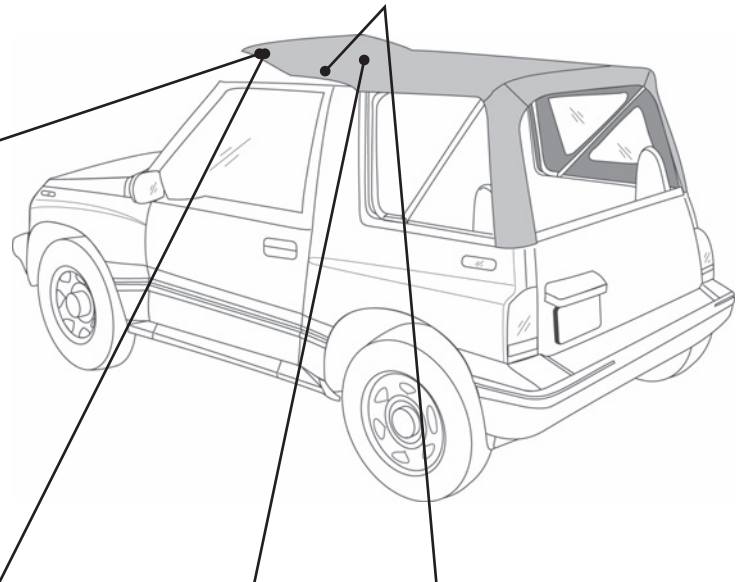
Remove the old top.

Orient the top of the vehicle. The pocket sewn into the top should be toward the front.

To open the header, push the red buttons on each side of the latch that attaches the header to the windshield. Open the header and push it back.



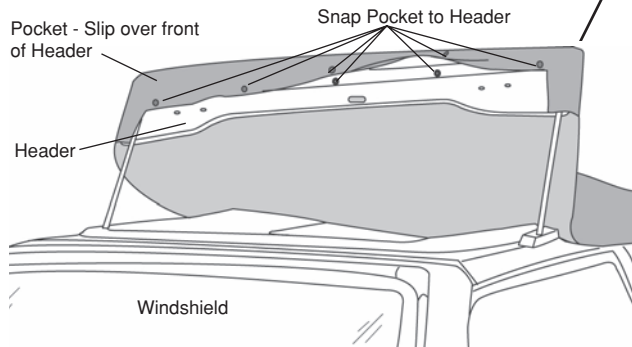
Parts List	
Fabric Top	Qty - 1
Quarter Window, Right	Qty - 1
Quarter Window, Left	Qty - 1
Rear Window	Qty - 1



Step Two

SECURE TOP TO HEADER

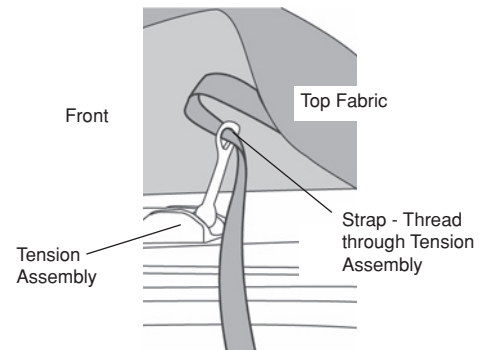
Slip the pocket sewn into the front of the top over the front edge of the header. Snap the five snaps along the pocket to the snap heads on the header.



Step Four

THREAD STRAPS THROUGH TENSION ASSEMBLY

Locate the straps sewn to the top above the door on each side of the vehicle. Thread the straps through the tension assembly on each side of the vehicle. Do not snap at this time.

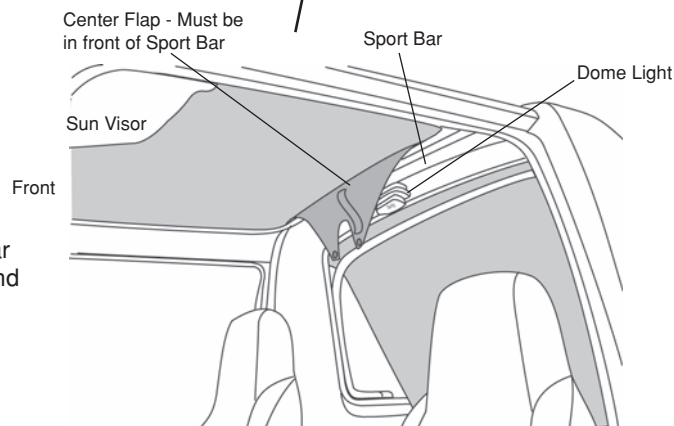


Step Three

SNAP CENTER FLAP

Push the header forward to close it, but do not latch it at this time.

Make sure that the snaps on the center flap on the inside of the top are in front of the Sport Bar and the hook and loop sewn to the flap is behind the Sport Bar.



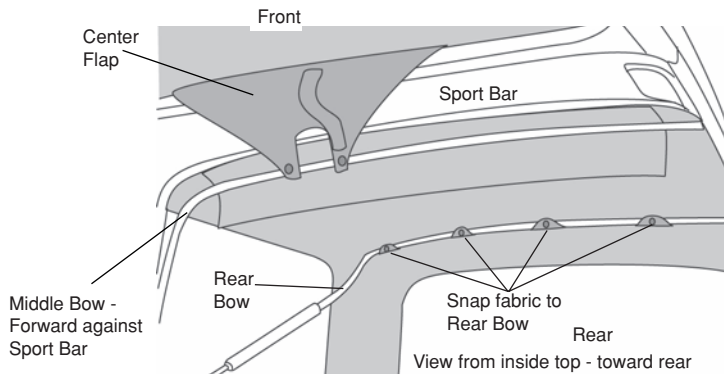
Step Five

SECURE REAR BOW

Make sure that the middle bow is forward, up against the Sport Bar.

Open the header and push it back.

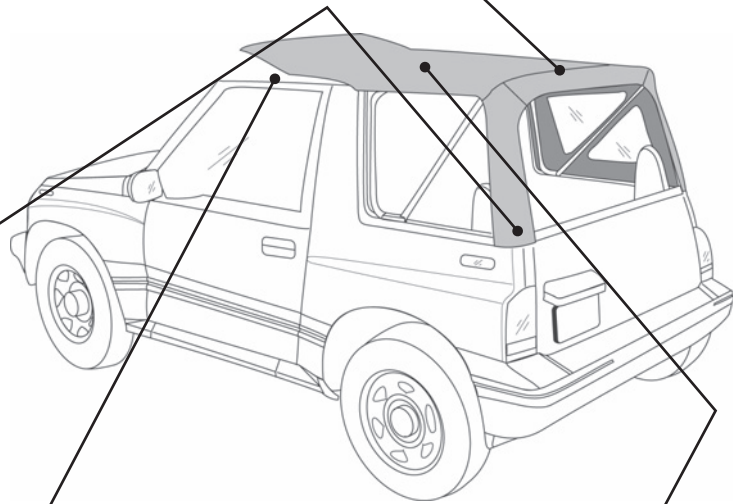
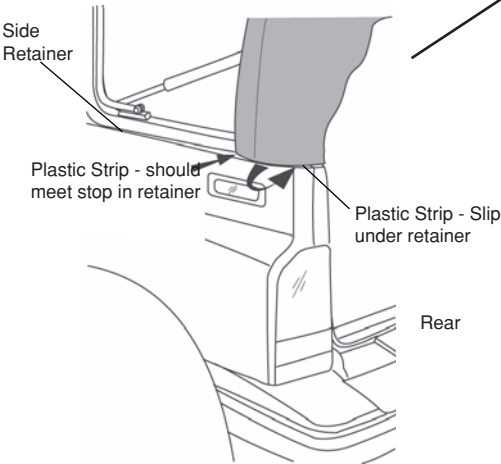
Lift up the rear of the top and slip the Rear Bow into the rear corners of the fabric. Snap the 5 snaps in the fabric to the snap heads on the bow.



Step Six

SECURE REAR CORNERS

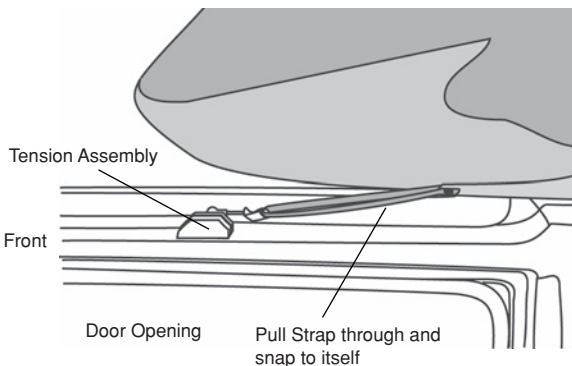
Locate the plastic strip sewn into the bottom of the rear legs of the top. Slip the plastic strip into the retainer on the rear corners of the vehicle. The front edge of the plastic strip should be far enough forward to touch the stop in the retainer.



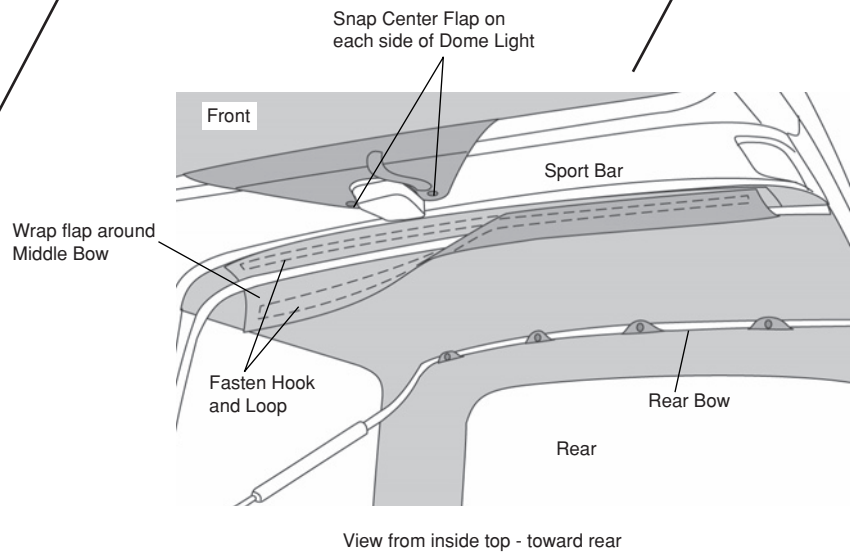
Step Seven

SECURE TENSION STRAP

Pull the Tension Strap above the doors, through the Tension Assembly and snap it to itself.



Snap Center Flap on each side of Dome Light



Step Eight

SECURE CENTER FLAPS

Close and clamp the header to the windshield.

Inside the vehicle, snap the Center Flap to the snap heads on the Sport Bar. The flap will snap on each side of the Dome Light.

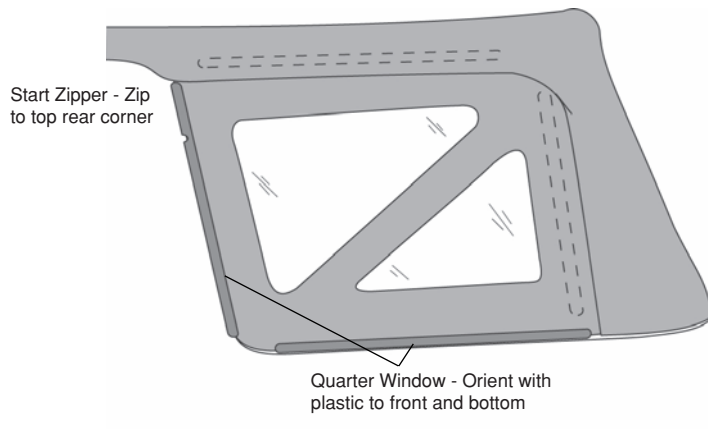
Locate the flap on the inside of the top just behind the Center Bar. Wrap the flap around the middle bow and fasten the hook and loop, sewn to the flap.

Step Nine

INSTALL QUARTER WINDOWS

Locate the Quarter Windows and orient them with the plastic strips along the front and bottom edges. The two flaps on the top of the Quarter Windows will sandwich the interior flap in the top above the window openings.

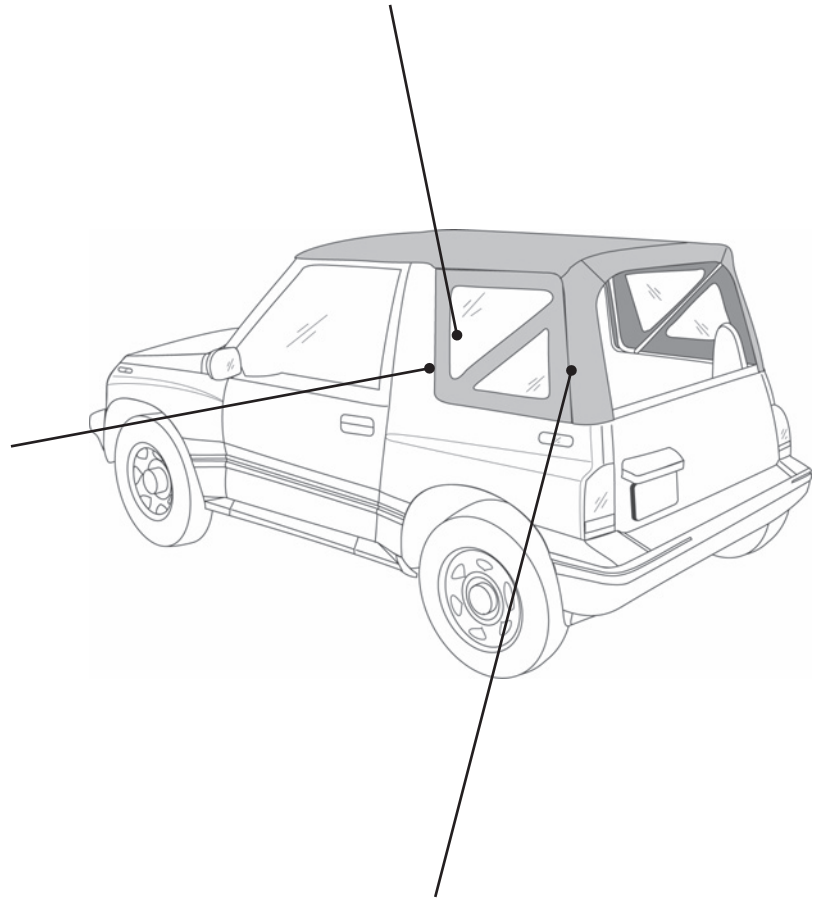
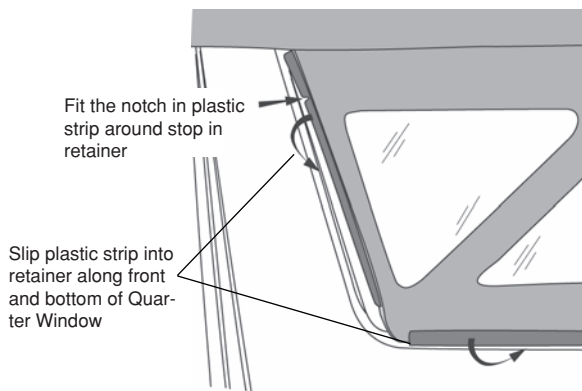
Start the zipper at the top front of the Quarter Window and close it to the top, rear corner.



Step Ten

SECURE QUARTER WINDOWS

The plastic strip sewn to the front edge of the Quarter Window is notched to fit around the stop in the retainer. Working the notch around the stop, slip the plastic into the retainer along the front and bottom edges of the Quarter Window.

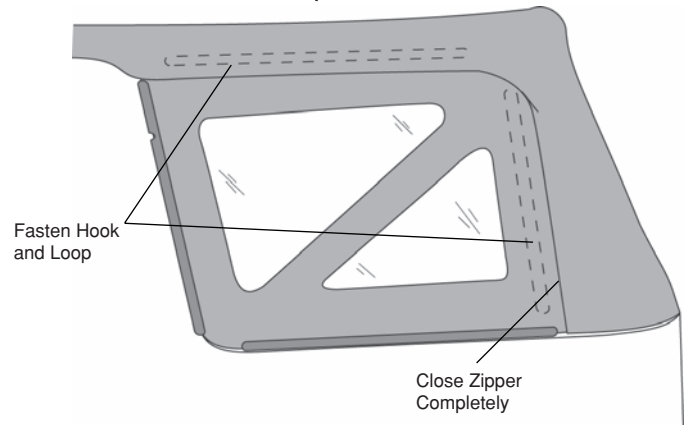


Step Eleven

SECURE QUARTER WINDOWS

Once the plastic strip is in place along the bottom of the Quarter Window, give the window a sharp tug to the rear to assist in closing the zipper completely.

Fasten the hook and loop sewn along the top, outside of the Quarter Window and the inside of the top flap. Then fasten the hook and loop sewn along the rear of the Quarter Window.



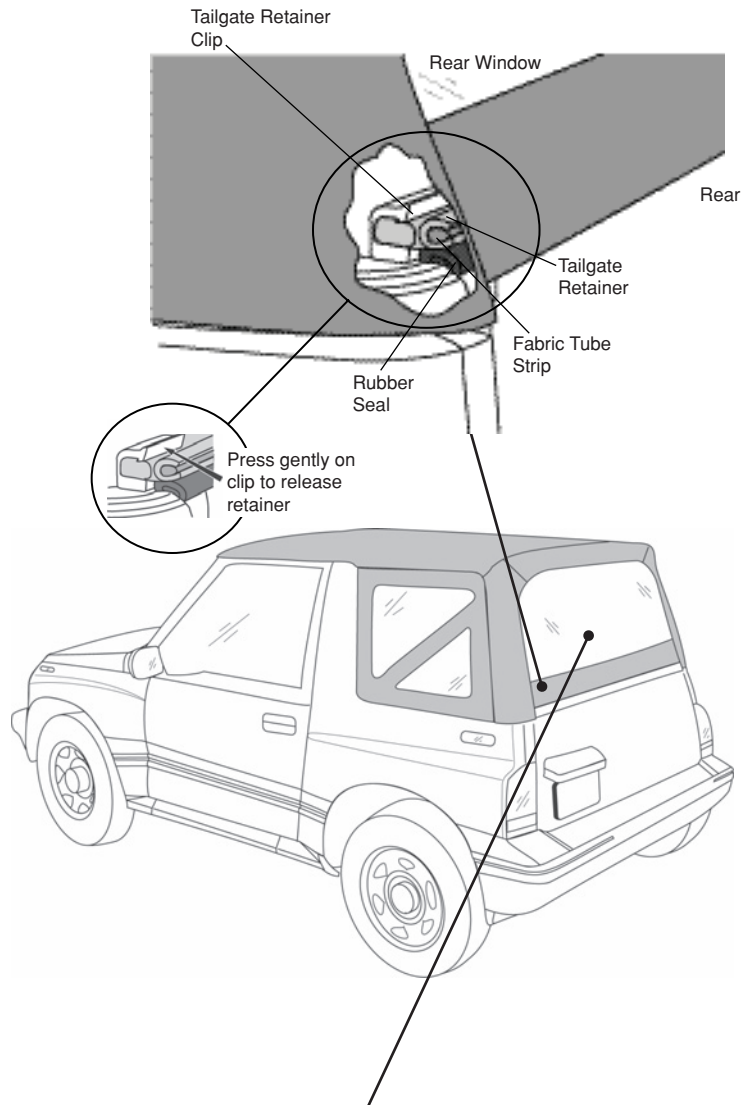
Step Twelve

INSTALL TAILGATE RETAINER

Remove the Tailgate Retainer from the clips on each side of the tailgate opening. (Press gently on Retainer to release.)

Orient the Rear Window with the vinyl out and the zipper toward the top. Slide the Tailgate Retainer onto the tube strip sewn just inside the bottom edge of the Rear Window.

Slip the Tailgate Retainer back into the clips on the vehicle. On the left hand side press in sharply to engage the retainer.

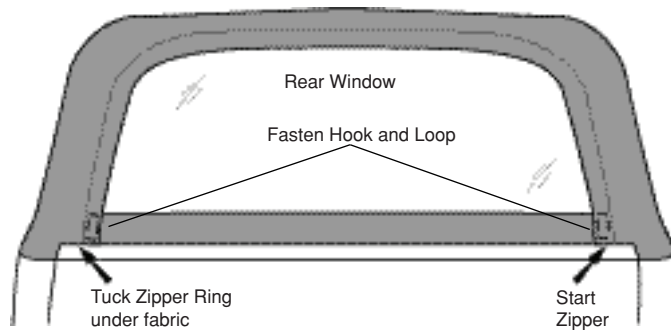


Step Thirteen

CLOSE REAR WINDOW ZIPPER

Start the zipper on the right hand side of the Rear Window and zip completely closed. Tuck the zipper ring up under the fabric to keep it out of the hook and loop.

Fasten the hook and loop sewn on each side of the Rear Window.



Care and Maintenance of your New Top

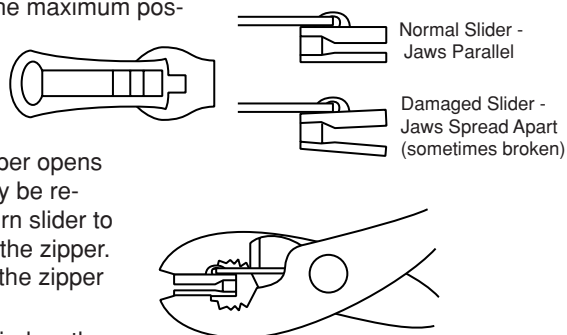
Your top is made of the finest materials available. To keep it looking new and for the maximum possible wear, it will need periodic cleaning and maintenance.

Washing: The fabric should be washed often using soap, warm water and a soft bristle brush. Rinse with clear water to remove all traces of soap.

Zippers: Keeping the zipper cleaned and lubricated with a silicone lubricant will help prevent damage and keep the zippers in a smooth working condition. If a zipper opens behind the slider, the slider may have been spread apart. This problem can usually be repaired by using an ordinary pair of pliers to bring the sides back into parallel. Return slider to the end of the zipper in the normal Open position. Squeeze lightly at first and test the zipper. If the zipper continues to remain open squeeze more firmly with the pliers and try the zipper again. Repeat this procedure until the zipper operates correctly.

Water: In the event of seeping through the seams, 3M Scotchgard® may be applied on the inside of the seams to stop the seepage. Rips in the fabric may be repaired with Bondex® iron on patches. Iron the patches to the Inside of the top, carefully following the Bondex® instructions.

Snaps: Keep snaps cleaned and lubricated with silicone to help prevent snaps from sticking to the studs. If a snap does become stuck to a stud, use a screwdriver and GENTLY pry apart to prevent permanent damage to the snap or the top fabric.



LIMITED WARRANTY

We warrant our product to be free from defects in material and workmanship, for terms specified below, provided there has been normal use and proper maintenance. This warranty applies to the original purchaser only. All remedies under this warranty are limited to the repair or replacement of any item or items found by the factory to be defective within the time period specified.

If you have a warranty claim, first you must call our factory at the number below for instructions. You must retain proof of purchase and submit a copy with any items returned for warranty work. Upon completion of warranty work, if any, we will return the repaired or replaced item or items to you freight prepaid. Damage to our products caused by accidents, fire, vandalism, negligence, misinstallation, misuse, Acts of God, or by defective parts not manufactured by us, is not covered under this warranty.

THE WARRANTY TIME PERIOD IS AS FOLLOWS: ALL "GOODS" MANUFACTURED BY OUR COMPANY: ONE YEAR FROM DATE OF PURCHASE.

ANY IMPLIED WARRANTIES OF MERCHANTABILITY AND/OR FITNESS FOR A PARTICULAR PURPOSE CREATED HEREBY ARE LIMITED IN DURATION TO THE SAME DURATION AND SCOPE AS THE EXPRESS WRITTEN WARRANTY. OUR COMPANY SHALL NOT BE LIABLE FOR ANY INCIDENTAL OR CONSEQUENTIAL DAMAGE.

Some states do not allow limitations on how long an implied warranty lasts, or the exclusion or limitation of incidental or consequential damages, so the above limitations or exclusions may not apply to you.

This warranty gives you specific legal rights, and you may also have other rights which vary from state to state.

For further information, please contact:

Customer Service
877-638-9509