

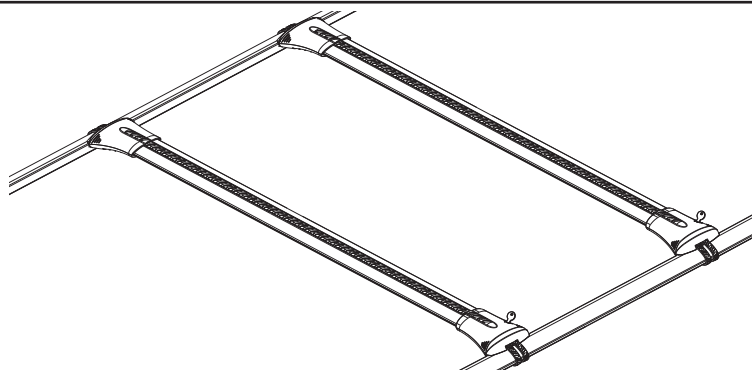


RHINO-RACK

STEALTHBAR™ RSB01-07

CONTROLLED

- Important:**
- 1. Please refer to your fitting instruction to ensure that the roof racks are installed in the correct locations.
 - 2. Check the contents of kit before commencing fitment and report any discrepancies.
 - 3. Place these instructions in the vehicle's glove box after installation is complete.
 - 4. These instructions must be followed for warranty to be upheld.



Important Information

Please refer to your vehicle manufacturers handbook for maximum carrying capacity. Use the manufacturers specified weight limit and the table below to calculate your on and off road cargo allowance.

On Road Cargo Allowance	Off Road Cargo Allowance	Roof Allowance	Rack Weight
(Vehicle manufacturer specified) - 5kg/11lbs	((Vehicle manufacturer specified) - 5kg/11lbs) divided by 1.5	Vehicle manufacturer specified	5kg / 11lb

Roof Allowance: Total permissible weight attached to the roof of the car. This is inclusive of the weight of the roof rack system

Cargo Allowance: Total permissible weight allowed on top, and attached to roof racks whilst the vehicle is in motion

Static Allowance: Total permissible weight allowed on top, and attached to roof racks whilst the vehicle is stationary.

Load must be evenly distributed over the entire roof rack system. Weight of roof rack accessories is to be included in cargo allowance.

Torque settings

Unless stated otherwise in these instructions, all fasteners should be set to the following torque settings -

M6: 4-5Nm (3-4lbs/ft), M8: 8-10Nm (6-7.5lbs/ft) and M10: 16-18Nm (12-13lbs/ft).

Warning:

- Check Part No. and/ or Kit is correct for use with your vehicle
- Do not attempt to fit the rack system to your vehicle unless you fully understand these fitting instructions. Please direct any questions regarding fitting to the dealer from where the roof racks were purchased.
- **Use only non-stretch fastening ropes or straps.**
- The handling characteristics of the vehicle changes when you transport a load on the roof. For safety reasons we recommend you exercise extreme care when transporting wind-resistant loads. Special consideration must be taken into account when cornering and braking.
- Although the system is tested and approved to AS1235-2000 / ISO 11154, off-road conditions can be much more rigorous. Extreme care must be taken in off road conditions.
- Roof racks must be removed when vehicle is put through an automatic car wash.

Recommendations:

It is essential that all bolt connections be checked after driving a short distance when you first install your roof racks. Bolt connections should be checked again at regular intervals (once a week is enough, depending on road conditions, usage, loads and distances travelled). You should also check the roof racks each time they are re-fitted. Always make sure to fasten your load securely. Please also ensure that all loads are evenly distributed and that the centre of gravity is kept as low as possible and must be entirely contained within the extents of the roof racks.

Note for Dealers and Fitters:

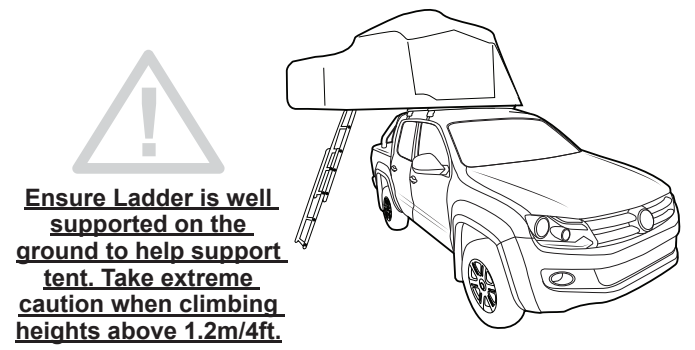
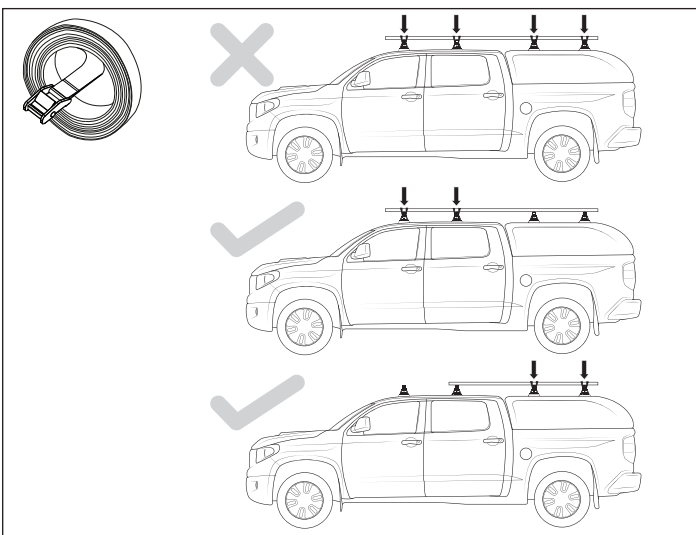
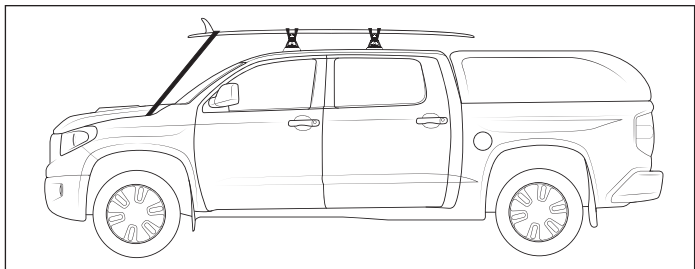
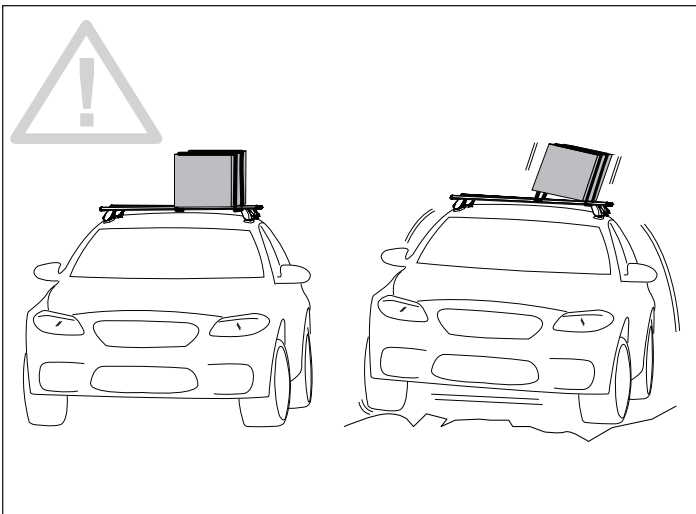
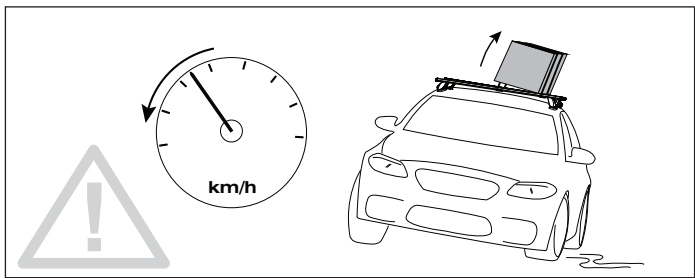
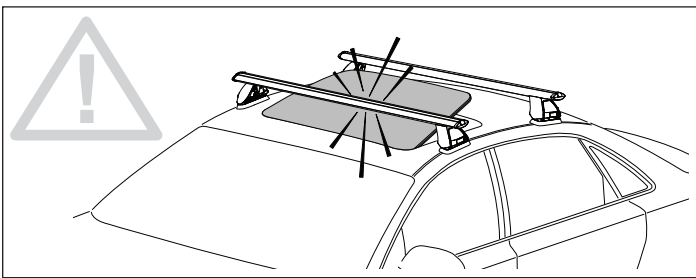
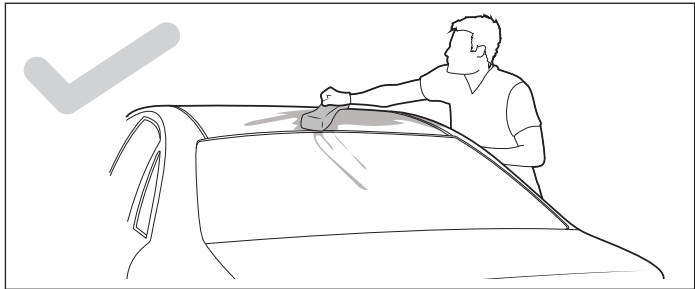
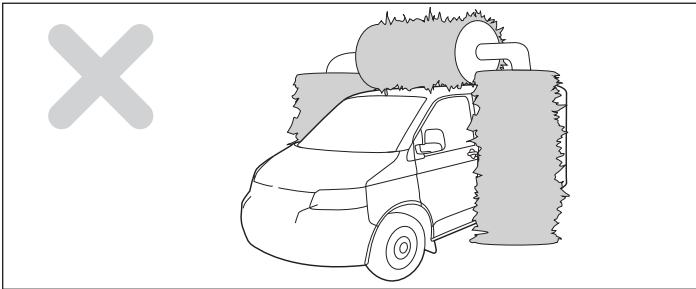
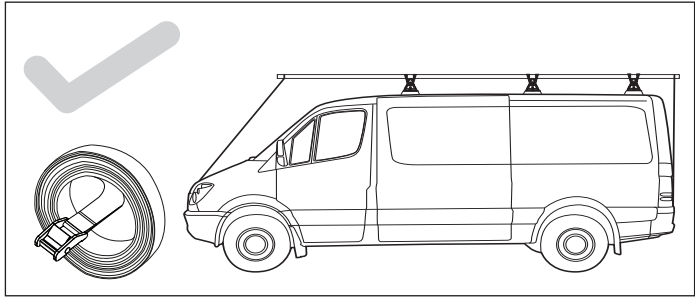
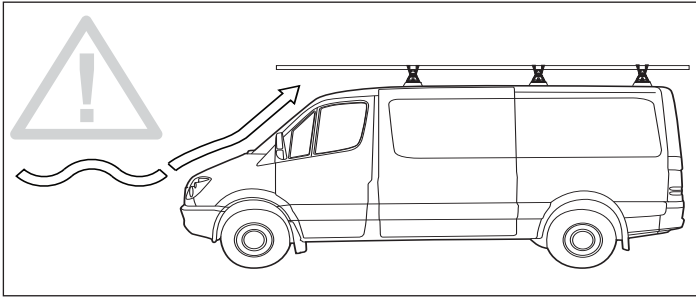
It is your responsibility to ensure these fitting instructions are given to the end user or client

Rhino-Rack, 22 Hanson Pl, Eastern Creek
NSW 2766, Australia
(02) 8846 1900
rhinorack.com.au

Document No: R504
Issue No: 11
Issue Date: 08/05/2019

These instructions remain the property of Rhino-Rack Australia Pty. Ltd. and may not be used or changed for any other purpose than intended.

STEALTHBAR™ RSB01-07



STEALTHBAR™ RSB01-07

Item	Component RSB01S/B	Qty	Part No.
1	Crossbar 725mm	1	A685/A707
2	RSB Leg Assembly Left	1	CA1411
3	RSB Leg Assembly Right	1	CA1412
4	Vortex Generating Strip	2	M626
5	Instructions	1	R504

Item	Component RSB05S/B	Qty	Part No.
1	Crossbar 965mm	1	A689/A711
2	RSB Leg Assembly Left	1	CA1411
3	RSB Leg Assembly Right	1	CA1412
4	Vortex Generating Strip	2.5	M626
5	Instructions	1	R504

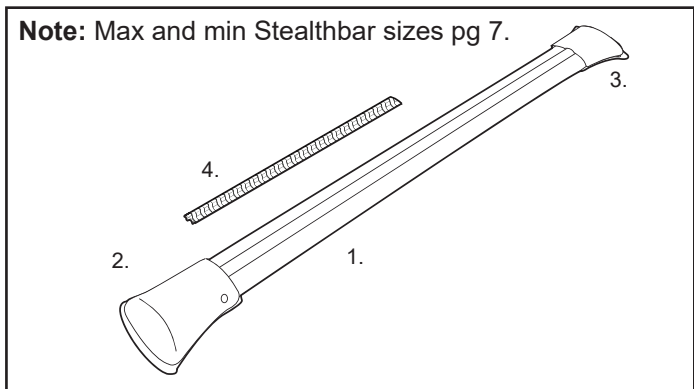
Item	Component RSB02S/B	Qty	Part No.
1	Crossbar 785mm	1	A686/A708
2	RSB Leg Assembly Left	1	CA1411
3	RSB Leg Assembly Right	1	CA1412
4	Vortex Generating Strip	2	M626
5	Instructions	1	R504

Item	Component RSB06S/B	Qty	Part No.
1	Crossbar 1025mm	1	A690/A712
2	RSB Leg Assembly Left	1	CA1411
3	RSB Leg Assembly Right	1	CA1412
4	Vortex Generating Strip	3	M626
5	Instructions	1	R504

Item	Component RSB03S/B	Qty	Part No.
1	Crossbar 845mm	1	A687/A709
2	RSB Leg Assembly Left	1	CA1411
3	RSB Leg Assembly Right	1	CA1412
4	Vortex Generating Strip	2.5	M626
5	Instructions	1	R504

Item	Component RSB07S/B	Qty	Part No.
1	Crossbar 1075mm	1	A691/A713
2	RSB Leg Assembly Left	1	CA1411
3	RSB Leg Assembly Right	1	CA1412
4	Vortex Generating Strip	3	M626
5	Instructions	1	R504

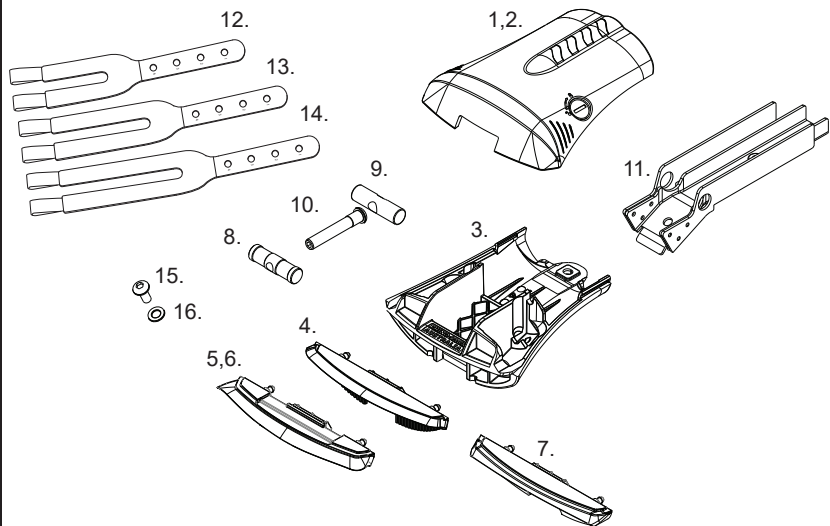
Item	Component RSB04S/B	Qty	Part No.
1	Crossbar 905mm	1	A688/A710
2	RSB Leg Assembly Left	1	CA1411
3	RSB Leg Assembly Right	1	CA1412
4	Vortex Generating Strip	2.5	M626
5	Instructions	1	R504



Note: Allen key, gaskets and metal locking key provided in carton.

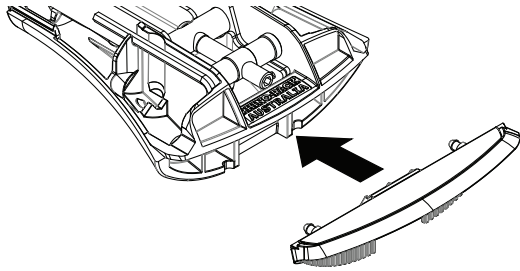
Tools Required: Clean cloth.

Item	Leg Component Breakdown	Part No.
1	Left Cover	M727
2	Right Cover	M728
3	Main Body	M726
4	Rubber Gasket	M729
5	Rubber Gasket RAV4 LH	M824
6	Rubber Gasket RAV4 RH	M825
7	Round Bar Gasket	M873
8	Barrel Nut M8 Thread	N072
9	Barrel no Thread	N073
10	M8 Threaded Bolt	B213
11	Main Internal Support	CA1321
12	Strap Short 256mm	CA1319
13	Strap Long 297mm	CA1320
14	Strap X-Long 356mm	CA1683
15	M6 x 15mm Btn Head Screw blk	B273
16	M6 x 12mm Flat Washer blk	W003-BLK

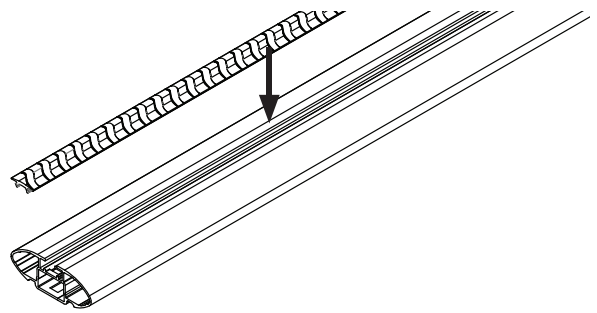


STEALTHBAR™ RSB01-07

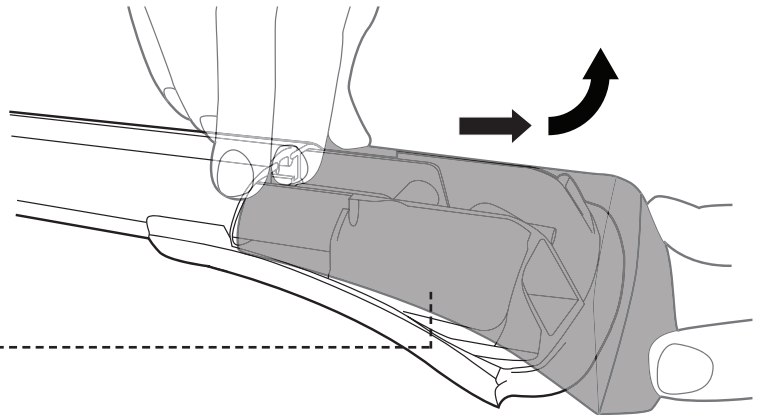
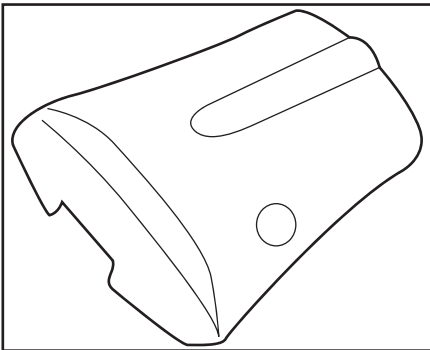
- 1** Insert the gaskets into the ends of the leg assemblies as shown. Gaskets provided in RSK01-RSK02.



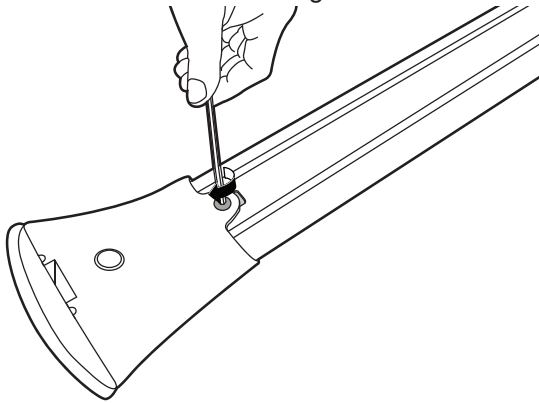
- 2** Insert vortex generating strips into the crossbars.



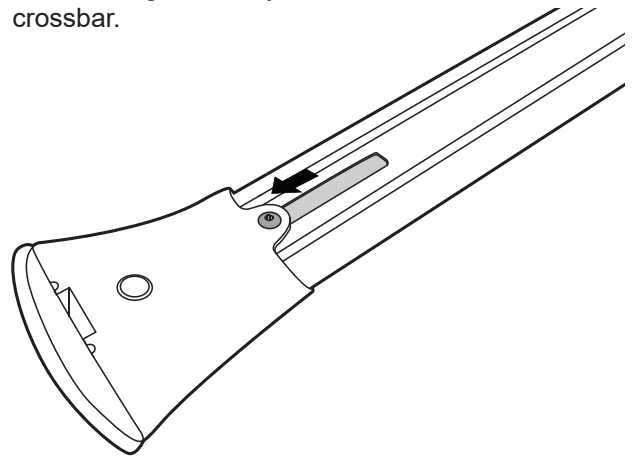
- 3** Remove the cover plate from both ends of the crossbar.



- 4** Turn the crossbar over, using the Allen key loosen the dome head bolt and flat washer at the rear underside of the mount leg.

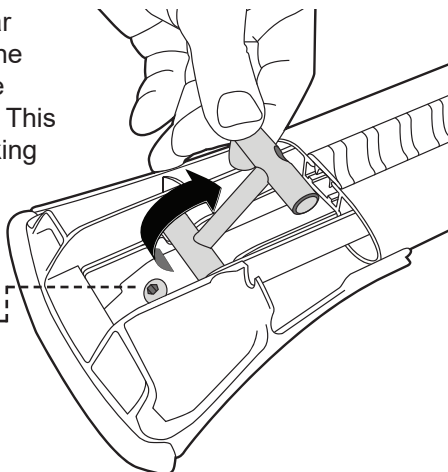


- 5** Slide the leg assembly toward the end of the crossbar.

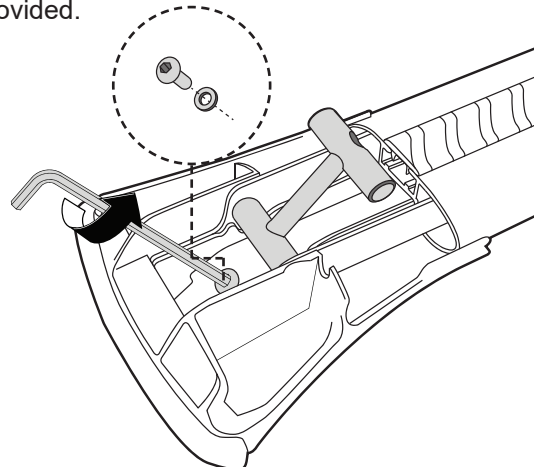


- 6** Turn the crossbar upright. Rotate the locking hardware within as shown. This exposes the locking securing screw.

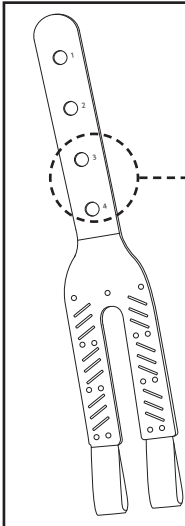
Locking securing screw.



- 7** Remove the locking security screw with the allen key provided.

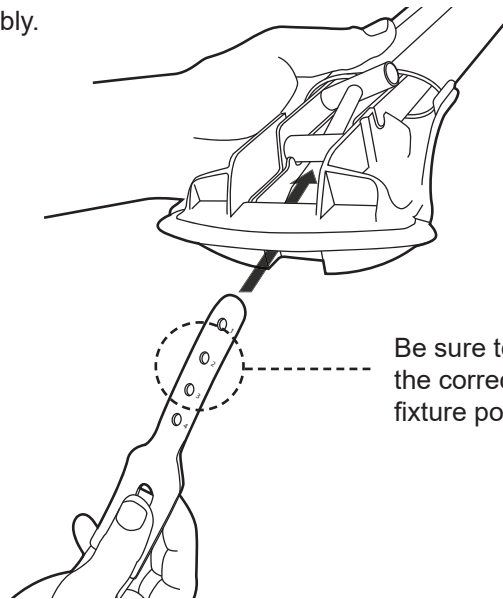


8 Slide the locking strap into the underside of the leg assembly.



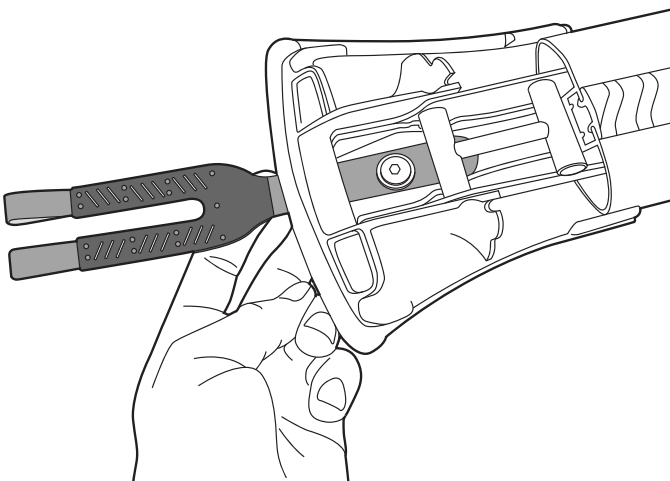
Consult the 'fit my car' tab at www.rhinorack.com.au for specific instructions for your vehicle.

Fixture points used will vary from vehicle to vehicle.

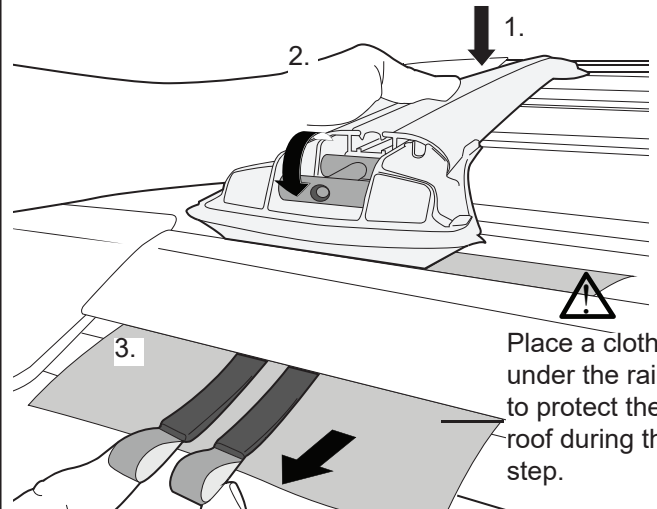


Be sure to use the correct fixture point.

9 By viewing the supplement vehicle fit sheet, assert whether to use holes 1,2,3,or 4 on the locking strap. When the correct fit has been obtained replace hardware removed in step 6, tighten with the allen key



10 Move to the roof of the vehicle. 1: Place crossbar onto the factory roof rails. 2: Flip the locking hardware back to its original position. 3: Pull the locking tab under the factory roof rails.



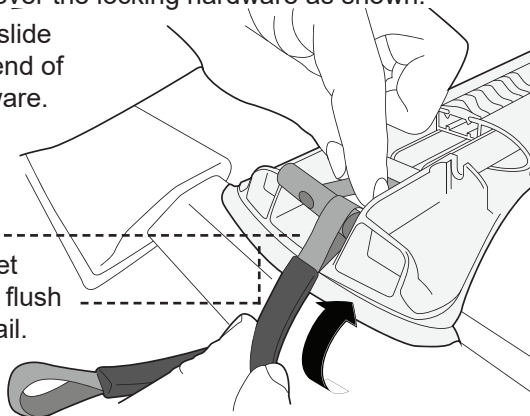
Place a cloth under the rail to protect the roof during this step.

Note: Longer Crossbar to the Front, shorter Crossbar to the Rear.

11 Slide one of the loops on the arms of the locking strap over the locking hardware as shown.

The loop slide over the end of the hardware.

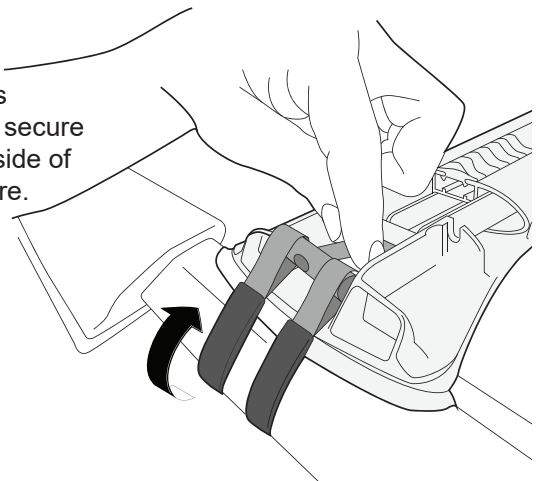
The gasket should sit flush with the rail.



! Beware: Edges of Metal Loops can be sharp, avoid contact. Use extreme caution when fitting.

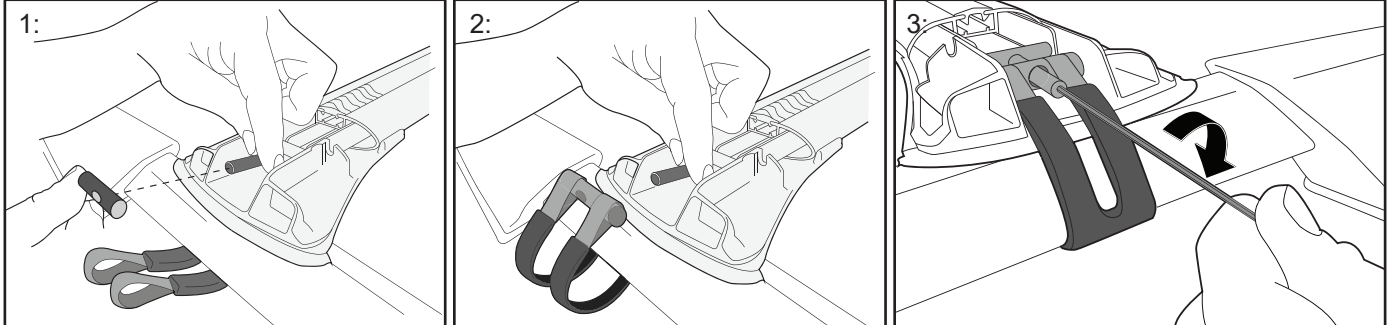
12 Slide the second loop on the arms of the locking strap over the locking hardware as shown.

Both loops should be secure on either side of the hardware.

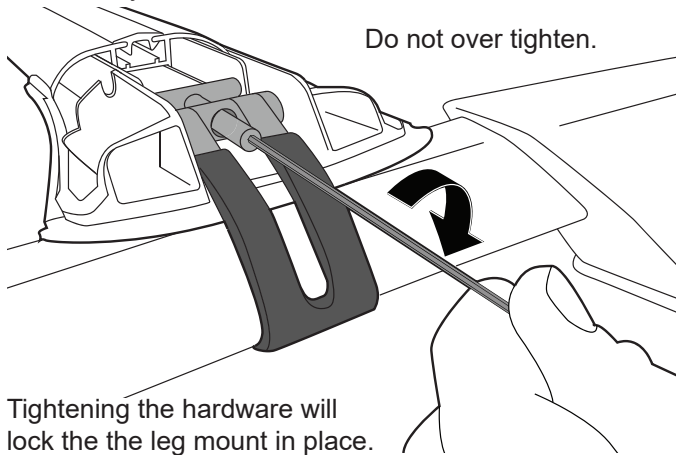


STEALTHBAR™ RSB01-07

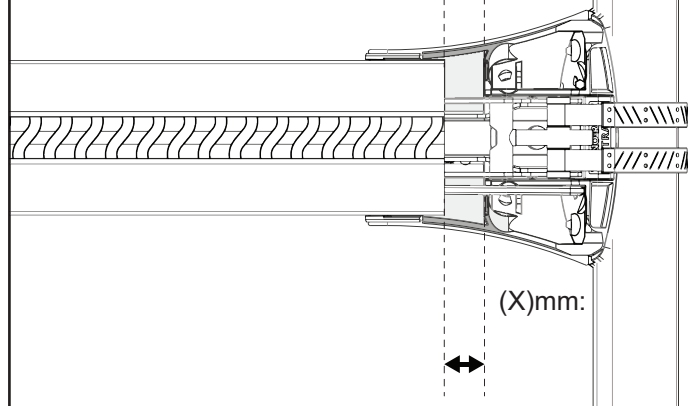
Note If the strap is too short to reach the preassembled barrel: 1 - Remove the barrel from the stud. 2 - Slide the barrel into the loops of the locking tab. 3 - Line the barrel flush with the end of the stud. 4 - Slide the allen key through the barrel and into the stud, as the allen key turns the barrel will lock onto the thread of the stud.



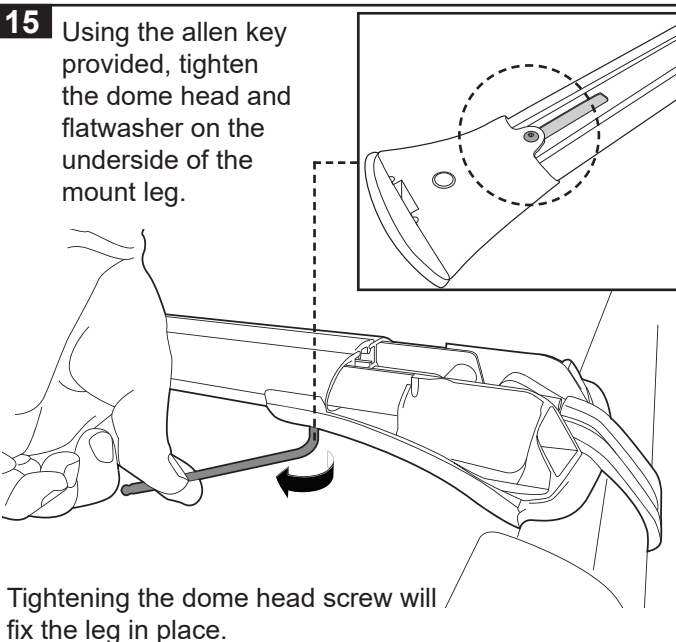
13 Using the allen key provided, tighten the locking hardware as shown. Make sure bar is positioned evenly on the vehicle.



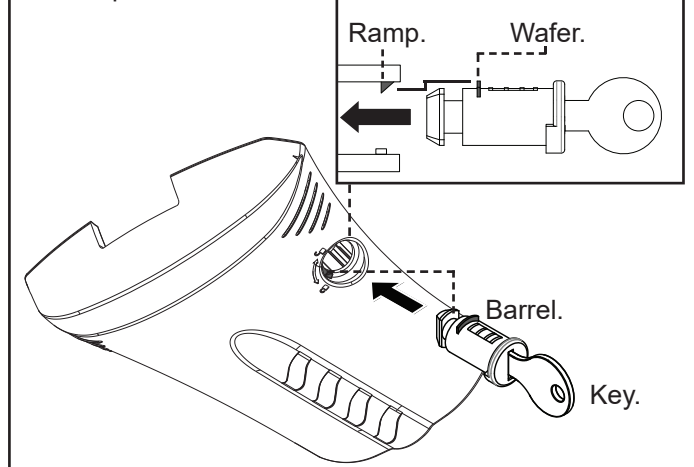
14 Measure dimensions X on both sides of the vehicle and divide by 2 to find an average. Check both sides of the bar are even.



15 Using the allen key provided, tighten the dome head and flatwasher on the underside of the mount leg.

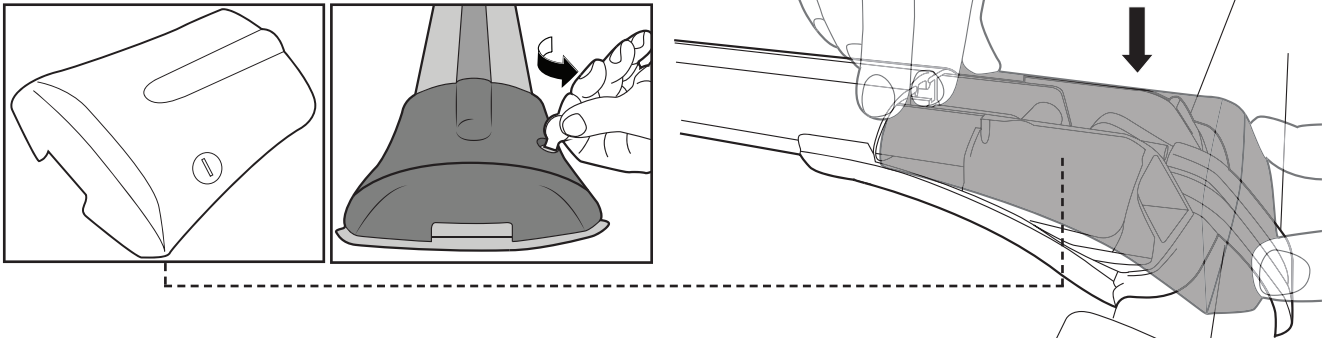


16 Insert metal key into the barrel. Line the final wafer on the barrel up with the ramp in the units barrel housing. Push the barrel home into the housing, the wafer will click into position locking the barrel in place.

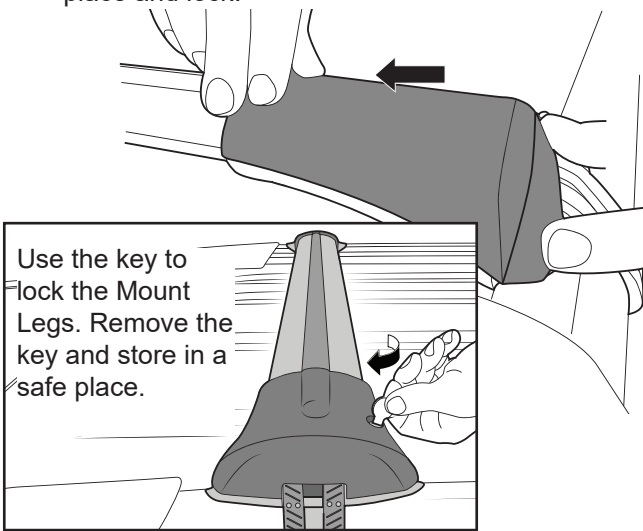


STEALTHBAR™ RSB01-07

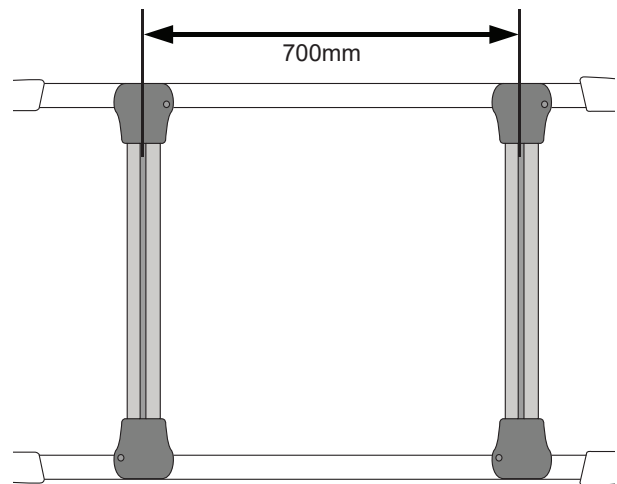
17 Place the Mount Leg Cover Plate onto the front of the leg as shown. The lock must be set to an 'unlocked' position to complete.



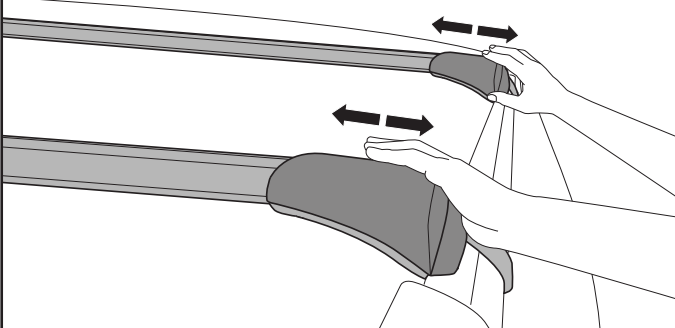
18 Slide the Cove Plate backward until it fixes into place and lock.



19 Top View: For Optimal spacing keep bars at a minimum distance of 700mm center to center.

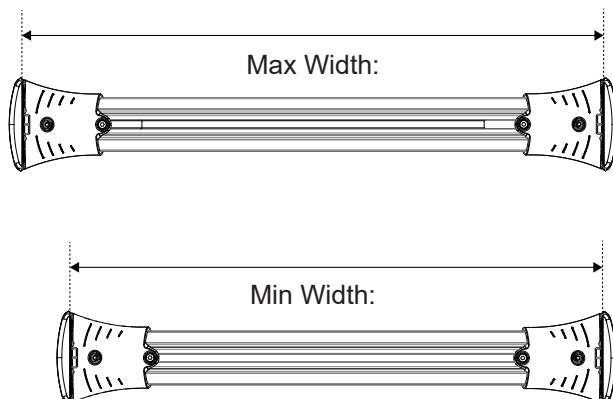


20



Check the bars are set securely before driving. If crossbars can slide, repeat step 13.

Note Underside of Crossbar shown. Minimum and maximum widths of Stealthbar (Gasket to Gasket).



Stealthbar	Min Width	Max Width
RSB01S/B - 725mm	845mm	945mm
RSB02S/B - 785mm	905mm	1005mm
RSB03S/B - 845mm	965mm	1065mm
RSB04S/B - 905mm	1025mm	1125mm
RSB05S/B - 965mm	1085mm	1185mm
RSB06S/B - 1025mm	1145mm	1245mm
RSB07S/B - 1075mm	1195mm	1295mm