





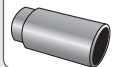



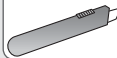

# Installation Instructions

## KNOCK DOWN INSTATRUNK™

### Vehicle Application:

- Jeep® Wrangler and Wrangler Unlimited  
1997 - 2006  
Part Number: 42701

[www.Bestop.com](http://www.Bestop.com) - We're here to help! Visit our web site and click on "[Ask a Question](#)". Click here for more [Jeep® Accessories by Bestop](#).

INSTALLATION TIME	SKILL LEVEL		
 1/2 Hour	 1 - Easy		
TOOLS			
 Socket 10 mm	 Ratchet	 Wrench 9/16", 13mm, 10mm	 Power Drill 1/8" and 13/32" bits
 Utility Knife	 Safety Glasses		



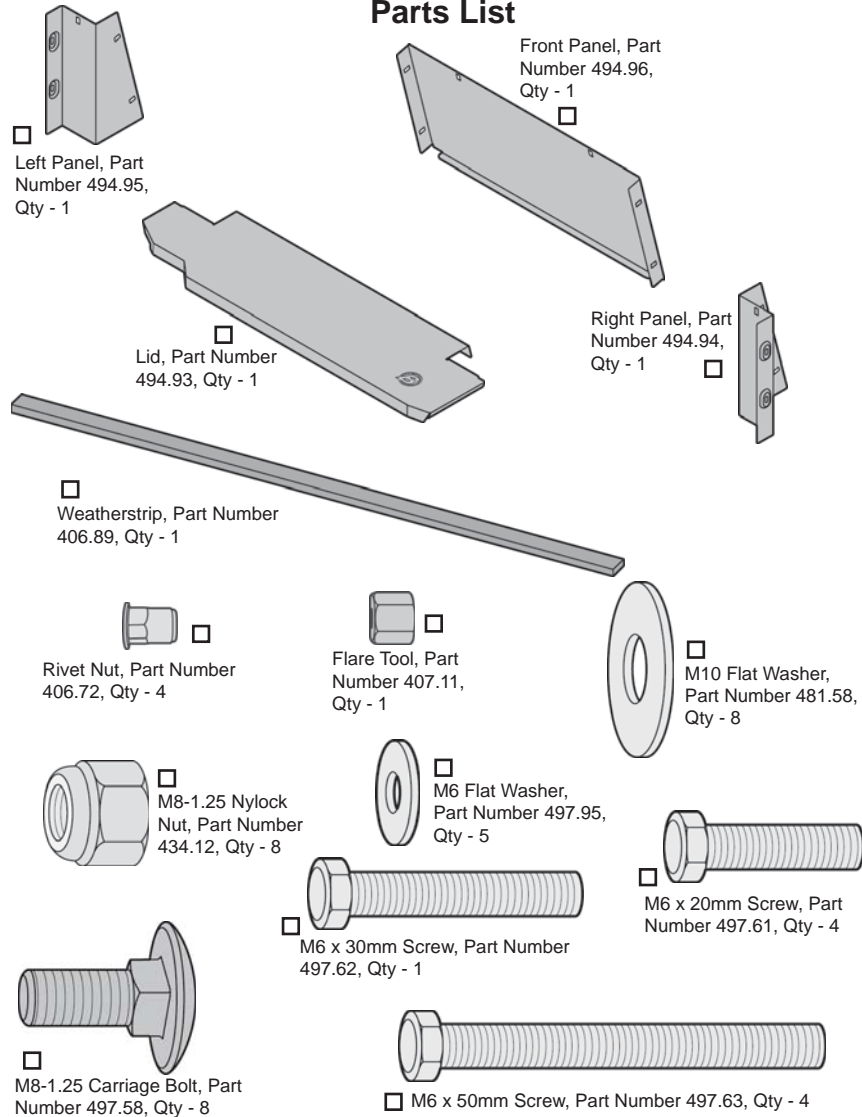
**⚠ WARNING** This product is designed primarily to enhance the appearance of the vehicle. Do not rely in any way on the components of this product to protect against injury or death in the event of an accident. Never operate the vehicle in excess of manufacturer's specifications.

### WEAR SEAT BELTS AT ALL TIMES

Read and follow, precisely, all installation instructions provided when installing product. Failure to do so may result in a poor fit and could place occupants of the vehicle in a potentially dangerous situation.

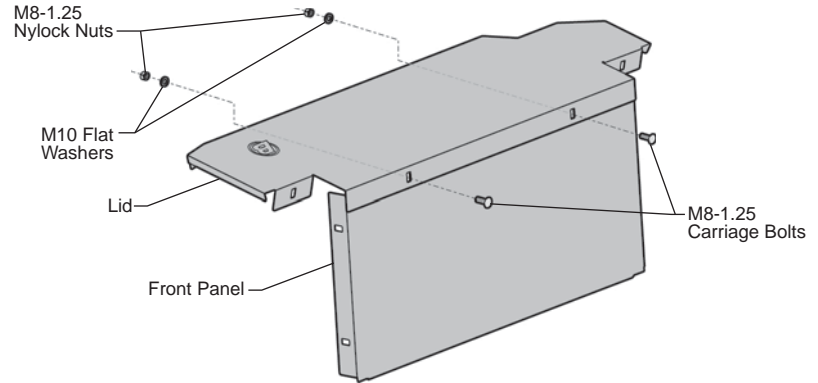
# KNOCK DOWN INSTATRUNK™ Installation Instructions

## Parts List



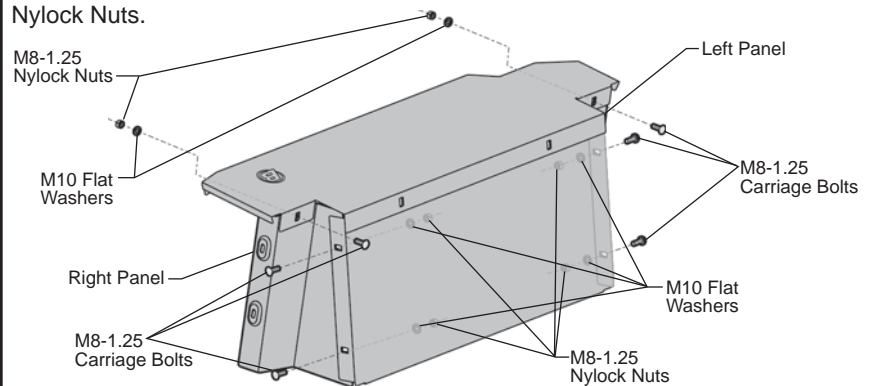
## 1 Secure Lid to Front Panel

Place the Lid (494.93) on the Front Panel (494.96) with the flange on the outside. Secure the Lid to the Panel with two (2) M8-1.25 Carriage Bolts, two (2) M10 Flat Washers, and two (2) M8-1.25 Nylock Nuts.



## 2 Secure Side Panels to Front Panel and Lid

Place the Left (494.95) and Right (494.94) Side Panels along the Front Panel with the Lid flanges outside of the Side Panels. Secure the Side Panels with six (6) M8-1.25 Carriage Bolts, six (6) M10 Flat Washers, and six (6) M8-1.25 Nylock Nuts.

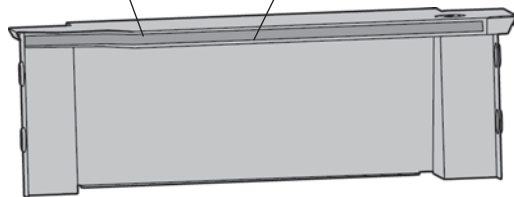


## Knock Down INSTATRUNK™ Installation Instructions

### 3 Install Weatherstrip

Locate the Weatherstrip (406.89) in the parts kit. From the rear of the Instatrunk Assembly start installing the Weatherstrip on the driver's side and work across to the passenger's side. Peel the backing off the Weatherstrip a few inches at a time and press the adhesive on the Weatherstrip onto the edge of the Instatrunk™.

Start on Driver's Side  
Install Weatherstrip on upper edge of Instatrunk™

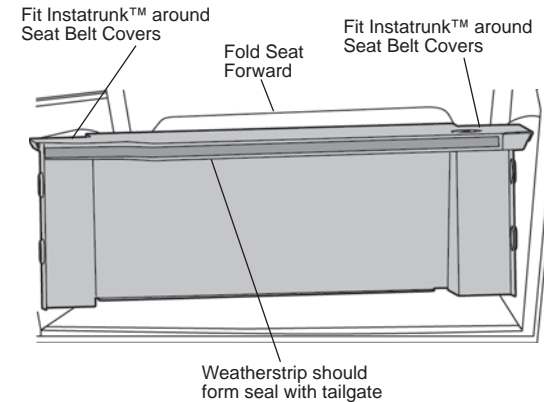


### 4 Install Instatrunk™

Open the tailgate of the vehicle and lean the rear seat back forward.

Place the Instatrunk™ Assembly in the vehicle so that it fits snugly between the wheel wells with the top level with the top of the wheel wells and with the notches around the plastic seat belt covers. Make sure that the contoured edge of the Instatrunk™ with the Weatherstrip is flush against the tailgate. Close the tailgate to check that the Weatherstrip forms a seal against the tailgate. Adjust the position of the Instatrunk™ as needed.

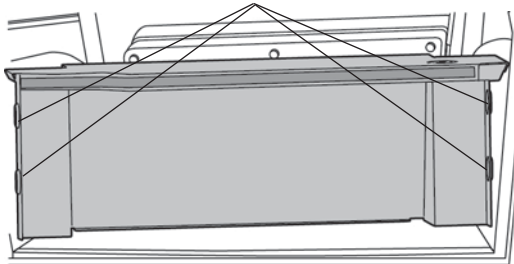
**Note:** In some cases there may be extra padding under the carpet, in this case it may be necessary to remove it for the Instatrunk™ to fit properly.



### 5 Drill Holes - Wrangler Unlimited Only

Make sure that Instatrunk™ Assembly is level. Use the mounting points in the Instatrunk™ as a template to drill four (4) 1/8" pilot holes. Remove the Instatrunk™ from the vehicle and drill four (4) 13/32" holes.

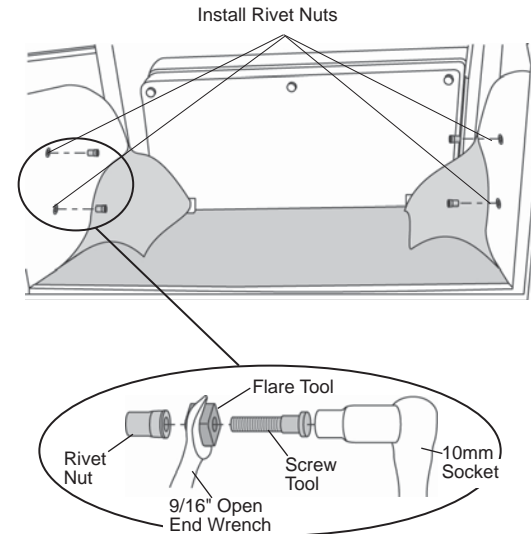
Drill 13/32" Holes at Mount Locations



### 6 Install Rivet Nuts

Carefully pull the carpet away from the rear wheel wells so that the hook and loop remains attached to the carpet for reinstallation later.

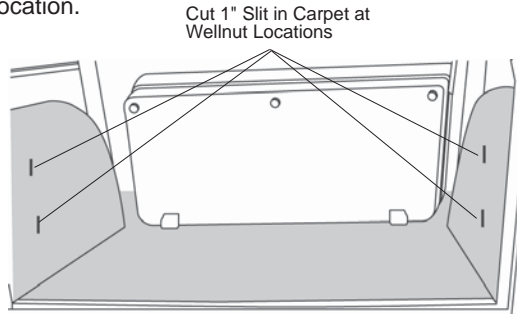
Locate the Rivet Nuts (406.72) in the parts kit. Use the Flare Tool (407.11), an M6 Flat Washer (497.95), and an M6 x 30mm Screw (497.62) with a 9/16" Open End Wrench and a 10mm Socket to install them into the holes. Make sure that the flange of the Rivet Nut is completely against the metal while installing.



## KNOCK DOWN INSTATRUNK™ Installation Instructions

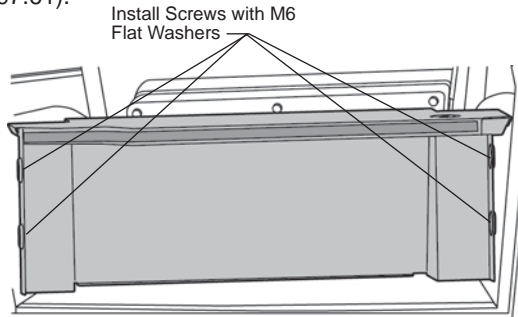
### 7 Replace Carpet

Replace the carpet, smoothing it out and covering the Rivet Nuts (406.72). Use a utility knife to cut a 1" vertical slit in the carpet at each Rivet Nut location.



### 8 Install Bolts

Place the Instatrunk™ Assembly back in the vehicle aligning the holes with the Rivet Nuts (406.72). Install an M6 Screw and M6 Flat Washer through the Instatrunk™ into each Rivet Nut. If you are installing the Instatrunk™ in the Wrangler Unlimited you will use the longer M6 x 50mm Bolts (497.63). For TJ vehicles, use the shorter M6 x 20mm Bolts (497.61).



### LIMITED WARRANTY

We warrant our product to be free from defects in material and workmanship, for the terms specified below, provided there has been normal use and proper maintenance. This warranty applies to the original purchaser only. All remedies under this warranty are limited to the repair or replacement of any item or items found by the factory to be defective within the time period specified. If you have a warranty claim, first you must call our factory at the number below for instructions. You must retain proof of purchase and submit a copy with any items returned for warranty work. Upon completion of warranty work, if any, we will return the repaired or replaced item or items to you freight prepaid. Damage to our products caused by accidents, fire, vandalism, negligence, misinstallation, misuse, Acts of God, or by defective parts not manufactured by us, is not covered under this warranty.

THE WARRANTY TIME PERIOD IS AS FOLLOWS FOR REPLACE-A-TOP™, SAILCLOTH REPLACE-A-TOP™, SUPERTOP®, SUPERTOP® REPLACEMENT SKINS, SUNRIDER®, AND TIGERTOP®: TWO YEARS FROM DATE OF PURCHASE.

THE WARRANTY TIME PERIOD IS AS FOLLOWS FOR ALL OTHER "SOFT GOODS" MANUFACTURED BY OUR COMPANY (USING PRIMARILY VINYL, PLASTICS, AND/OR FOAM): ONE YEAR FROM DATE OF PURCHASE.

THE WARRANTY TIME PERIOD IS AS FOLLOWS FOR ALL OTHER "HARD GOODS" MANUFACTURED BY OUR COMPANY (USING PRIMARILY METALS, PLASTICS, AND/OR FIBERGLASS): ONE YEAR FROM DATE OF PURCHASE.

ANY IMPLIED WARRANTIES OF MERCHANTABILITY AND/OR FITNESS FOR A PARTICULAR PURPOSE CREATED HEREBY ARE LIMITED IN DURATION TO THE SAME DURATION AND SCOPE AS THE EXPRESS WRITTEN WARRANTY. OUR COMPANY SHALL NOT BE LIABLE FOR ANY INCIDENTAL OR CONSEQUENTIAL DAMAGE.

Some states do not allow limitations on how long an implied warranty lasts, or the exclusion or limitation of incidental or consequential damages, so the above limitations or exclusions may not apply to you. This warranty gives you specific legal rights, and you may also have other rights which vary from state to state.



For further information or request for warranty work, please contact:

Bestop Inc. Customer Service

Toll-Free: (800)845-3567

Main: (303)465-1755

E-mail: [csbestop@Bestop.com](mailto:csbestop@Bestop.com)

Website: [www.Bestop.com](http://www.Bestop.com)