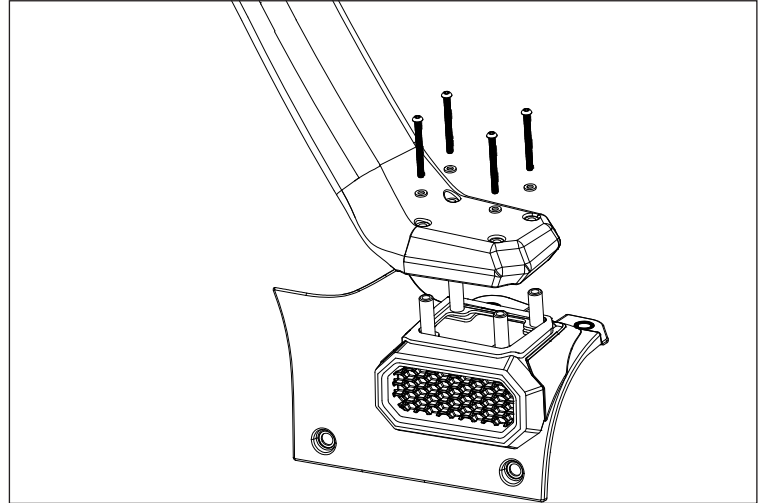


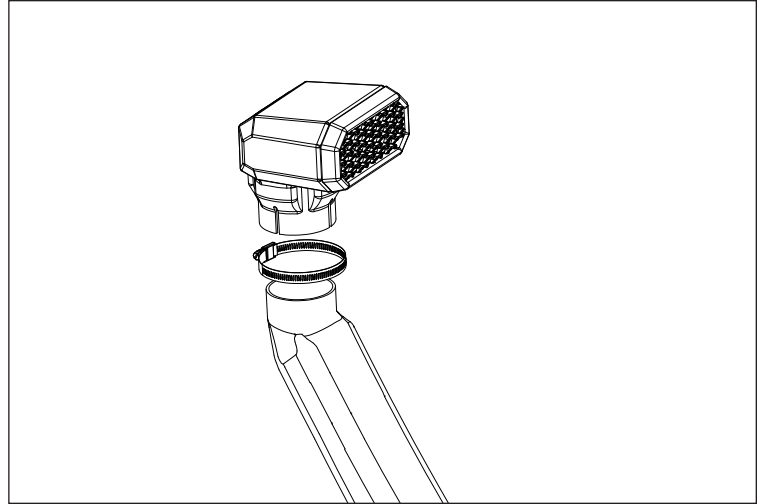
## AmFib Snorkel; JL Patent Pending

25. Align High Mount Tube to High Mount Cover and Snorkel Inlet. Using Long M6 Button Head Bolts and M6 Plastic Washers, attach High Mount Cover and High Mount Tube to Snorkel Inlet.

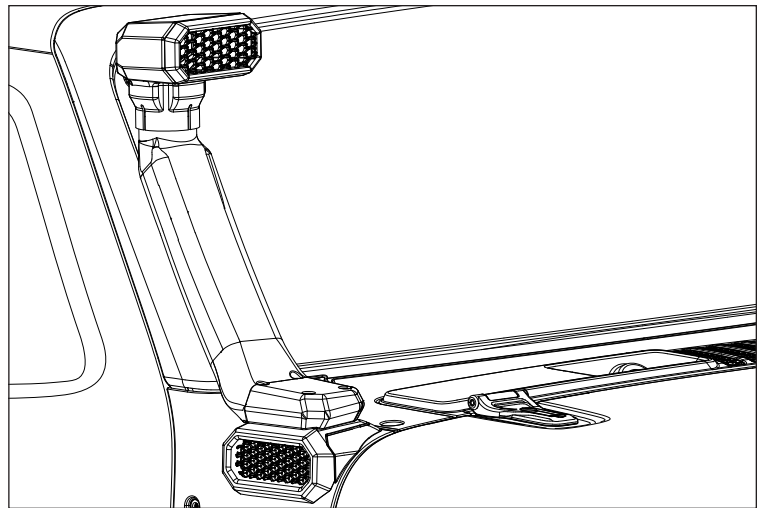


## AmFib Snorkel; JL Patent Pending

26. Using 3in Clamp, attach Ram Inlet or Pre-Filter to High Mount Tube.



27. Adjust Rubber Bumper so it gently rests against windshield.



### **WARNING**

The Rugged Ridge snorkel is designed to provide clean, dry air to the engine. There are many considerations to make when increasing a vehicle's fording depths. There are a variety of vehicle systems, beside the engine air intake, that are not intended to exceed the standard vehicle fording depth. It is the vehicle owner's responsibility to read and follow the owner's manual for appropriate water fording depths.