

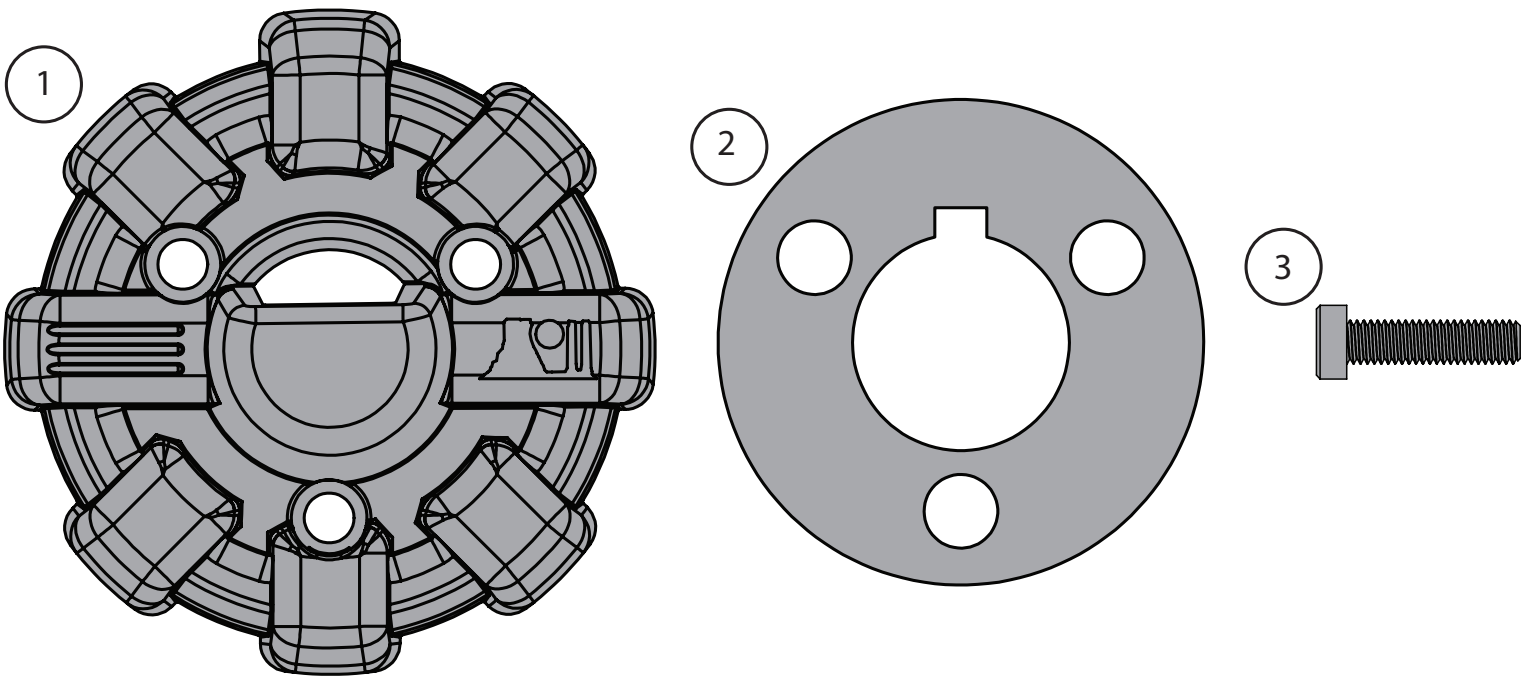


OMIX-ADA, Inc.

Part #17212.13  
17212.14  
17212.15

460 HORIZON DR. SUITE 100 | SUWANEE, GA 30024 | PHONE: 770-614-6101 | FAX: 770-614-6069 | info@omix-ada.com

# Elite Antenna Base



## Components

- 1. Antenna Base (1)
- 2. M5 Bolt (3)
- 3. Rubber Gasket (1)

### OMIX-ADA® TECHNICAL SUPPORT

PHONE: M-F 8am - 5pm EST 1-800-449-6649 | EMAIL: techsupport@omix-ada.com

FOR WARRANTY INFORMATION VISIT: [www.Omix-Ada.com](http://www.Omix-Ada.com)

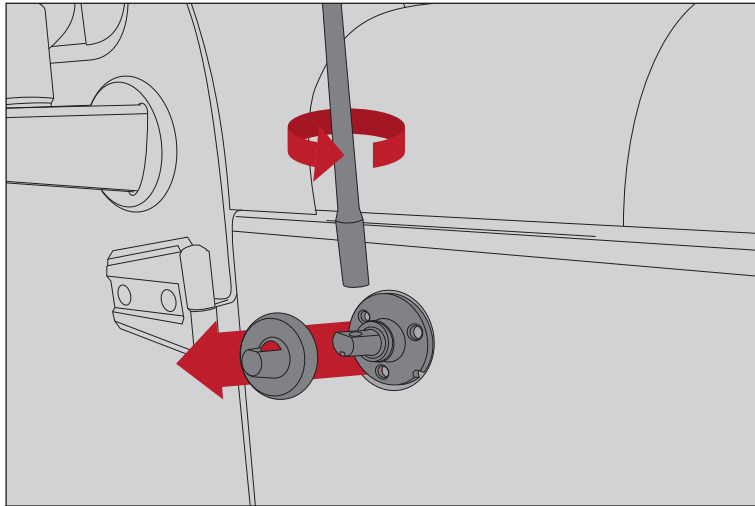


OMIX-ADA, Inc.

460 HORIZON DR. SUITE 100 | SUWANEE, GA 30024 | PHONE: 770-614-6101 | FAX: 770-614-6069 | info@omix-ada.com

## Elite Antenna Base

1. Unscrew antenna from base. Using a flat head screwdriver, remove factory antenna base cover.
2. Remove three factory screws from antenna base.



3. Insert three screws into Elite Antenna Base. Press screws through rubber gasket to hold in place.
4. Secure bolts onto vehicle, ensuring opening for antenna is facing upwards.
5. Re-attach antenna.

