



OMIX-ADA, Inc.

15250.04 - Satin Black

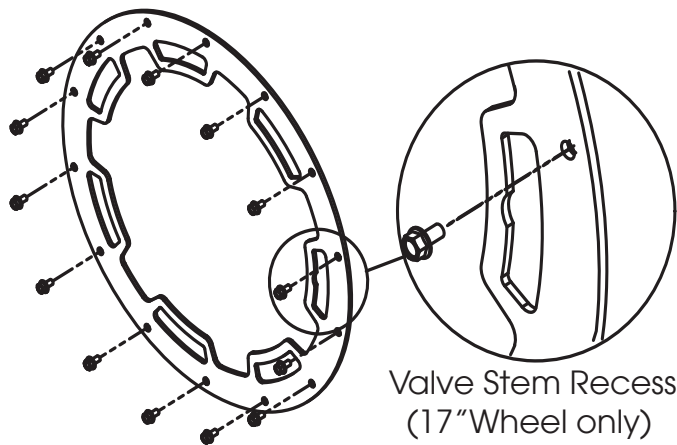
460 HORIZON DR. SUITE 400 | SUWANEE, GA 30024 | PHONE: 770-614-6101 | FAX: 770-614-6069 | info@omix-ada.com

# Jeep® JK Wrangler RIM PROTECTOR RING

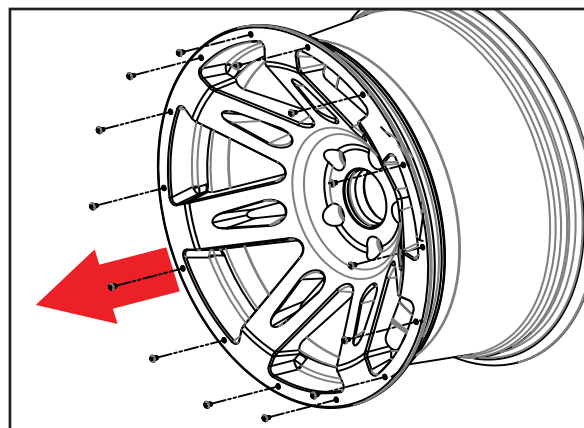
## Contents :

- 1. Rim Protector Ring (1)
- 2. M6 Flanged Hex Head Screws (14)

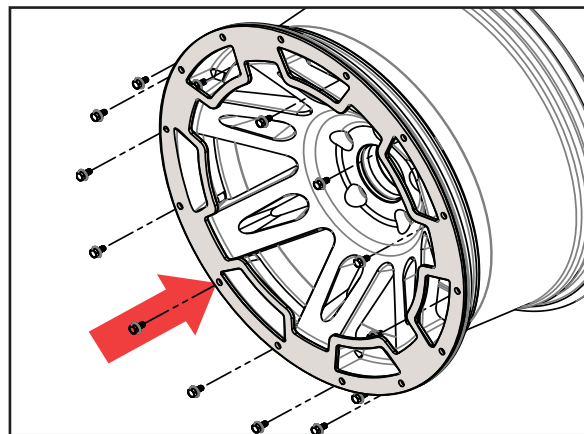
Note: 15250.04 only to be use with Rugged Ridge 20" Wheels, P/N's 15306.01, 15306.02, 15306.03



## 1. Remove Button Head Screws from Wheel.



2. Place Rim Protector Ring onto front face of wheel.  
 (For 17" Wheel, ensure that Valve stem Recess aligns with Valve Stem)  
 Install M6 Flanged Hex Head Screws by hand.  
 Once all M6 Screws are in place, tighten to 6 ft-lbs.  
 Retorque after 25 miles and check frequently thereafter.



### OMIX-ADA® TECHNICAL SUPPORT

PHONE: M-F 8am - 5pm EST 1-800-449-6649 | EMAIL: techsupport@omix-ada.com

FOR WARRANTY INFORMATION VISIT: [www.Omix-Ada.com](http://www.Omix-Ada.com)

Copyright © 2013 Omix-Ada®, Inc.