

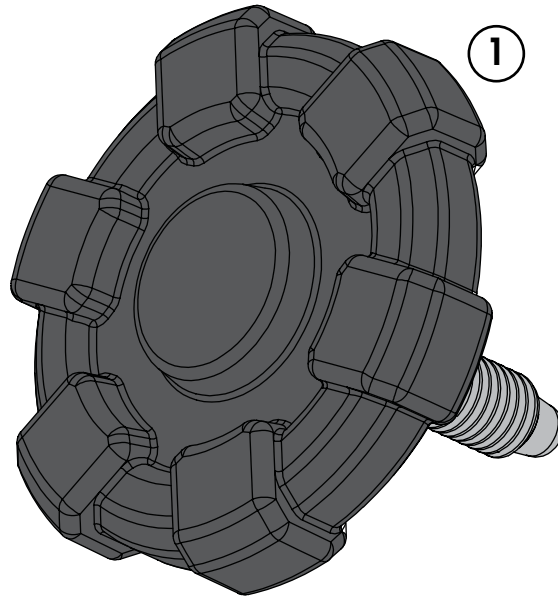


OMIX-ADA, Inc.

Part # 13510.15

460 HORIZON DR. SUITE 400 | SUWANEE, GA 30024 | PHONE: 770-614-6101 | FAX: 770-614-6069 | info@omix-ada.com

# Elite Hardtop Quick Release Kit PATENT PENDING



1. Elite Hardtop Knob

(6)

**OMIX-ADA® TECHNICAL SUPPORT**

**PHONE:** M-F 8am - 5pm EST 1-800-449-6649 | **EMAIL:** techsupport@omix-ada.com

**FOR WARRANTY INFORMATION VISIT:** [www.Omix-Ada.com](http://www.Omix-Ada.com)



OMIX-ADA, Inc.

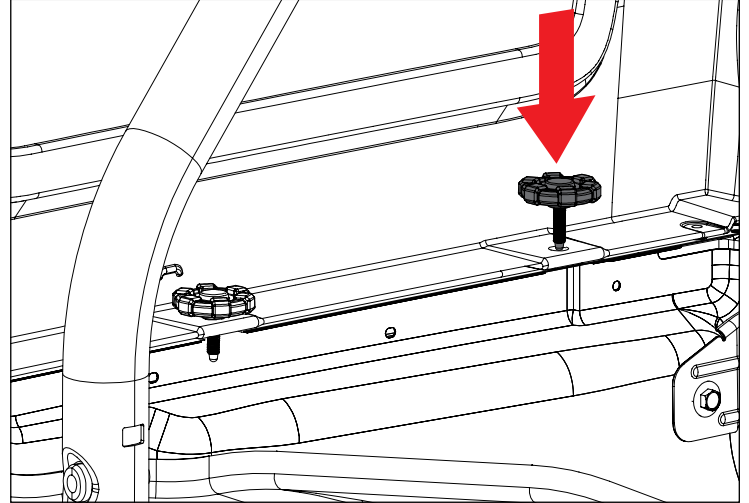
460 HORIZON DR. SUITE 400 | SUWANEE, GA 30024 | PHONE: 770-614-6101 | FAX: 770-614-6069 | info@omix-ada.com

## Elite Hardtop Quick Release Kit PATENT PENDING

1. Using T-40 Torx driver, remove six hardtop screws along tub rail and install Elite Hardtop Knobs.

**NOTICE**

If installing 13510.15 - Elite Hardtop Quick Release Kit; 2 Door, installation is complete.



2. Remove freedom panels and remove two remaining hardtop screws using T-40 Torx driver.

