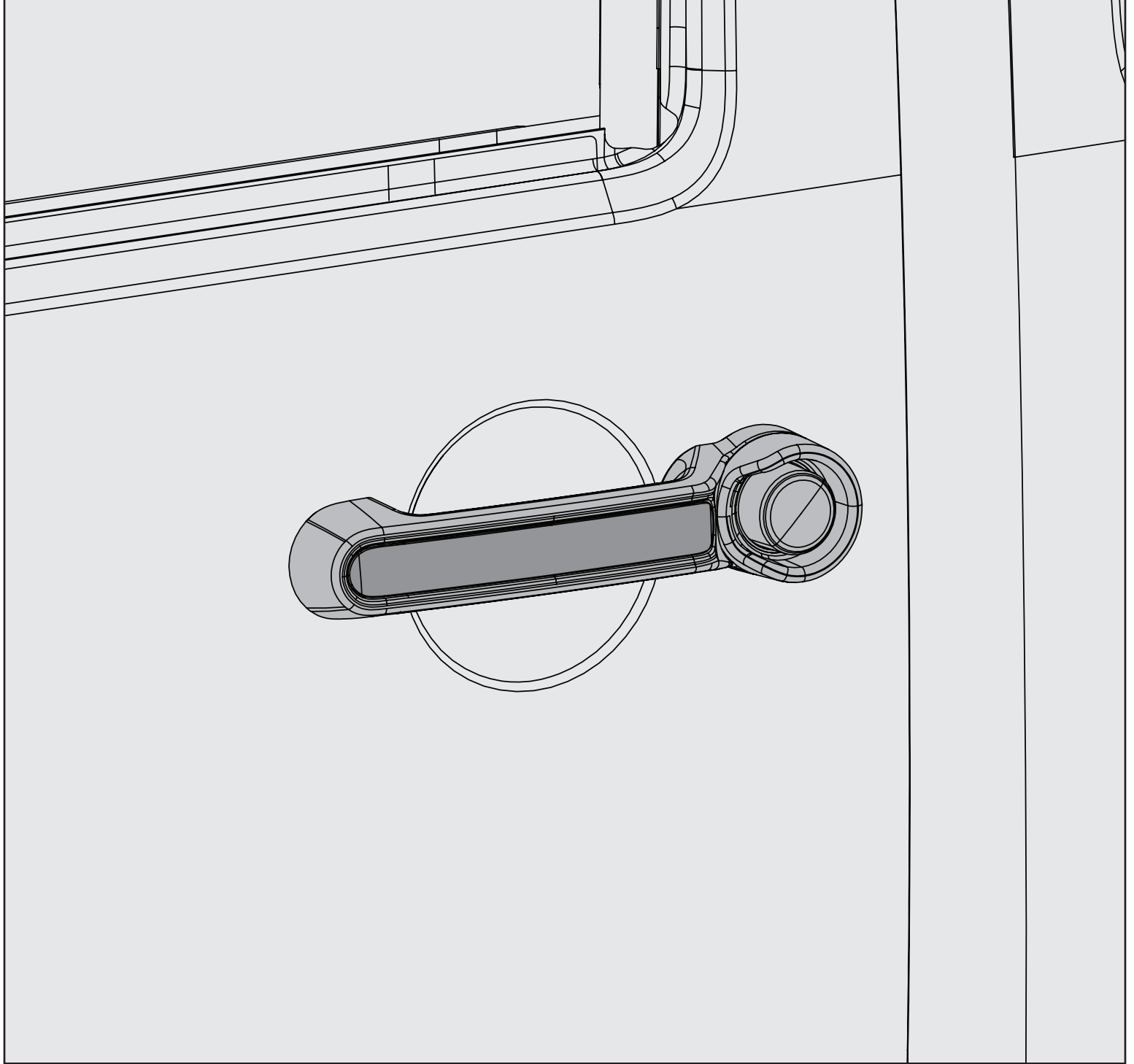




OMIX-ADA, Inc.

460 HORIZON DR. SUITE 100 | SUWANEE, GA 30024 | PHONE: 770-614-6101 | FAX: 770-614-6069 | info@omix-ada.com

## Rugged Ridge Elite Door Handle Inserts



**OMIX-ADA® TECHNICAL SUPPORT**

**PHONE:** M-F 8am - 5pm EST 1-800-449-6649 | **EMAIL:** techsupport@omix-ada.com

**FOR WARRANTY INFORMATION VISIT:** [www.Omix-Ada.com](http://www.Omix-Ada.com)

**Rugged  
Ridge**

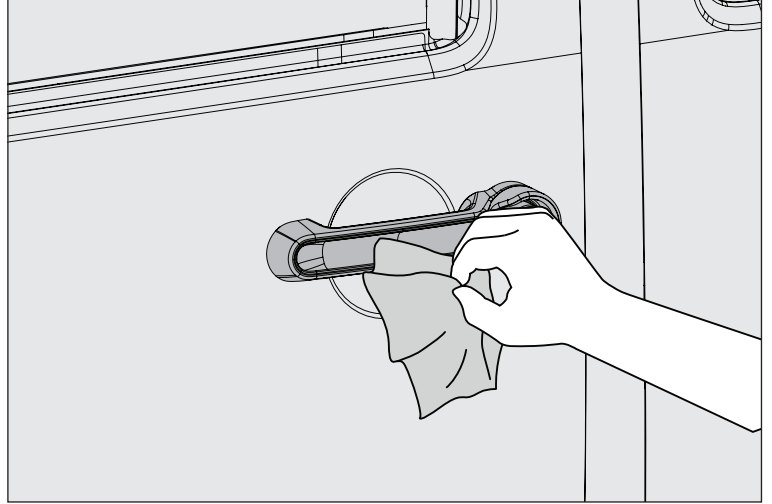
OMIX-ADA, Inc.



460 HORIZON DR. SUITE 100 | SUWANEE, GA 30024 | PHONE: 770-614-6101 | FAX: 770-614-6069 | info@omix-ada.com

## Rugged Ridge Elite Door Handle Inserts

1. Clean door handle surface with isopropyl alcohol.
2. Apply adhesive promoter to door handle surface.



3. Peel tape backing off back of Door Handle Insert.
4. Place Door Handle Insert in recess of door handle. Press firmly and hold for 30 seconds to apply.

