

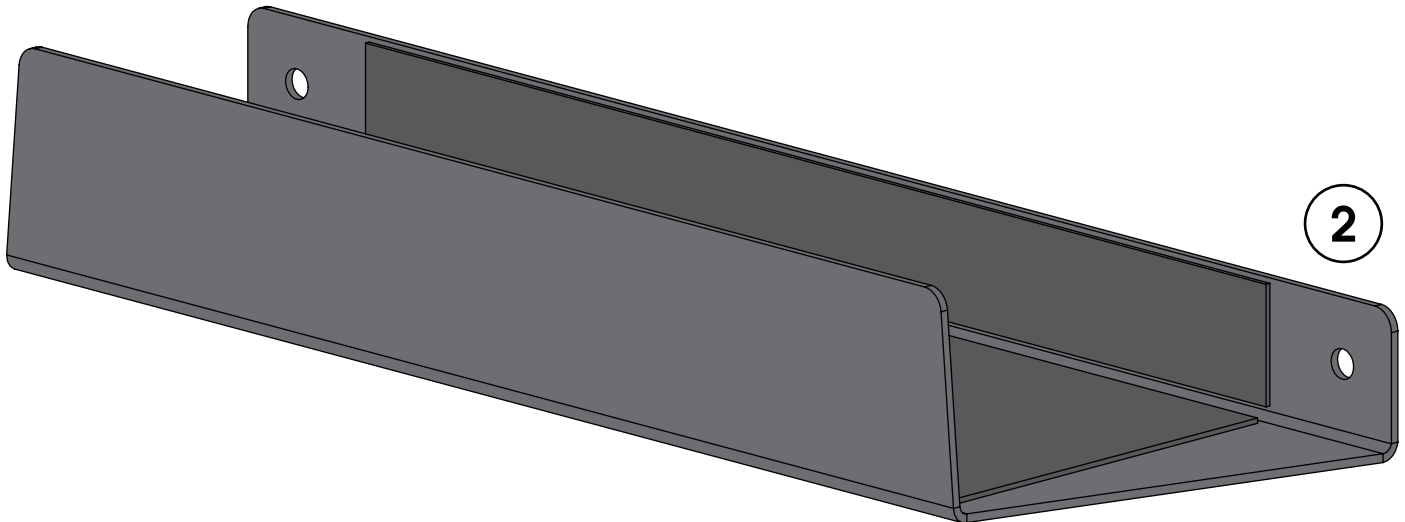
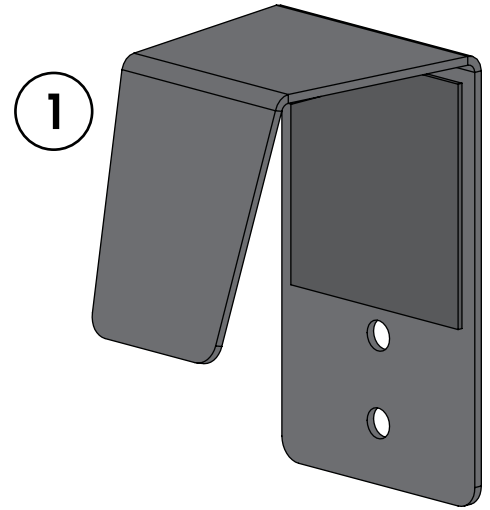


OMIX-ADA, Inc.

460 HORIZON DR. SUITE 400 | SUWANEE, GA 30024 | PHONE: 770-614-6101 | FAX: 770-614-6069 | info@omix-ada.com

Part # 12107.14

# Wall Mount Freedom Panel Holder



**CAUTION**

This product is designed to be mounted to a wall that has studs spaced 16" on center. Due to differences in building materials, mounting hardware is not supplied. **Failure to secure product to studs can result in damage to product, property, or serious injury.**

## Components

1. Retainer Bracket

(2) 2. Lower Bracket

(2)

**OMIX-ADA® TECHNICAL SUPPORT**

**PHONE:** M-F 8am - 5pm EST 1-800-449-6649 | **EMAIL:** techsupport@omix-ada.com

**FOR WARRANTY INFORMATION VISIT:** [www.Omix-Ada.com](http://www.Omix-Ada.com)



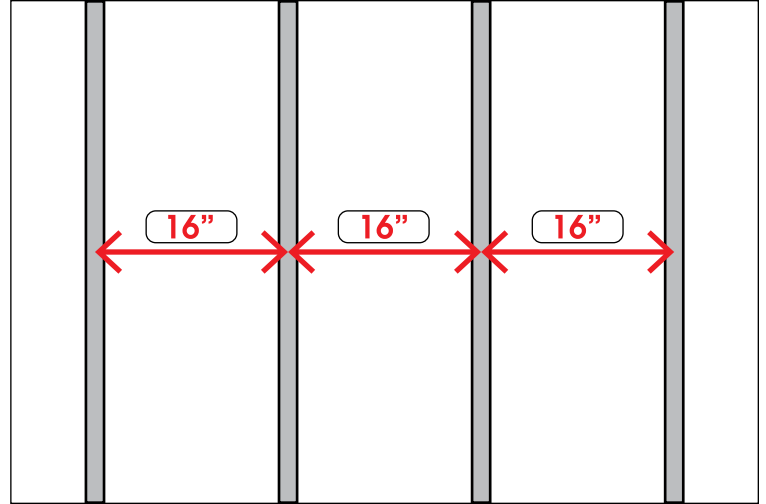
OMIX-ADA, Inc.



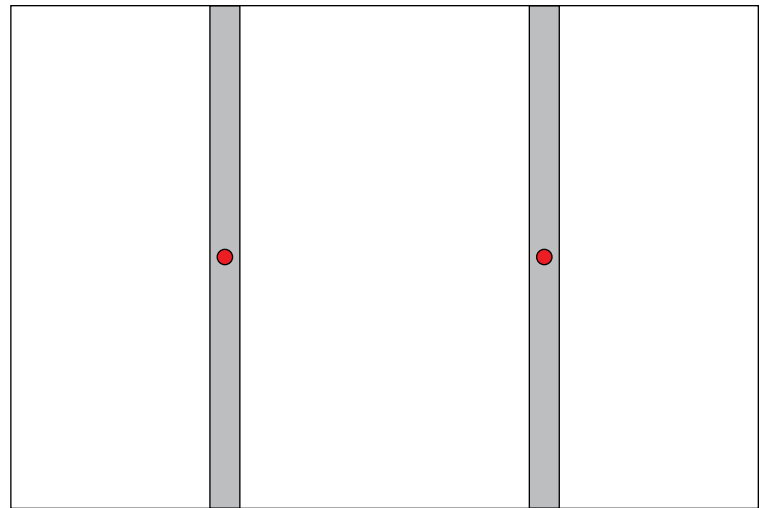
460 HORIZON DR. SUITE 400 | SUWANEE, GA 30024 | PHONE: 770-614-6101 | FAX: 770-614-6069 | info@omix-ada.com

## Wall Mount Freedom Panel Holder

1. Using a stud finder, locate four studs in a row. For proper mounting, studs should be 16" on center.

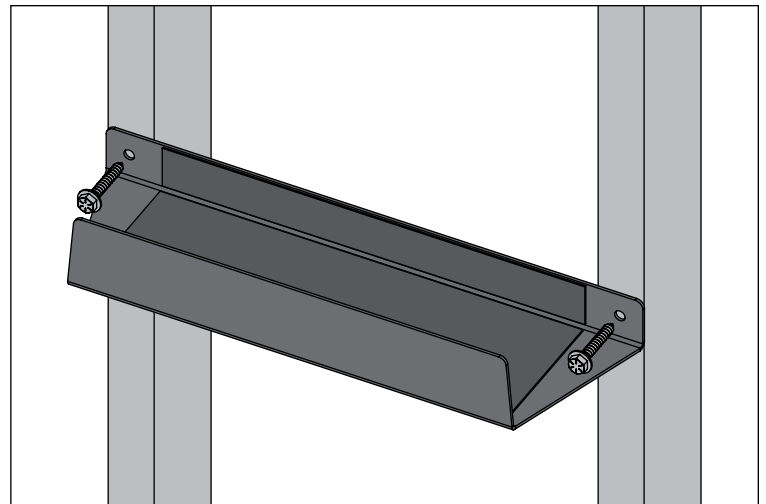


2. Determine appropriate mounting position. Using Lower Bracket for reference, mark and drill one 1/4" pilot hole in the center of each stud. Pilot hole must go 2" into stud.



3. Determine proper length of 5/16" lag bolts for your application. Bolts must go 2" into stud.

4. Using 5/16" lag bolt and 5/16" flat washer, attach Lower Brackets to wall.





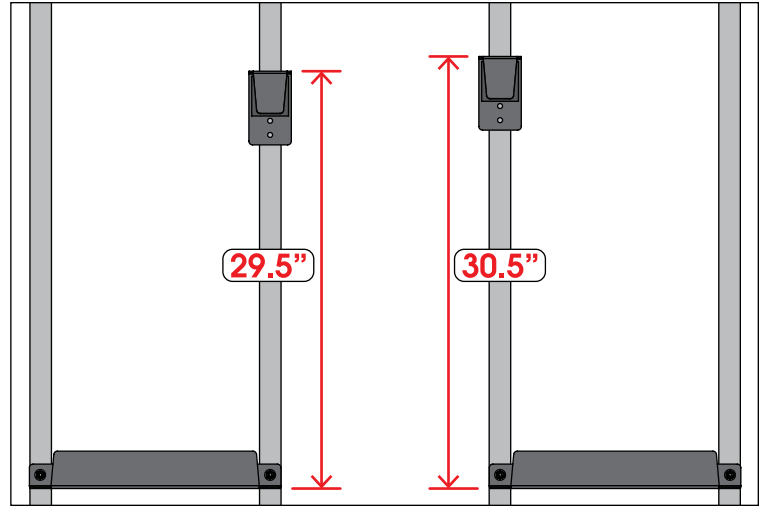
OMIX-ADA, Inc.

460 HORIZON DR. SUITE 400 | SUWANEE, GA 30024 | PHONE: 770-614-6101 | FAX: 770-614-6069 | info@omix-ada.com

## Wall Mount Freedom Panel Holder

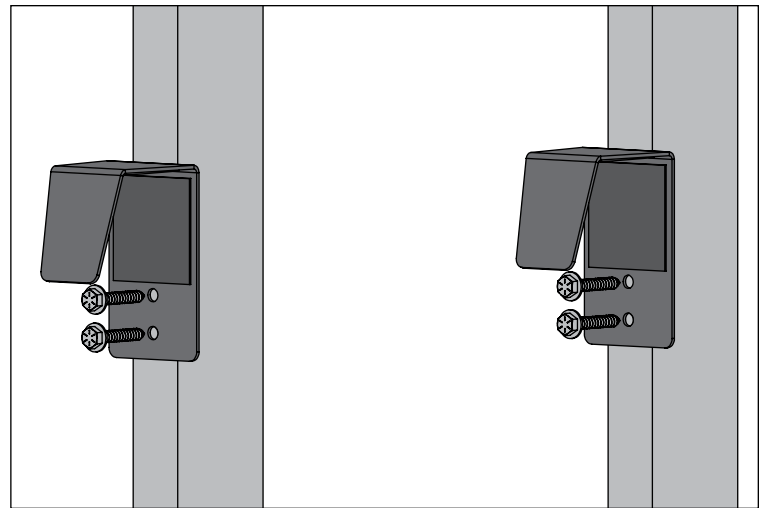
5. Mark a line 29.5" above bottom surface of Lower Bracket on second stud from left. Align top of Retainer Bracket with line and mark mounting holes.

6. Mark a line 30.5" above bottom surface of Lower Bracket on third stud from left. Align top of Retainer Bracket with line and mark mounting holes.



7. Drill 1/4" pilot holes where marked. Pilot hole must go 2" into stud.

8. Using 5/16" lag bolts and 5/16" flat washers, attach Retainer Brackets to wall.



9. Slide freedom panels in holder as shown.

