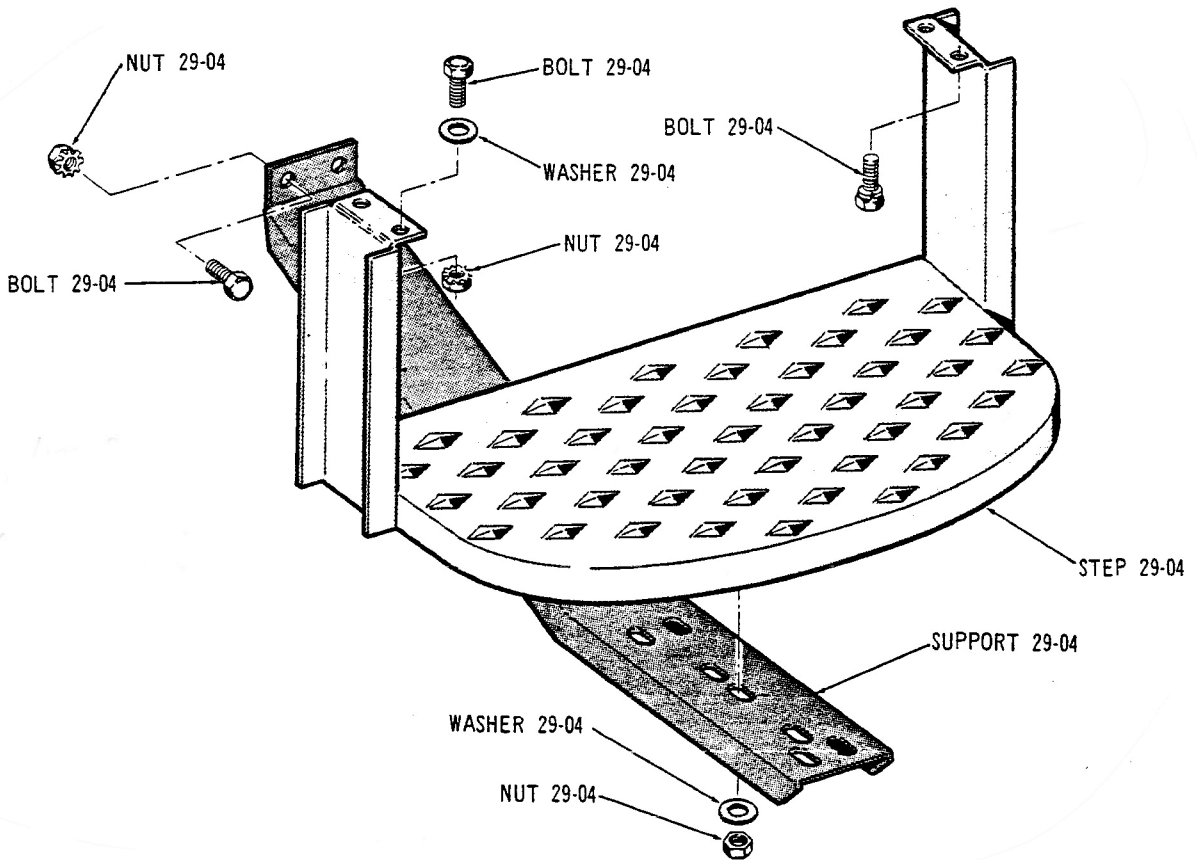


646150K - Diagram & Installation



BODY STEP