



OMIX-ADA, Inc.

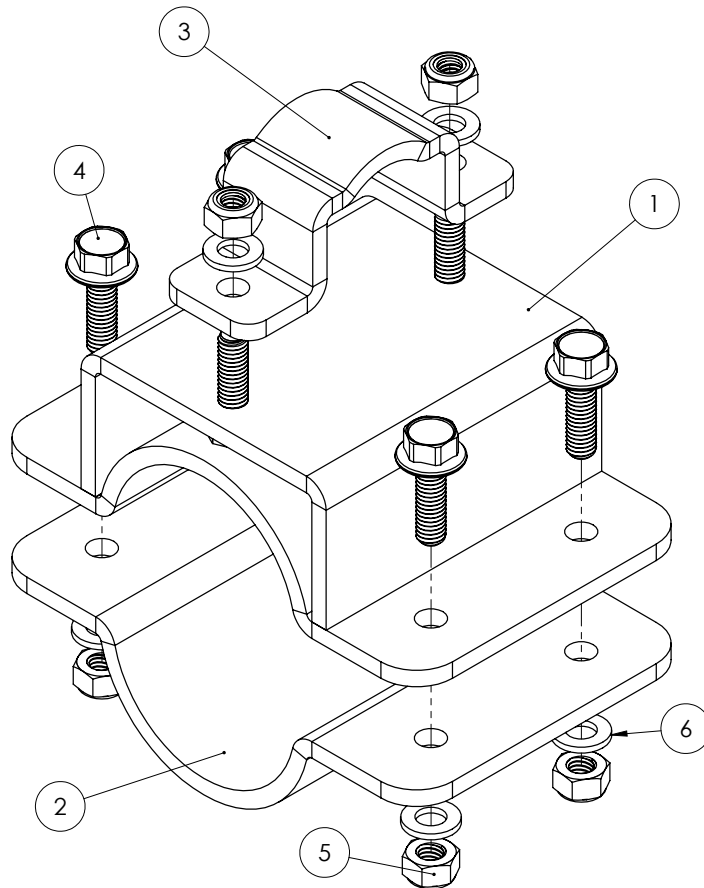
460 HORIZON DR. SUITE 400 | SUWANEE, GA 30024 | PHONE: 770-614-6101 | FAX: 770-614-6069 | info@omix-ada.com

11703.10

# Crossbar Adapters

## Contents:

1. Upper Clamp Bracket	(4)	4. M6x20 Flange Bolts	(16)
2. Lower Clamp Bracket	(4)	5. M6 Nylon Lock Nuts	(24)
3. Crossbar Bracket	(4)	6. M6 Flat Washer	(24)



### NOTICE

Crossbar adapters are designed to work Thule® and Yakima® accessories and mount to Rugged Ridge® 11703.01, 11703.02 or other 2" or 50mm tubing.

**Read all instructions thoroughly before installation.**

#### OMIX-ADA® TECHNICAL SUPPORT

PHONE: M-F 8am - 5pm EST 1-800-449-6649 | EMAIL: techsupport@omix-ada.com

FOR WARRANTY INFORMATION VISIT: [www.Omix-Ada.com](http://www.Omix-Ada.com)



OMIX-ADA, Inc.



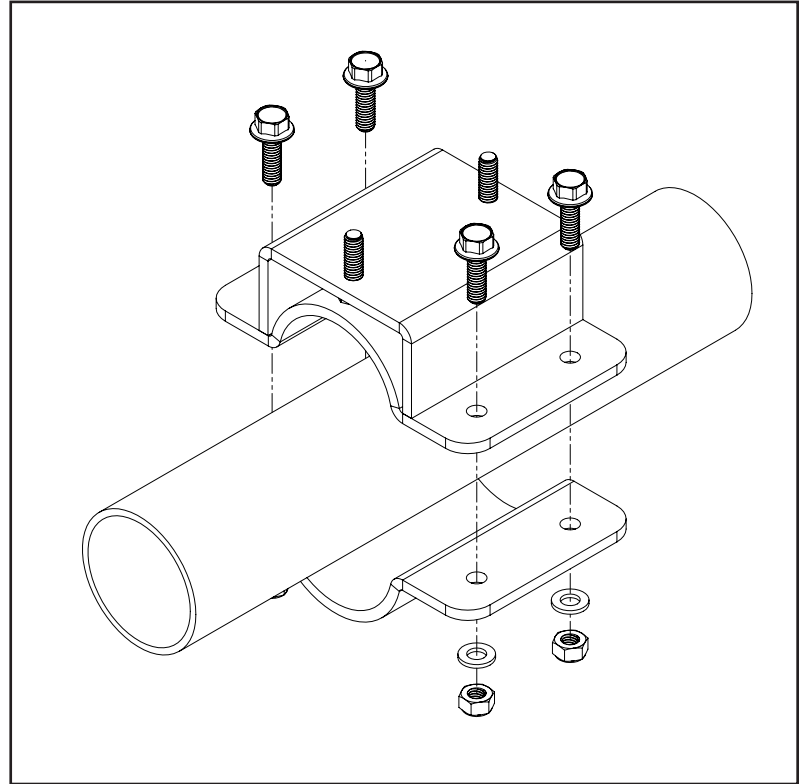
11703.10

460 HORIZON DR. SUITE 400 | SUWANEE, GA 30024 | PHONE: 770-614-6101 | FAX: 770-614-6069 | info@omix-ada.com

## Crossbar Adapters

1. Use the supplied M6 hardware to attach the upper and lower clamp brackets to the tube.

*Note: It is recommended to leave fasteners loose until desired position is chosen based on aftermarket accessories to be installed.*



2. Using the supplied M6 hardware, attach the crossbar bracket over the chosen aftermarket crossbar. Tighten until crossbars are secure.

*Note: It is recommended to leave fasteners loose until desired position is chosen based on aftermarket accessories to be installed.*

