

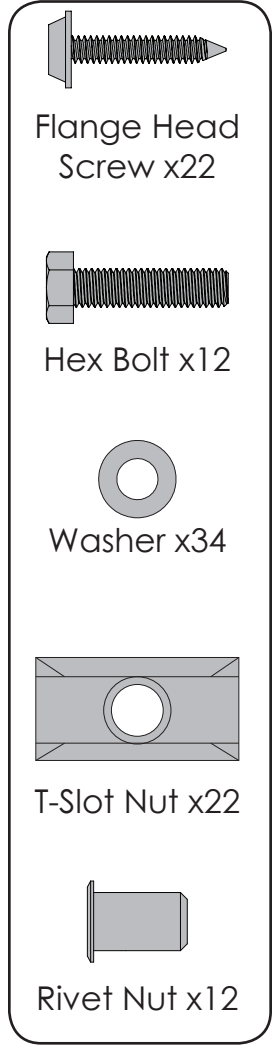
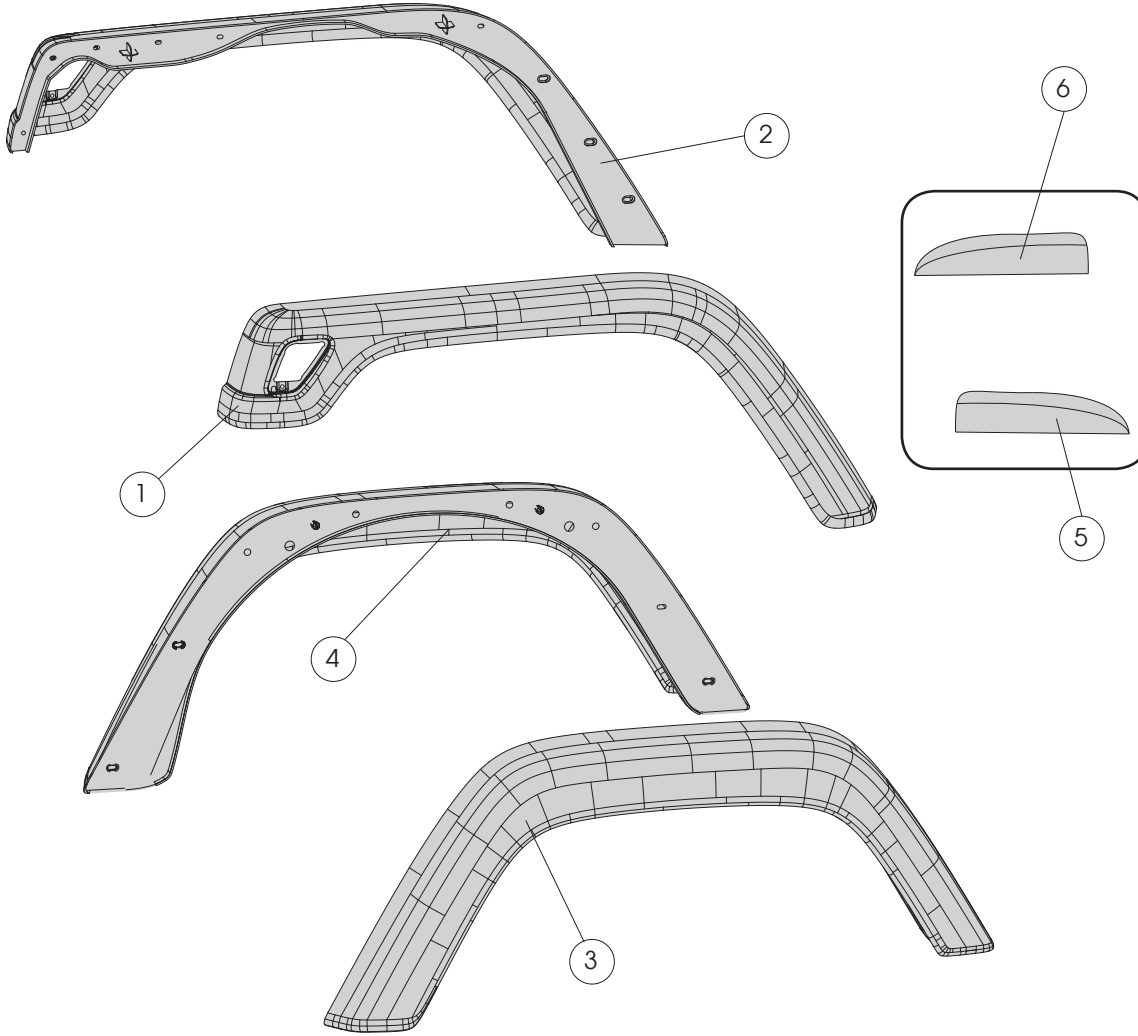


OMIX-ADA, Inc.

460 HORIZON DR. SUITE 100 | SUWANEE, GA 30024 | PHONE: 770-614-6101 | FAX: 770-614-6069 | info@omix-ada.com

Part #11603.01  
11603.02  
11603.11  
11603.12

# TJ Replacement Fender Flares



\*Included only with Part #11603.01 and 11603.12

## Components

- 1. Front Flare, LH (1)
- 2. Front Flare, RH (1)
- 3. Rear Flare, LH (1)
- 4. Rear Flare, RH (1)

### Included only with Part #11603.01 and 11603.11:

- 5. Flare Extension, LH (1)
- 6. Flare Extension, RH (1)

### OMIX-ADA® TECHNICAL SUPPORT

PHONE: M-F 8am - 5pm EST 1-800-449-6649 | EMAIL: techsupport@omix-ada.com

FOR WARRANTY INFORMATION VISIT: [www.Omix-Ada.com](http://www.Omix-Ada.com)

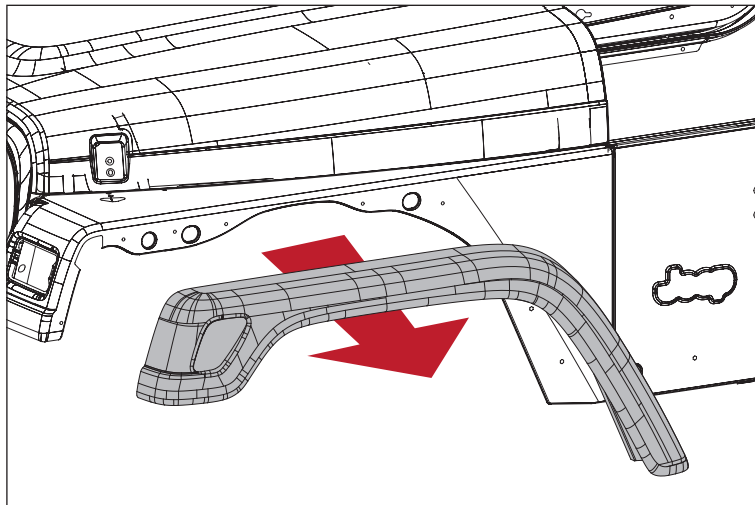


OMIX-ADA, Inc.

460 HORIZON DR. SUITE 100 | SUWANEE, GA 30024 | PHONE: 770-614-6101 | FAX: 770-614-6069 | info@omix-ada.com

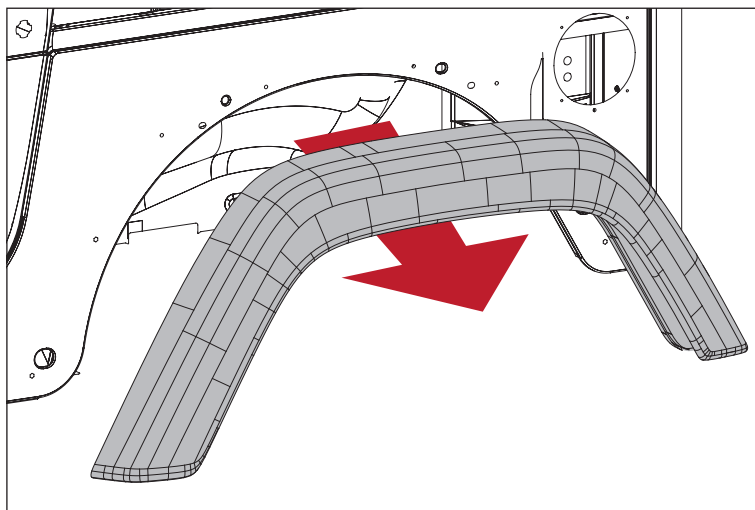
## TJ Replacement Fender Flares

1. Disconnect side marker lights, twisting bulb counter-clockwise.
2. Detach all hardware and remove front flares.

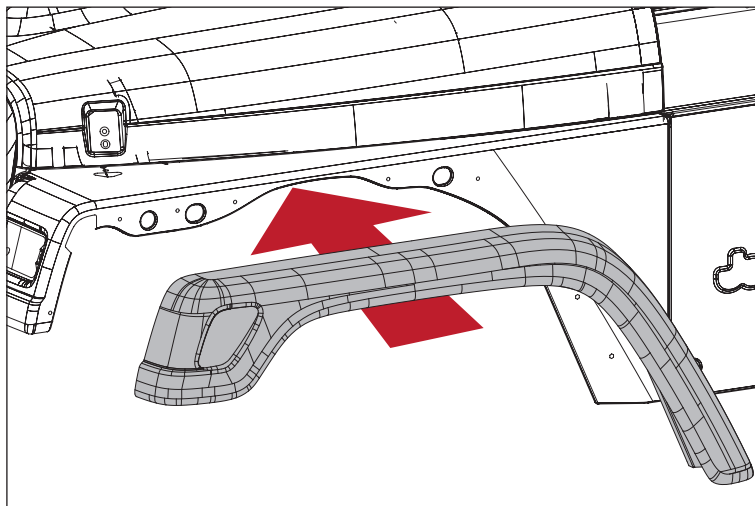


3. Detach all hardware and remove rear flares.

**NOTICE** Removing or pulling back rear fender liner is recommended for this step. Shield retainers may need to be removed.



4. Ensure body panels are clean before installation.
5. Install front flares by first lining up placement pins with body panel holes.
6. Attach using Flange-Head Screw and T-slot Nut for front holes and Hex Bolt, Washer, and Rivet Nut (if needed) in rear holes.
7. Fully tighten all bolts.





OMIX-ADA, Inc.

460 HORIZON DR. SUITE 100 | SUWANEE, GA 30024 | PHONE: 770-614-6101 | FAX: 770-614-6069 | info@omix-ada.com

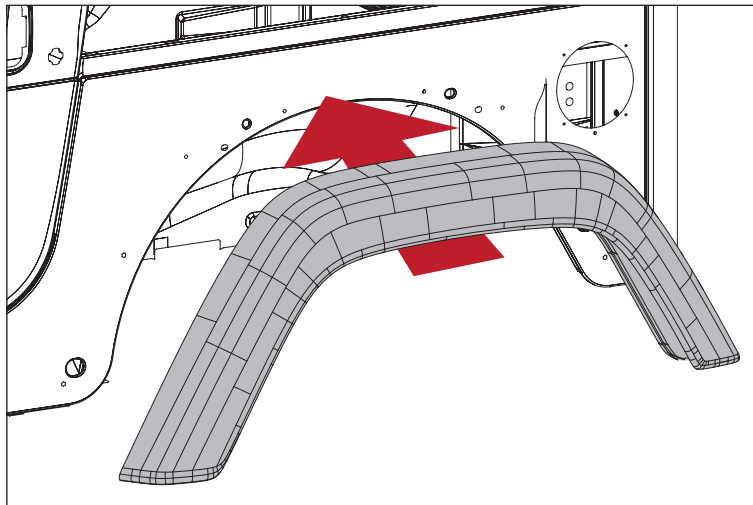
## TJ Replacement Fender Flares

8. Install Rear Flares using Flange-Head Screw and T-slot Nut for front holes and Hex Bolt, Washer, and Rivet Nut (if needed) in rear holes.

9. Tighten all bolts and replace rear fender liner.

**NOTICE** If any shield retainers were removed during installation, replace them now.

10. Reinstall side marker light by twisting clockwise into casing.



### For Part #11603.01 and 11603.11:

11. Remove three Hex Head Washer Bolts from OE Flare Extension.

12. Align Flare Extension with side body panel and loosely attach with bolts.

13. Adjust front to back location of Flare Extension to reduce gap between Replacement Flare and Extension. Tighten all bolts.

