



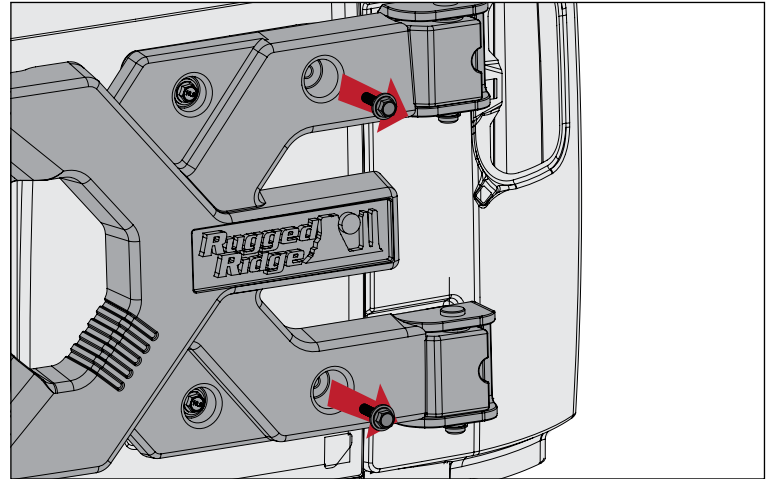
OMIX-ADA, Inc.

Part #11586.03
11586.08

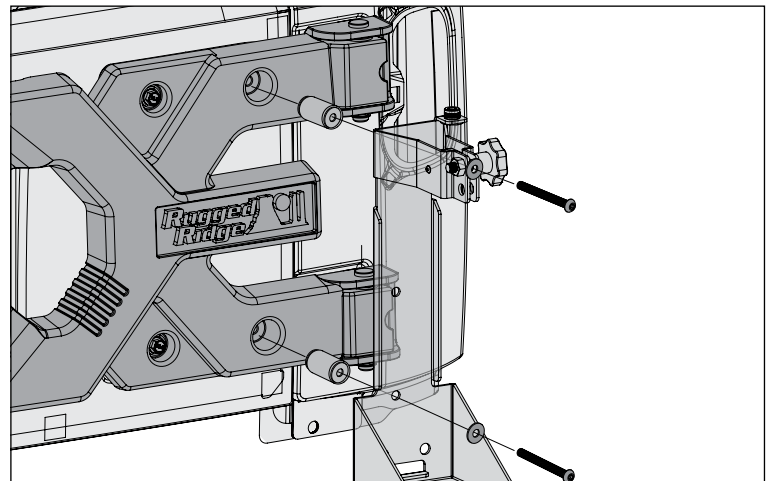
460 HORIZON DR. SUITE 100 | SUWANEE, GA 30024 | PHONE: 770-614-6101 | FAX: 770-614-6069 | info@omix-ada.com

JK Off-Road Jack Mount Bracket (with Spartacus Tire Carrier)

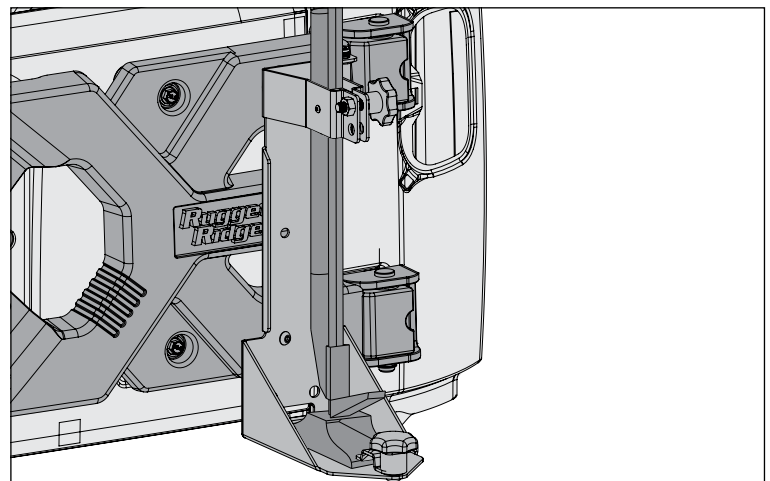
1. Remove two bolts closest to Spartacus Tire Carrier Hinge.



2. Align top top mounting points on Jack Mount Bracket with mounting holes in Tire Carrier. Secure with provided M10 hardware and spacers.



3. To install Off Road Jack, use bottom knob to clamp base of jack into position ensuring rear of base is under tab in mounting bracket. Close top swing arm making sure rubber pads grip jack's vertical beam.



OMIX-ADA® TECHNICAL SUPPORT

PHONE: M-F 8am - 5pm EST 1-800-449-6649 | EMAIL: techsupport@omix-ada.com

FOR WARRANTY INFORMATION VISIT: www.Omix-Ada.com