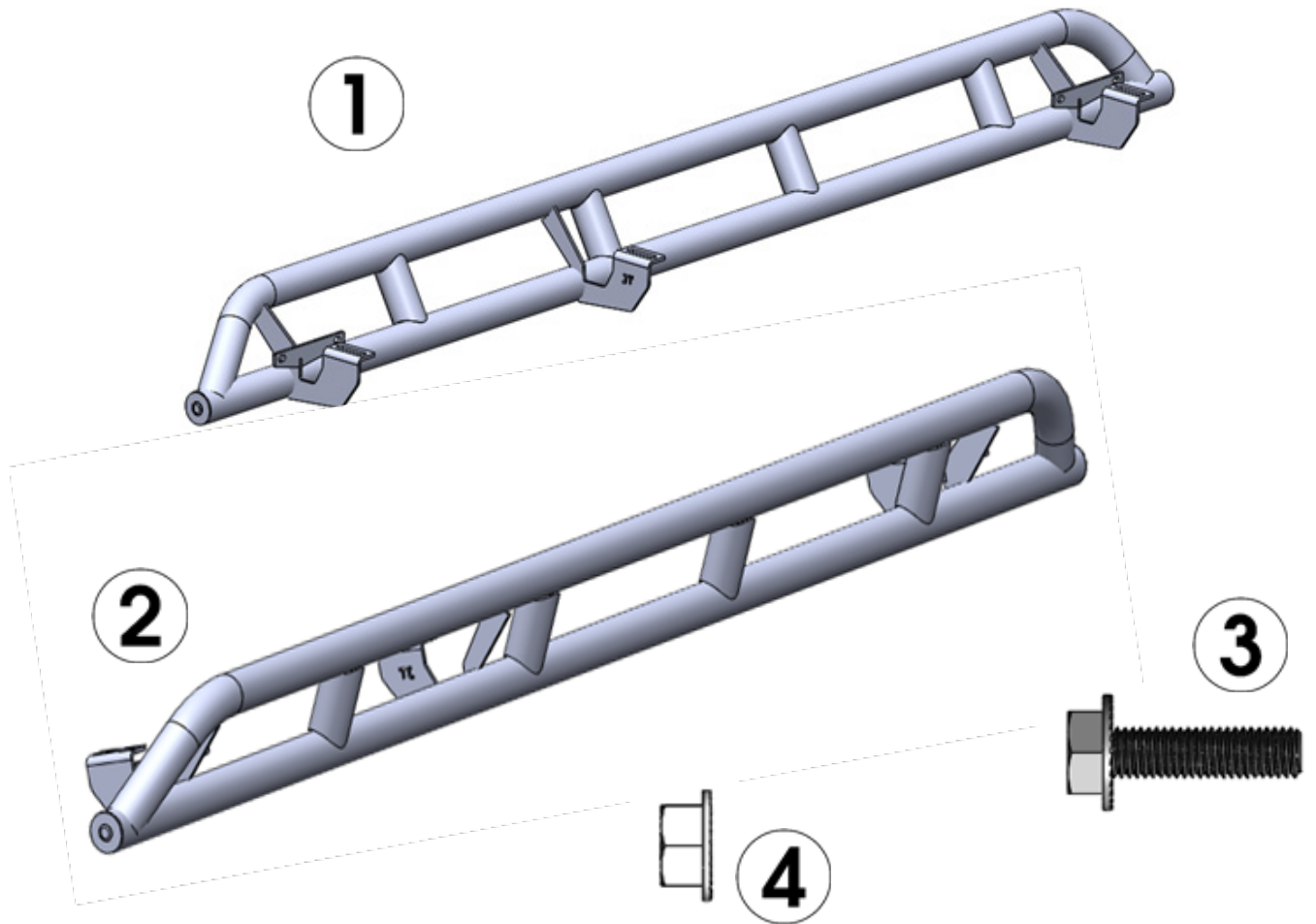


## JT ROCKER GUARDS



### Components

1. RH Rocker Guard  
3. M8 Hex Bolt

(1) 2. LH Rocker Guard  
(14) 4. M8 Nut

(1)  
(8)

**OMIX-ADA® TECHNICAL SUPPORT**

PHONE: M-F 8am - 5pm EST 1-800-449-6649

FOR WARRANTY OR TECH CONCERNS EMAIL: [webmaster@omixsupport.com](mailto:webmaster@omixsupport.com)

**ATTN: STATE OF CALIFORNIA CONSUMERS**

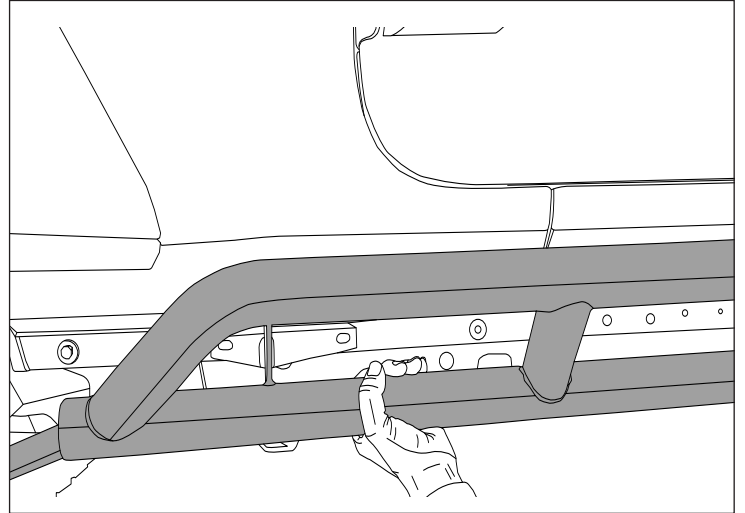
**⚠ WARNING: Cancer and Reproductive Harm - [www.P65Warnings.ca.gov](http://www.P65Warnings.ca.gov).**



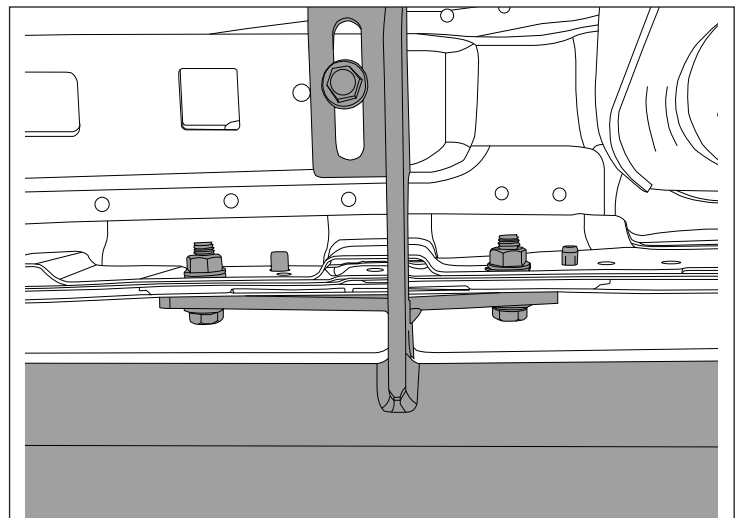
460 HORIZON DR. | SUWANEE, GA 30024 | PHONE: 770-614-6101 | FAX: 844-270-0593 | www.Omix-ADA.com

## JT ROCKER GUARDS

1. Remove the factory running boards, side steps or rock rails if equipped.  
With angled end facing front of vehicle, raise rocker guard into position and align brackets with the factory mounting points.



2. Attach the horizontal brackets to the body using supplied M8 bolts. Then attach the Rocker Guard to the front of the pinch weld using included M8 bolts and nuts. Leave hardware loose for final adjustment.



3. Repeat steps 1 and 2 for passenger side and tighten all hardware.

