



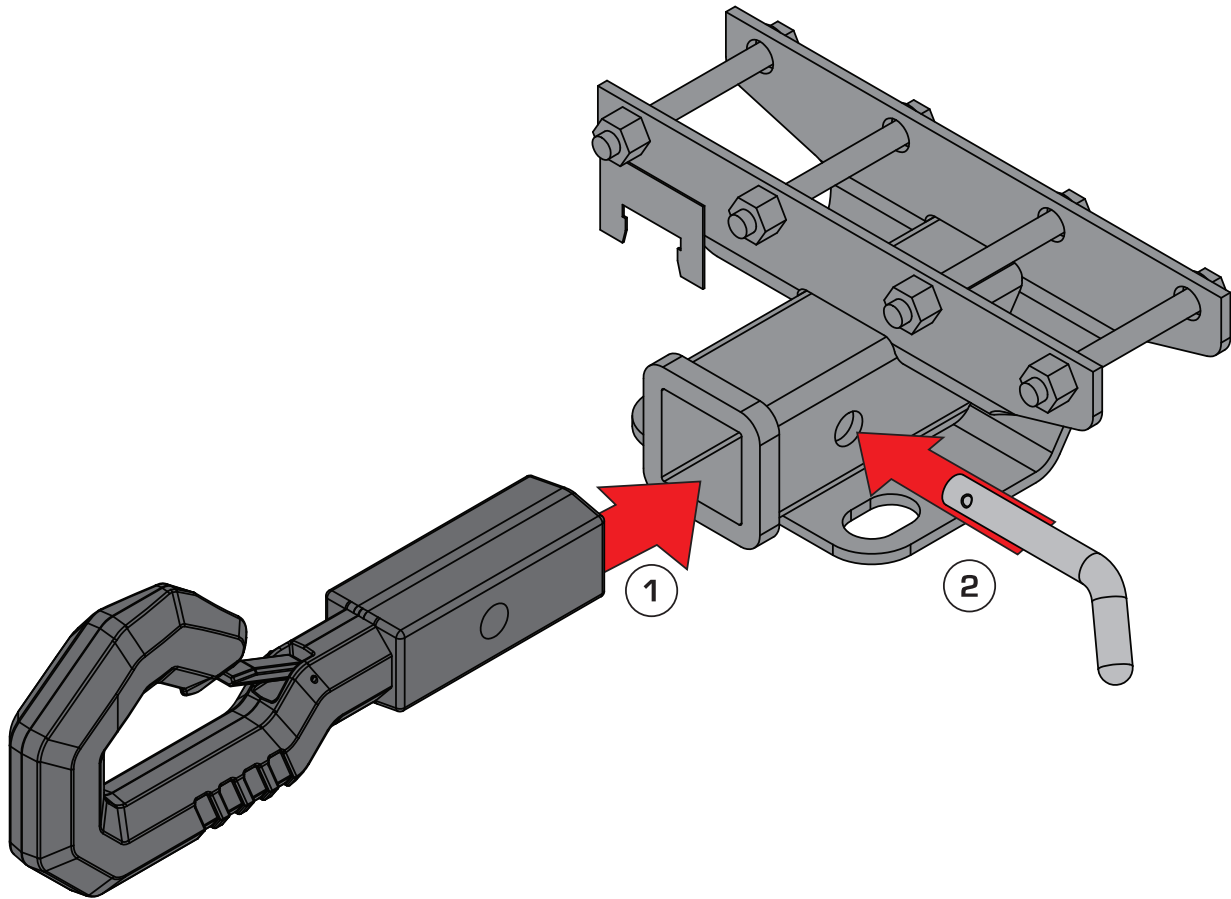
OMIX-ADA, Inc.

460 HORIZON DR. SUITE 400 | SUWANEE, GA 30024 | PHONE: 770-614-6101 | FAX: 770-614-6069 | www.omix-ada.com

Part # 11237.20
11237.21
11237.22
11237.23
11237.24

Giga Hook

1. Insert Giga Hook into 2" receiver hitch
2. Secure Giga Hook to 2" receiver hitch with properly rated hitch pin.



⚠ WARNING TO REDUCE RISK OF SERIOUS INJURY, ACCIDENT, OR PROPERTY DAMAGE:

- **Do not use for towing.** Off-road, self-recovery only. **MAX.** 7,600 lbs working load limit.
- Do not exceed the maximum weight of your **LIGHTEST** rated weight self-recovery component (including vehicle, hitch, ball, Giga Hook, or hitch pin).
- During recovery, avoid "snapping" or other shock loads which may exceed strength of recovery components. Install according to instructions. Inspect Giga Hook and all recovery components frequently. **DO NOT** use and repair/replace if any component is damaged or worn.
- Consult and follow all limitations and warnings in vehicle owner's manual and familiarize yourself with warnings and best practices for off-road recovery. **Keep clear of self-recovery strap and vehicle.**
- Giga Hook is not for use as attachment point for man lift or any other hoisting.

OMIX-ADA® TECHNICAL SUPPORT

PHONE: M-F 8am - 5pm EST 1-800-449-6649 | **TICKET:** www.omixsupport.com

FOR WARRANTY INFORMATION VISIT: www.Omix-Ada.com