



OMIX-ADA, Inc.

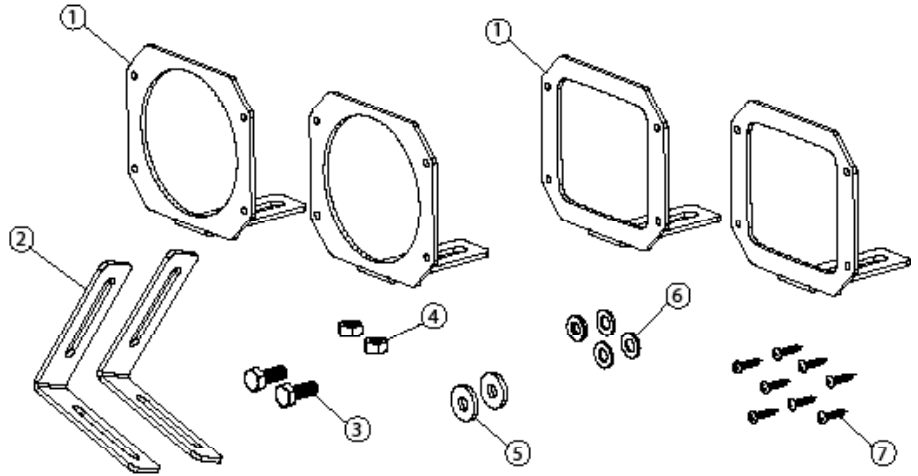


11232.23 : LED Fog Light Brackets - Round  
11232.24 : LED Fog Light Brackets - Square

# LED FOG LIGHT BRACKETS

## Contents:

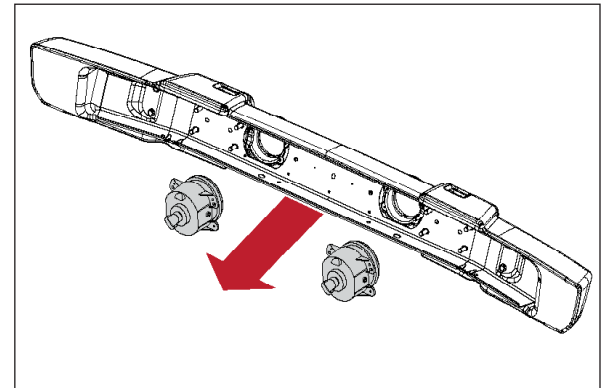
- 1. LED Fog Light Bracket (2)
- 2. L-Bracket (2)
- 3. Hex Bolt (2)
- 4. Locknut (2)
- 5. Spacer (2)
- 6. Flat washer (4)
- 7. Tapping Screw (8)



**NOTICE** LED Fog Light Brackets are compatible with most LED designs; however, we recommend using Rugged Ridge LEDs for best results.

**NOTICE** Minor relocation of vacuum pump may be required for installation on 2012 and newer Jeep Wrangler vehicles.

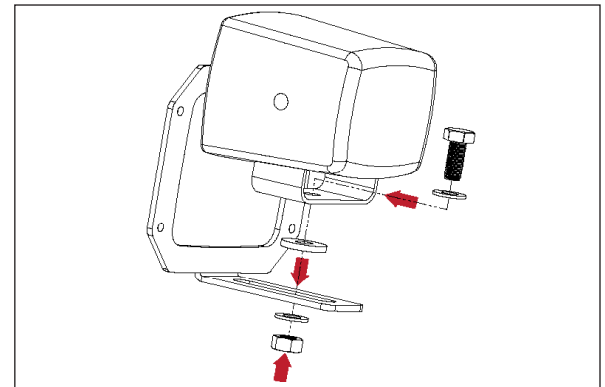
1. Remove Bumper (Refer to the factory manual or Instructions for your aftermarket Bumper)
2. Remove fog lights from bumper.



## For use with Rugged Ridge LEDs

3. Mount LED to LED Fog Light Bracket using supplied hardware and Spacer.
4. Slide LED forward to set desired depth for bumper installation and tighten.

**NOTICE** Spacer is required for mounting Rugged Ridge LEDs and may not be required with other brands. Use spacer as needed.



OMIX-ADA® TECHNICAL SUPPORT

PHONE: M-F 8am - 5pm EST 1-800-449-6649 | EMAIL: techsupport@omix-ada.com

FOR WARRANTY INFORMATION VISIT: [www.Omix-Ada.com](http://www.Omix-Ada.com)



OMIX-ADA, Inc.



11232.23 : LED Fog Light Brackets - Round

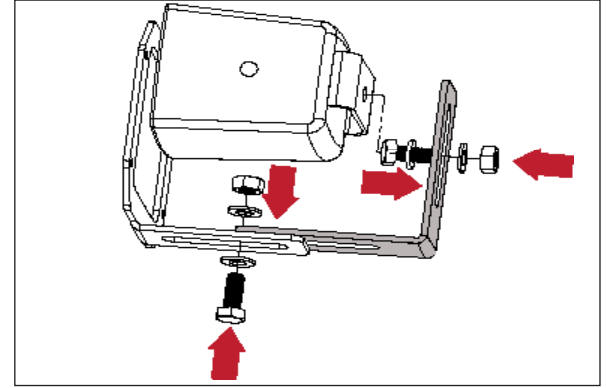
11232.24 : LED Fog Light Brackets - Square

## LED FOG LIGHT BRACKETS

For use with non-Rugged Ridge LEDs

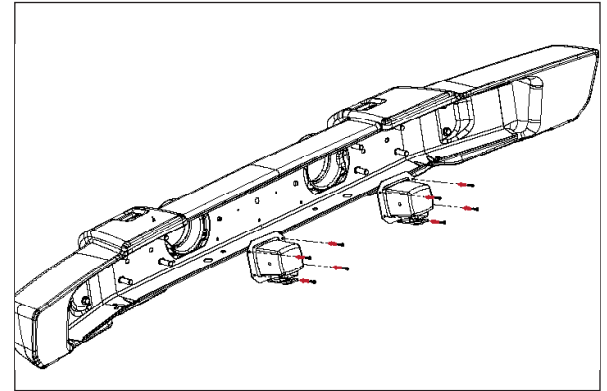
5. Mount LED to L-Bracket
6. Mount L-Bracket to LED Fog Light Bracket.
7. Adjust LED to desired position for bumper installation and tighten.

**NOTICE** Hardware orientation may be reversed for clearance depending on bumper/ light combination.



8. Secure LED Fog Light Brackets to bumper using supplied Tapping Screws. Adjust LED projection angle and tighten.

9. Reinstall bumper.



OMIX-ADA® TECHNICAL SUPPORT

PHONE: M-F 8am - 5pm EST 1-800-449-6649 | EMAIL: [techsupport@omix-ada.com](mailto:techsupport@omix-ada.com)

FOR WARRANTY INFORMATION VISIT: [www.Omix-Ada.com](http://www.Omix-Ada.com)