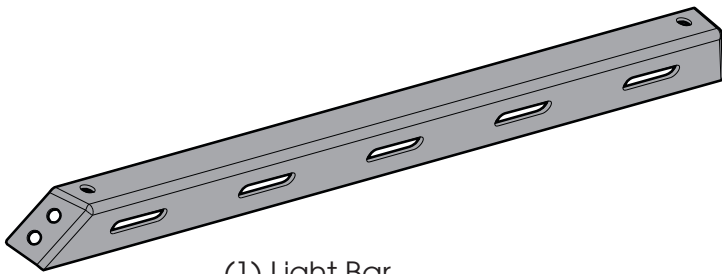
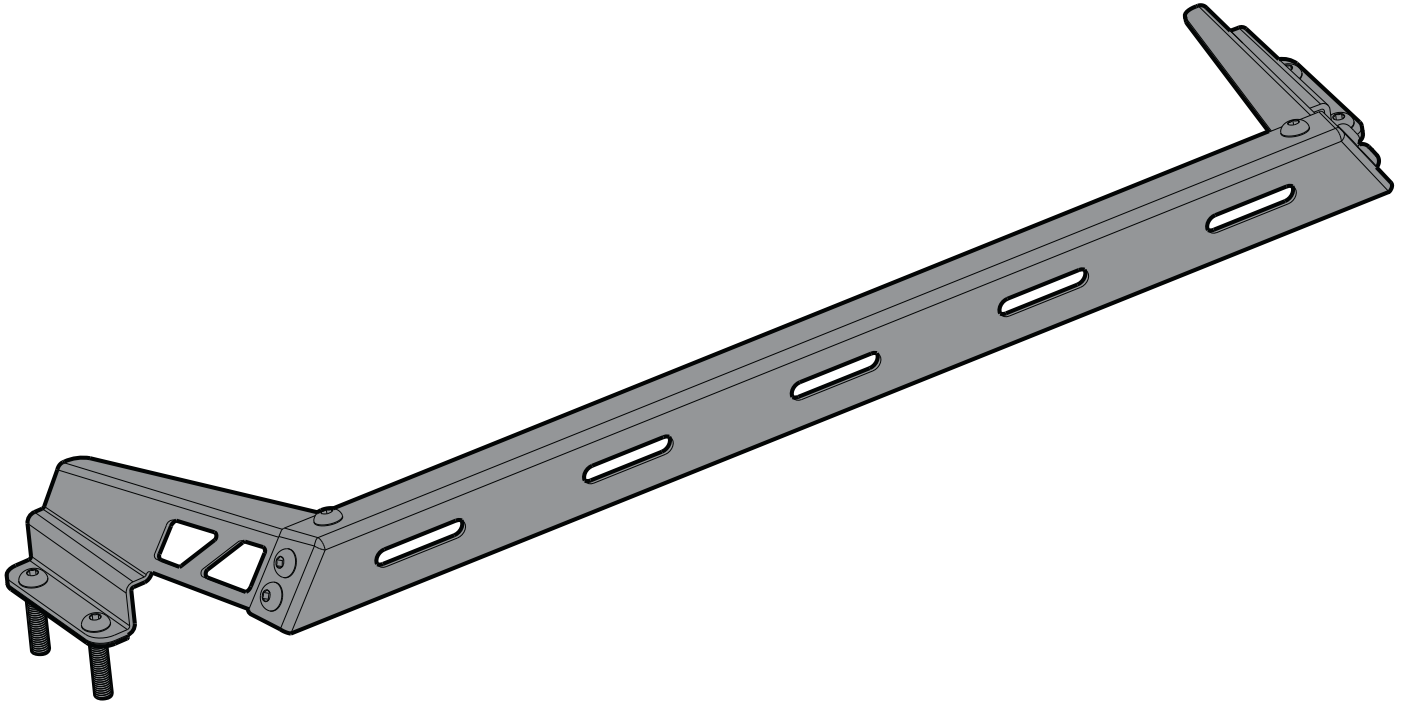




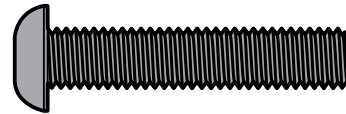
OMIX-ADA, Inc.

11232.03
11232.10

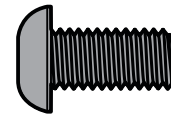
JEEP® JK HOOD MOUNT LIGHT BAR



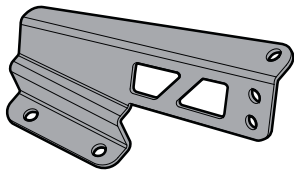
(1) Light Bar



(4) Long Bolts



(6) Short Bolts



(2) Hood Mount Arms L&R



(2) Gaskets

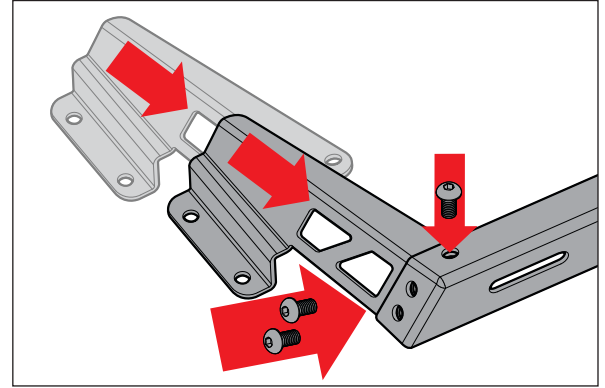
OMIX-ADA® TECHNICAL SUPPORT

PHONE: M-F 8am - 5pm EST 1-800-449-6649 | **EMAIL:** techsupport@omix-ada.com

FOR WARRANTY INFORMATION VISIT: www.Omix-Ada.com

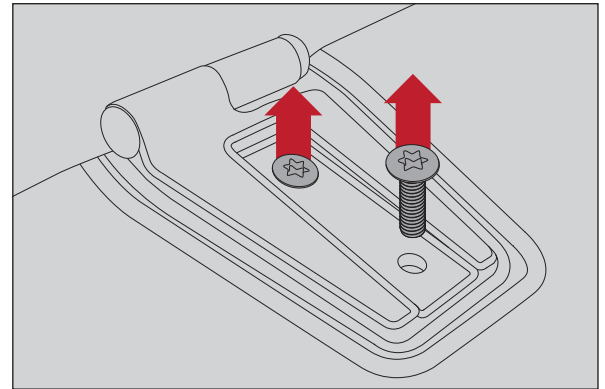
JEEP® JK HOOD MOUNT LIGHT BAR

1. Attach Hood Mount Arms to Light Bar using short bolts.



2. Remove the hood hinge bolts.

NOTICE Do not open/move the hood while hinge bolts are detached to prevent any possible damage or misalignment.



3. Attach Hood Mount Light Bar to hood using long bolts.

NOTICE Be sure the gaskets provided are placed between hood and the Hood Mount Light Bar.

