

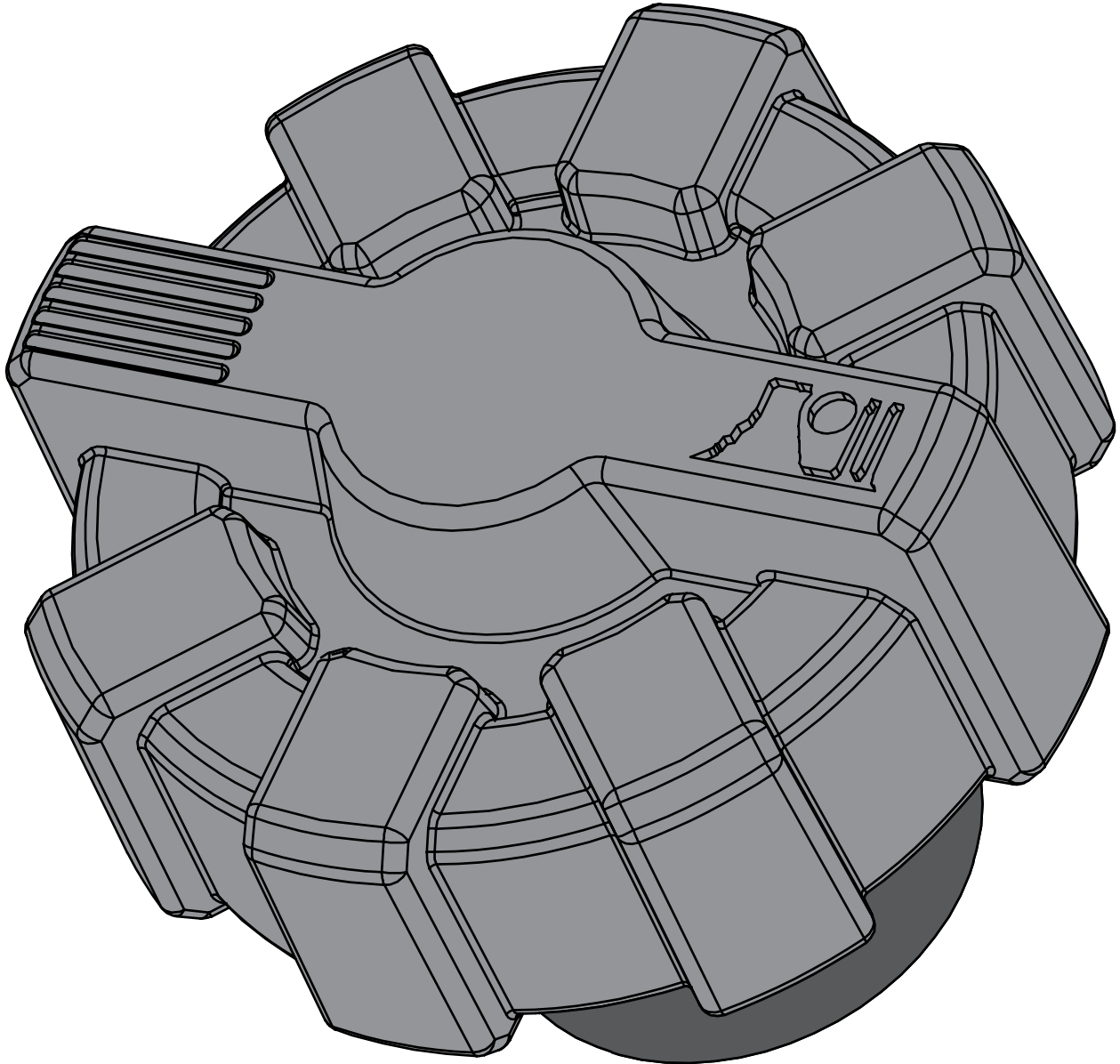


OMIX-ADA, Inc.

Part # 11229.10
11229.11
11229.12
11229.13

460 HORIZON DR. SUITE 400 | SUWANEE, GA 30024 | PHONE: 770-614-6101 | FAX: 770-614-6069 | info@omix-ada.com

Elite Aluminum Fuel Cap



OMIX-ADA® TECHNICAL SUPPORT

PHONE: M-F 8am - 5pm EST 1-800-449-6649 | **EMAIL:** techsupport@omix-ada.com

FOR WARRANTY INFORMATION VISIT: www.Omix-Ada.com

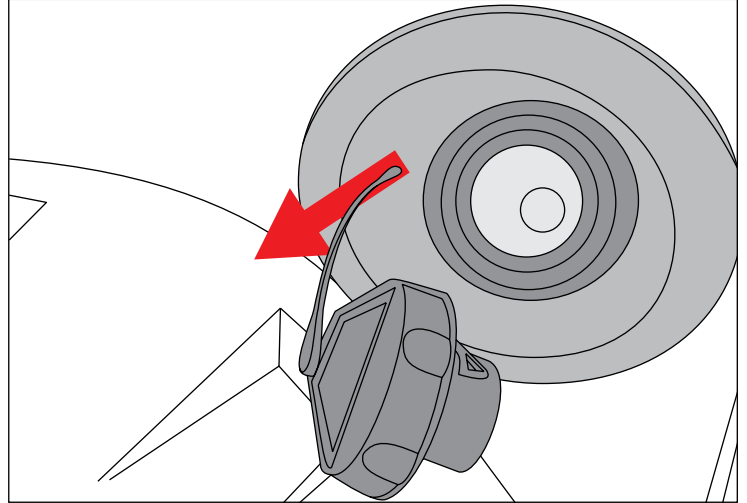


OMIX-ADA, Inc.

460 HORIZON DR. SUITE 400 | SUWANEE, GA 30024 | PHONE: 770-614-6101 | FAX: 770-614-6069 | info@omix-ada.com

Elite Aluminum Fuel Cap

1. Remove stock fuel cap. Pull fuel cap tether from fuel filler housing.



2. Install new Elite Aluminum Fuel Cap. Fully tighten cap by turning until clicking noise is made.

