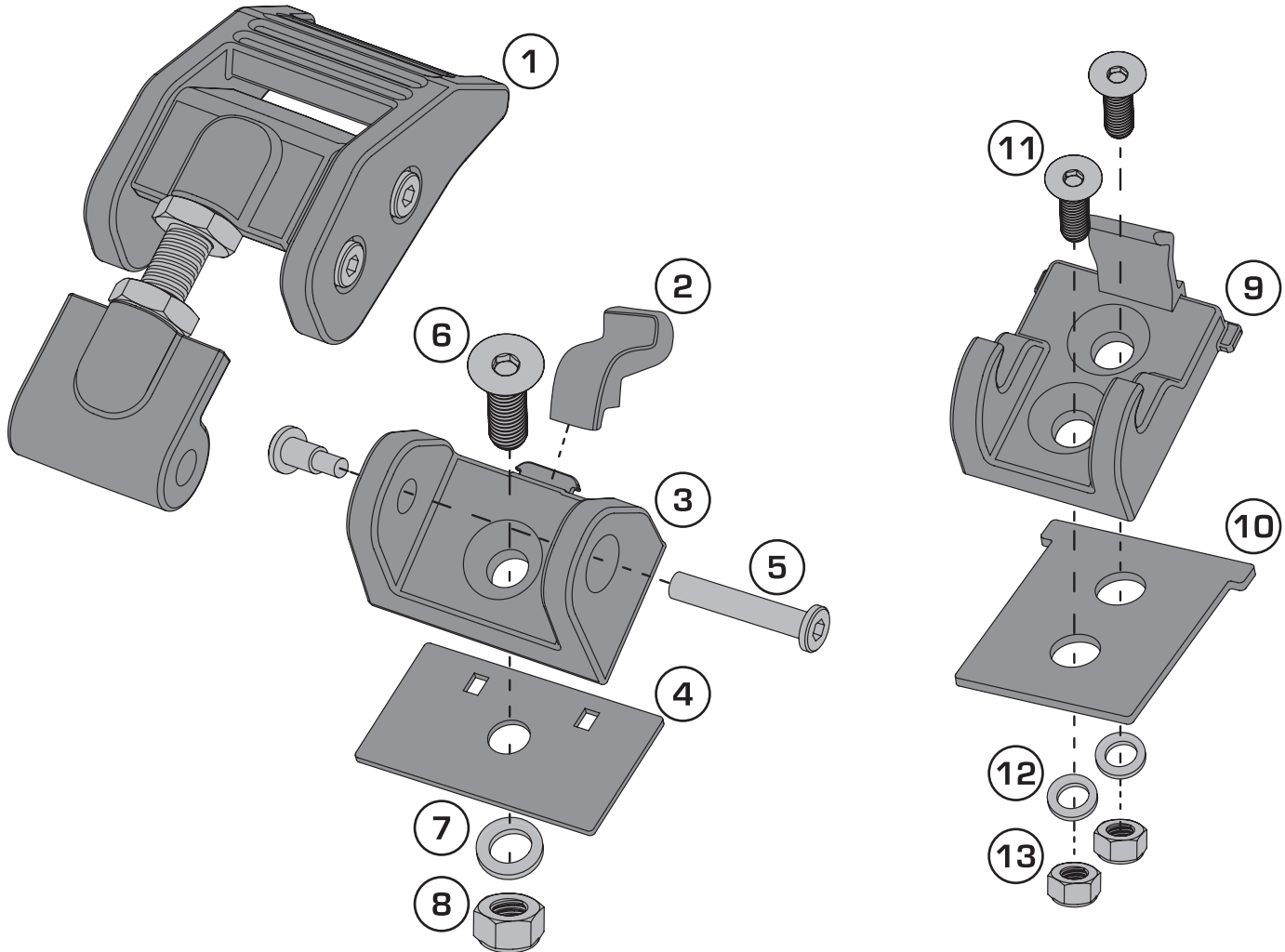


# Aluminum Hood Catch, JL & JT

Patent No. D692290



**CAUTION**

Aluminum Hood Catch is intended only as supplemental to factory supplied latch at front of hood. *To avoid risk of property damage or injury:*

- Always ensure hood is fully secure by factory supplied front latch and side catches.
- Do not modify hood or catches to defeat intended safety of factory supplied front latch and side catch system.

## Components

1. Hood Catch Assembly	(2)	8. M8 Nut	(2)
2. Hood Bumper	(2)	9. Catch	(2)
3. Pivot Base	(2)	10. Catch Gasket	(2)
4. Pivot Base Gasket	(2)	11. M6 Screw	(4)
5. Binding Post	(2)	12. M6 Washer	(4)
6. M8 Screw	(2)	13. M6 Nut	(4)
7. M8 Washer	(2)		

**OMIX-ADA® TECHNICAL SUPPORT**

PHONE: M-F 8am - 5pm EST 1-800-449-6649

FOR WARRANTY OR TECH CONCERNS EMAIL: [webmaster@omixsupport.com](mailto:webmaster@omixsupport.com)



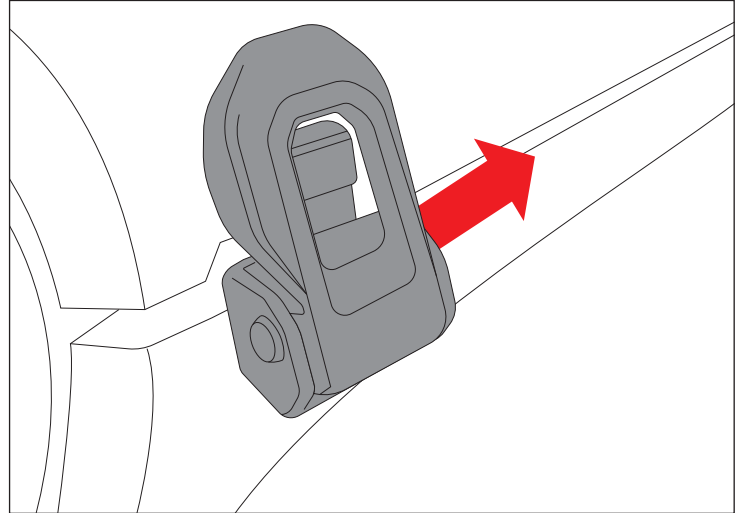
OMIX-ADA, Inc.

460 HORIZON DR. SUITE 400 | SUWANEE, GA 30024 | PHONE: 770-614-6101 | FAX: 844-270-0593 | www.Omix-ADA.com

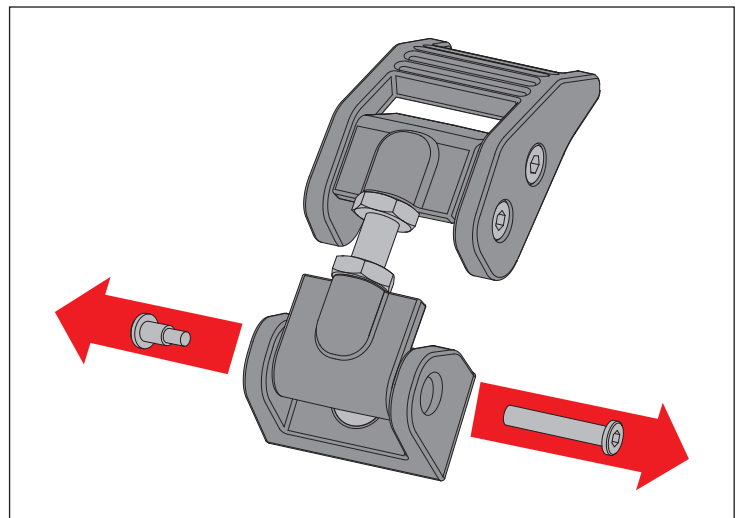
# Aluminum Hood Catch, JL & JT

Patent No. D692290

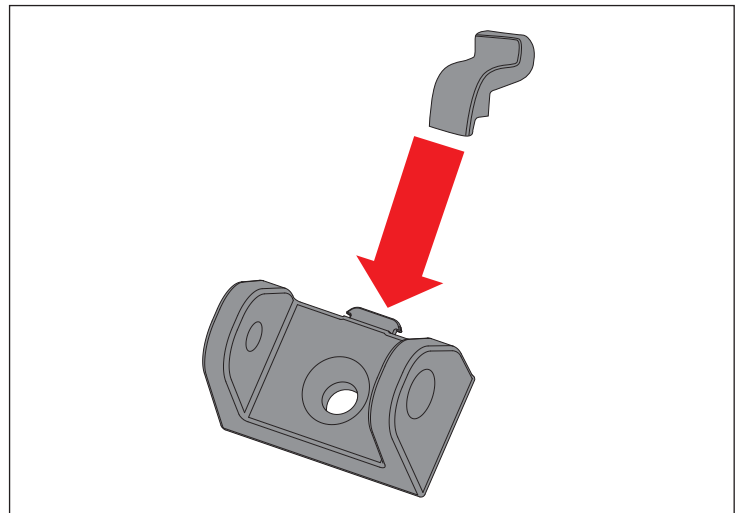
1. Remove factory hood catch.



2. Remove Pivot Base from Aluminum Hood Catch assembly by unscrewing Binding Post.



3. Attach supplied Hood Bumper to Pivot Base.





OMIX-ADA, Inc.

460 HORIZON DR. SUITE 400 | SUWANEE, GA 30024 | PHONE: 770-614-6101 | FAX: 844-270-0593 | www.Omix-ADA.com

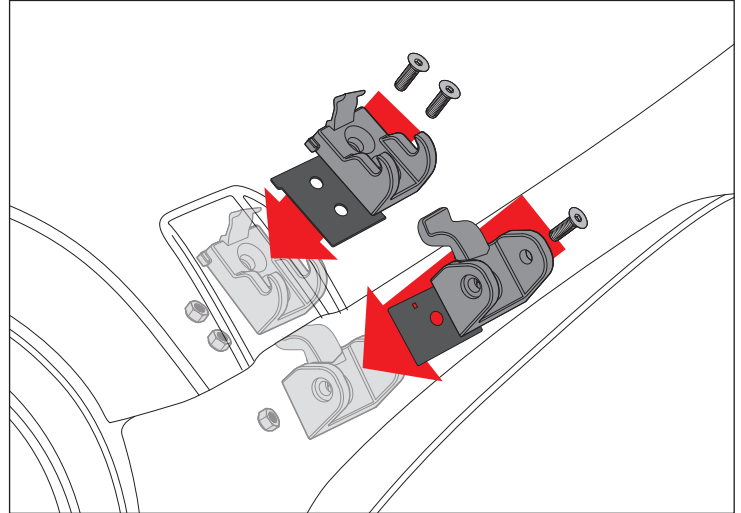
# Aluminum Hood Catch, JL & JT

Patent No. D692290

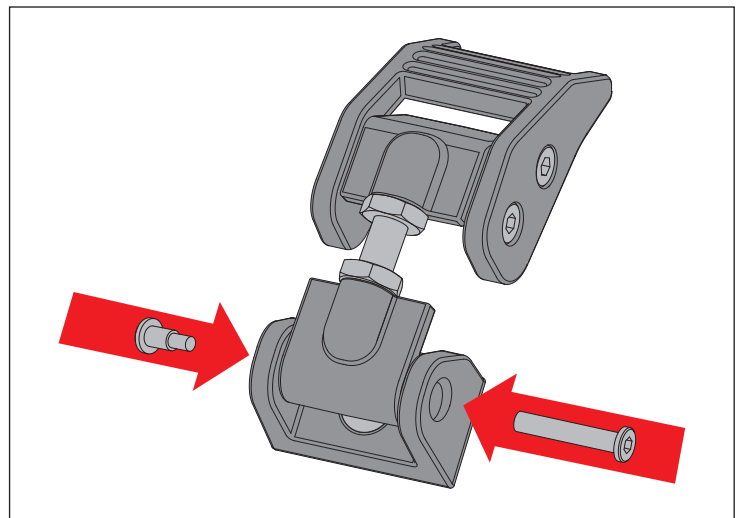
4. Install Catch and Catch Gasket on hood using supplied M6 hardware. Install Pivot Base and Pivot Base Gasket on fender using supplied M8 hardware.

## NOTICE

Ensure safety snap is securely attached to Catch.



5. Re-install Aluminum Hood Catch assembly on Pivot Base using Binding Post removed in Step 2.



6. Adjust Aluminum Hood Catch by first releasing latch. With jam nuts loose, rotate latch clockwise to increase tension, or counter-clockwise to decrease tension. When properly adjusted, hood should contact and slightly compress Hood Bumper.

## NOTICE

Ensure adjustment rod has minimum of 3 threads engaged on each end. Operating vehicle with inadequate thread engagement could result in damage to vehicle.

