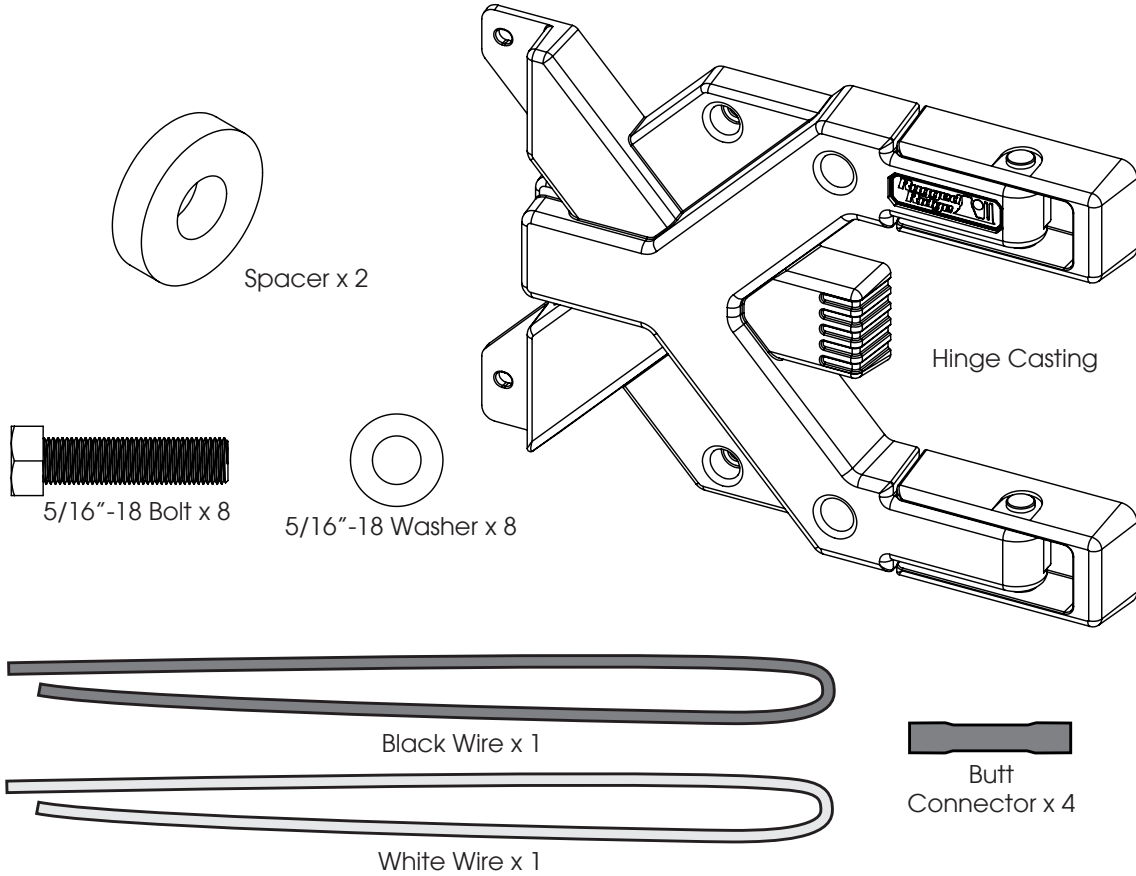
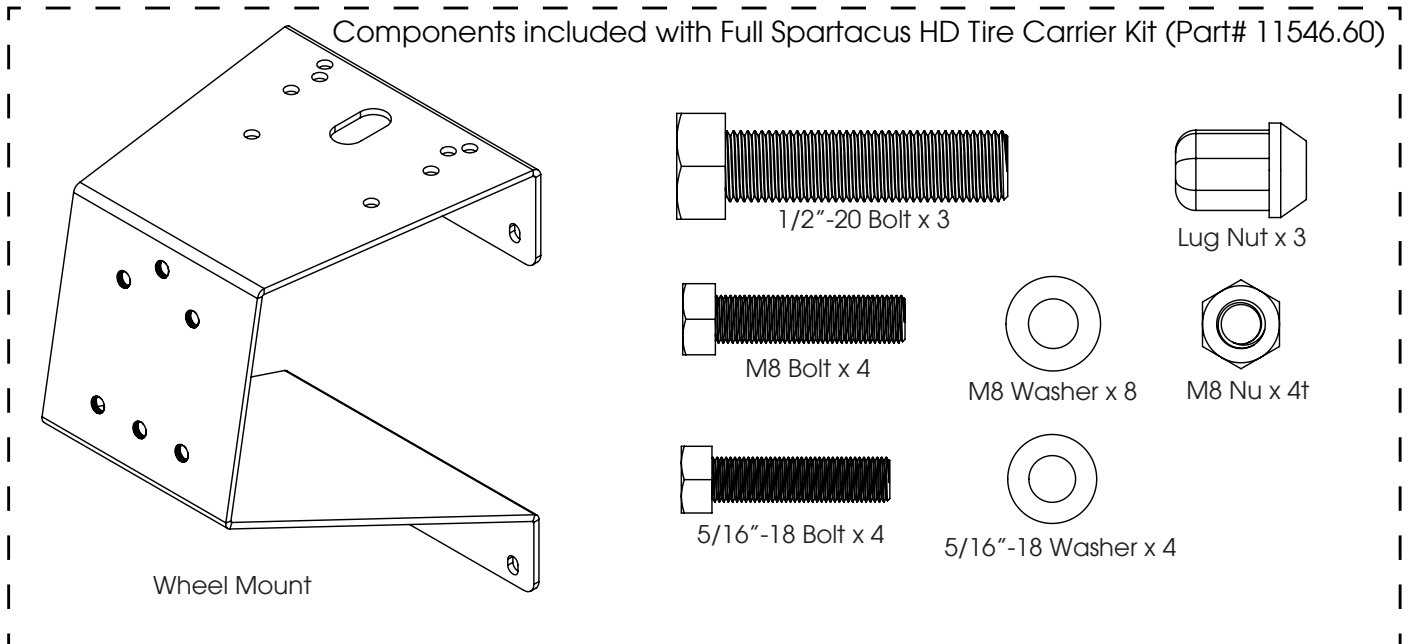


Spartacus HD Tire Carrier, TJ 97-06



Components included with Full Spartacus HD Tire Carrier Kit (Part# 11546.60)



OMIX-ADA® TECHNICAL SUPPORT

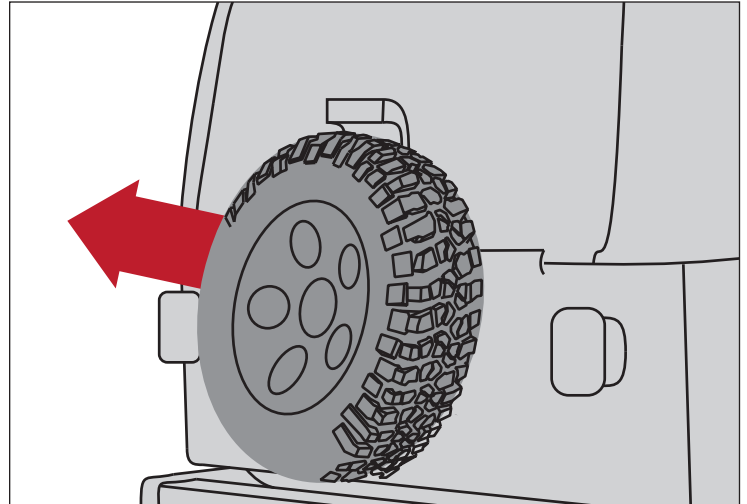
PHONE: M-F 8am - 5pm EST 1-800-449-6649 | EMAIL: techsupport@omix-ada.com

FOR WARRANTY INFORMATION VISIT: www.Omix-Ada.com

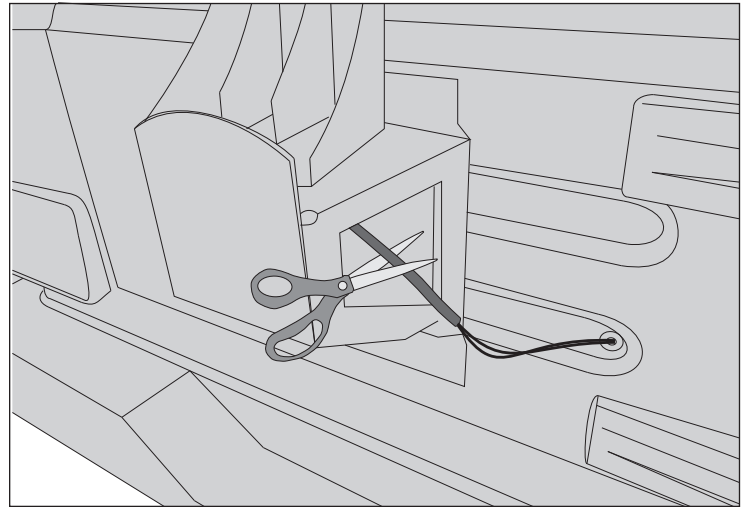
Spartacus HD Tire Carrier, TJ 97-06

1. Remove spare tire.

CAUTION Have another person help lift tire off of carrier.

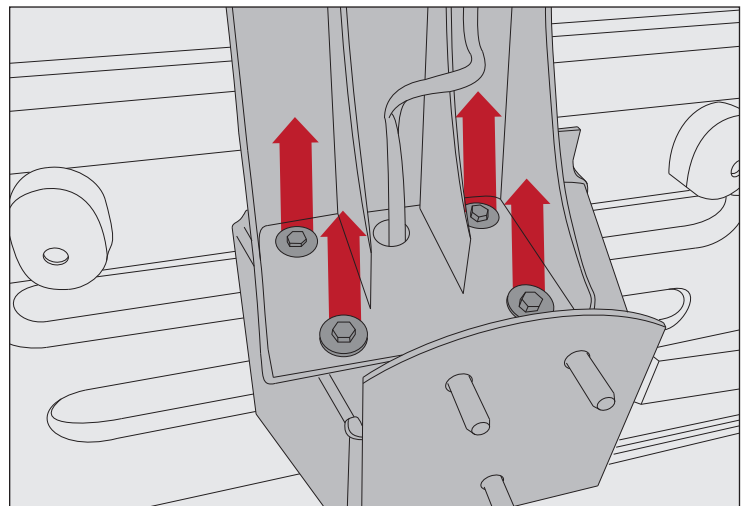


2. Cut third brake light wires and wire loom, near the base of third brake light housing.



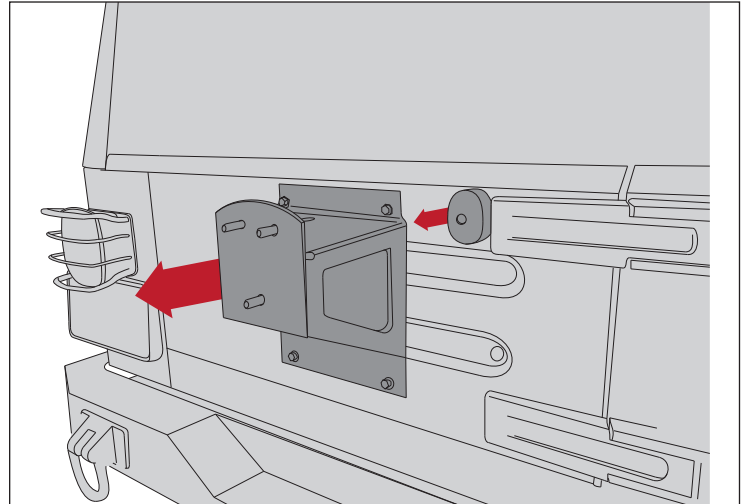
NOTICE Skip to step 4 if using stock spare tire carrier.

3. Remove third brake light housing from OE spare tire carrier.



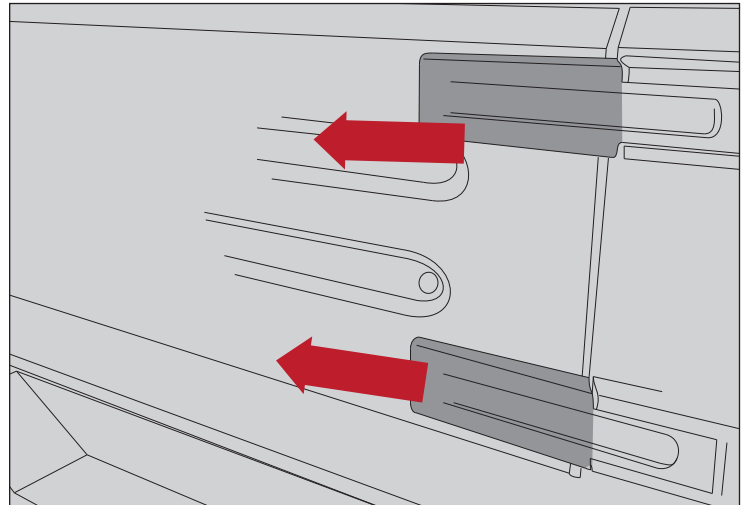
Spartacus HD Tire Carrier, TJ 97-06

4. Using 1/2" socket, remove OE spare tire carrier. Using T30 Torx bit, remove Rubber Bumper.

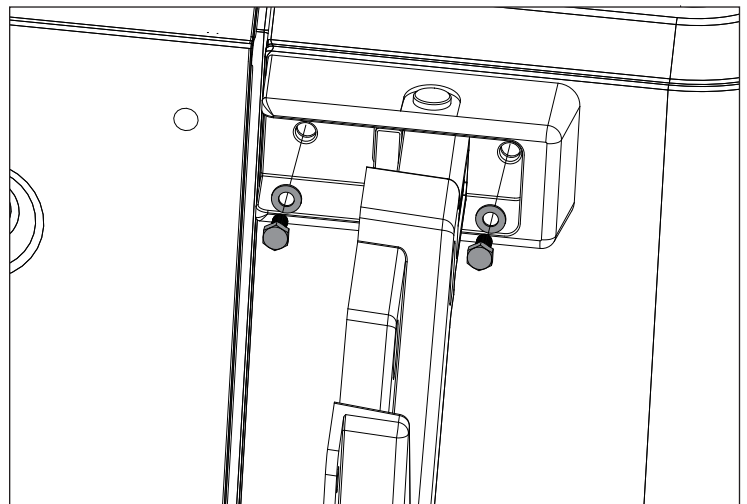


5. Remove stock tailgate hinge plastic covers. Remove stock tailgate hinges.

NOTICE Keep tailgate closed from this step until Step 10.



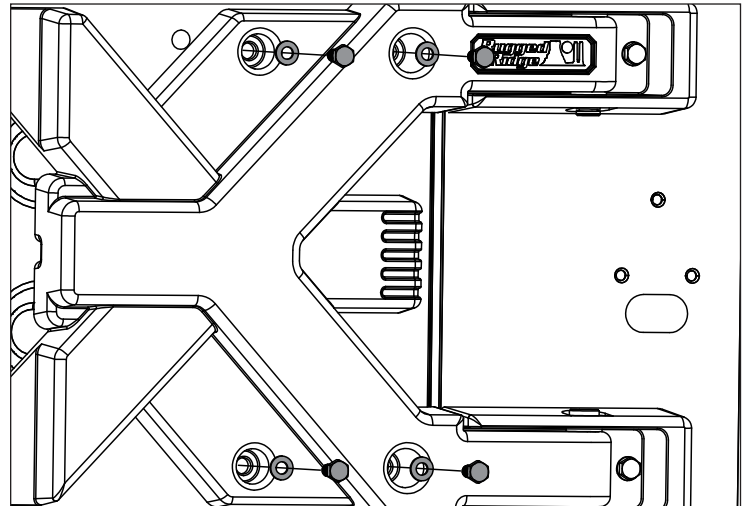
6. Attach HD Hinge Casting to corner panel using supplied 5/16" hardware.



Spartacus HD Tire Carrier, TJ 97-06

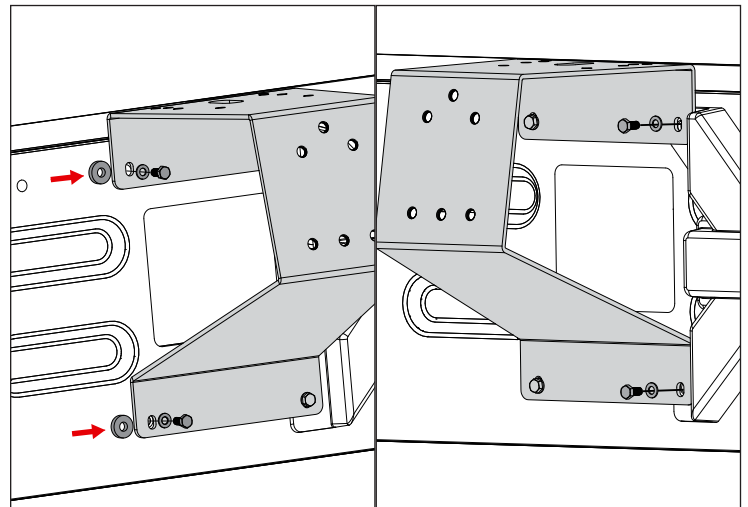
7. Attach HD Hinge Casting to tailgate, using supplied 5/16" hardware. Feed third brake light wires through back side of HD Hinge Casting.

NOTICE Be careful not to pinch third brake light wires.



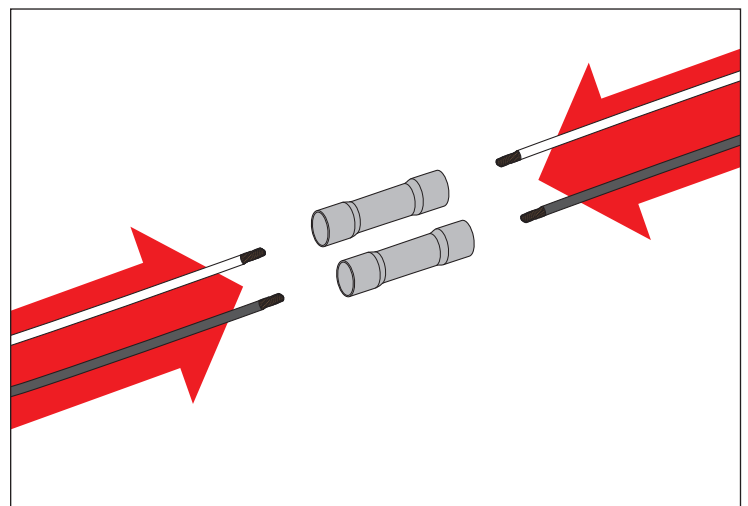
8.
Using Rugged Ridge HD Wheel Mount (part #11546.62):
Using supplied 5/16" hardware and spacers, attach Wheel Mount to tailgate. Tighten all bolts.

Using stock spare tire carrier:
Reusing stock hardware and supplied spacers, attach stock spare tire carrier to tailgate. Tighten all bolts.



9. Using wire cutters/crimpers, splice in additional wire length to third brake light wiring.

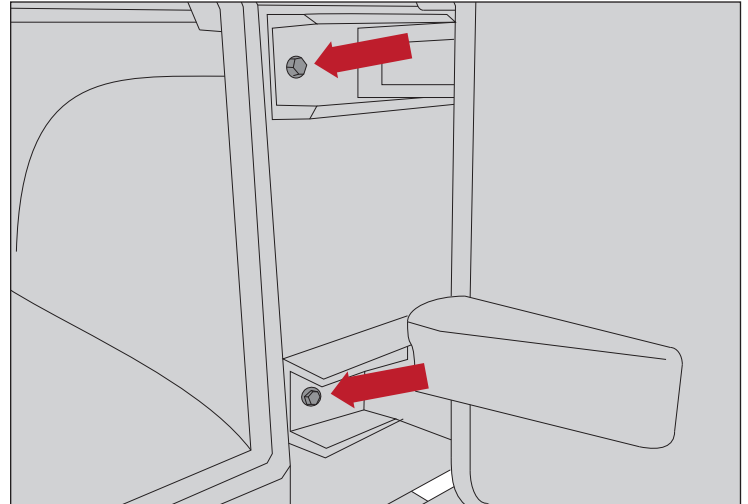
NOTICE For driving in wet or winter areas, protect connection with di-electric grease and weather resistant shrink tubing.



Spartacus HD Tire Carrier, TJ 97-06

10. Check fitment of tailgate by opening and closing tailgate. Make any adjustments as needed. Tighten two 5/16" bolts covered by HD Hinge Casting.

11. Press brake pedal to check brake light functionality.



12. Re-install spare tire and torque lug nuts to 80ft•lb.

CAUTION Have another person help lift the tire onto tire carrier.

WARNING Failure to tighten lug nuts to proper torque specification could result in serious injury or property damage.

