



Part # 11230.13  
11230.14  
11230.17

OMIX-ADA, Inc.

460 HORIZON DR. SUITE 400 | SUWANEE, GA 30024 | PHONE: 770-614-6101 | FAX: 770-614-6069 | info@omix-ada.com

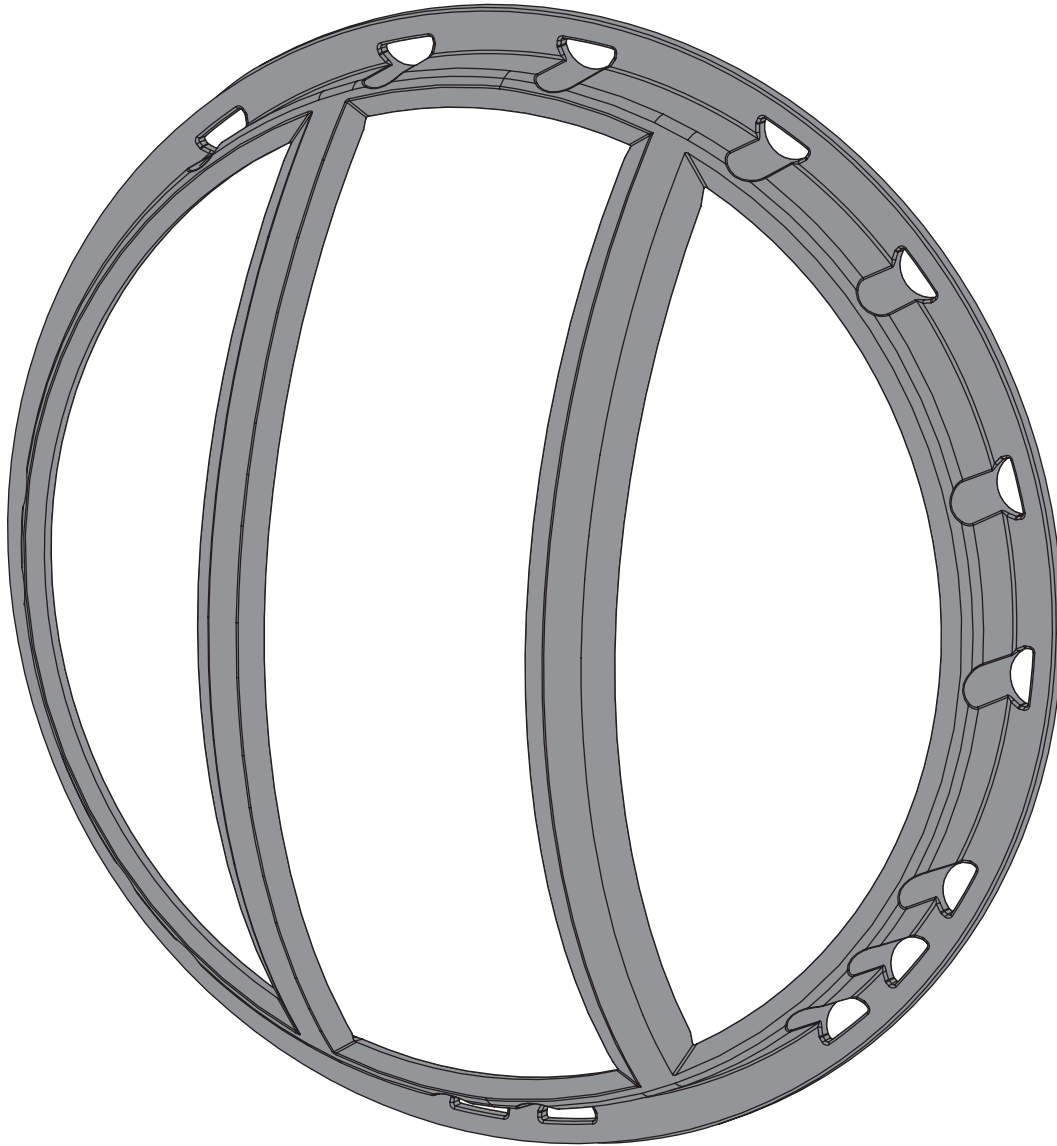
# Pivitol Headlight Guard PATENT PENDING

## CONTENTS:

- Pivitol Headlight Guard (2)

## TOOLS REQUIRED:

- T15 Torx Screwdriver



## NOTICE

Careful attention is required to this instruction or operation, but does not generally relate to personal injury. Damage to your product or other property may result if you do not follow instructions.

### OMIX-ADA® TECHNICAL SUPPORT

PHONE: M-F 8am - 5pm EST 1-800-449-6649 | EMAIL: techsupport@omix-ada.com

FOR WARRANTY INFORMATION VISIT: [www.Omix-Ada.com](http://www.Omix-Ada.com)



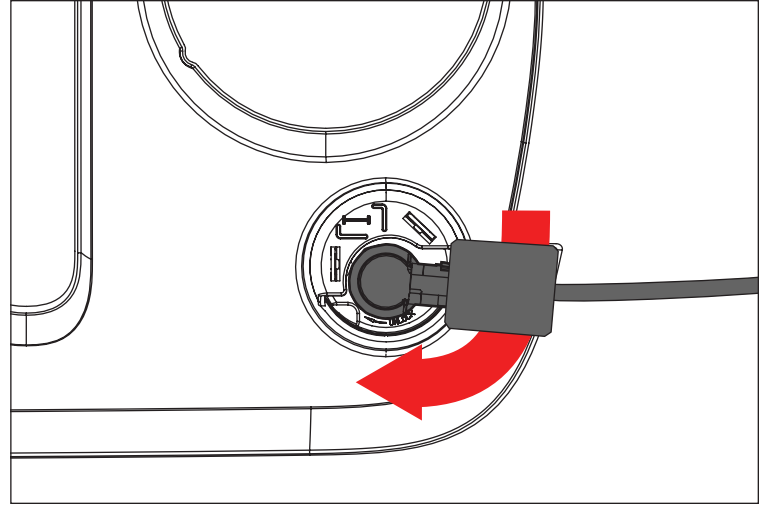
OMIX-ADA, Inc.



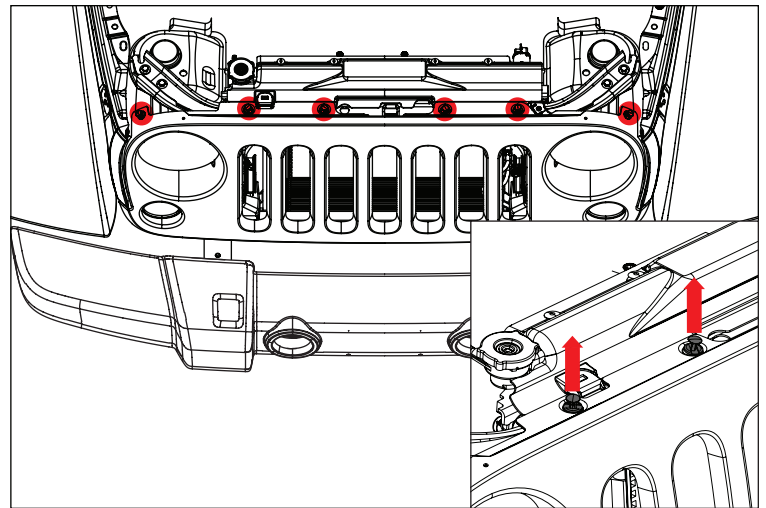
460 HORIZON DR. SUITE 400 | SUWANEE, GA 30024 | PHONE: 770-614-6101 | FAX: 770-614-6069 | info@omix-ada.com

## Pivotal Headlight Guard PATENT PENDING

1. Disconnect factory turn signal from behind grille. Rotate bulb assembly down and towards center of vehicle. Pull bulb assembly out of turn signal housing.



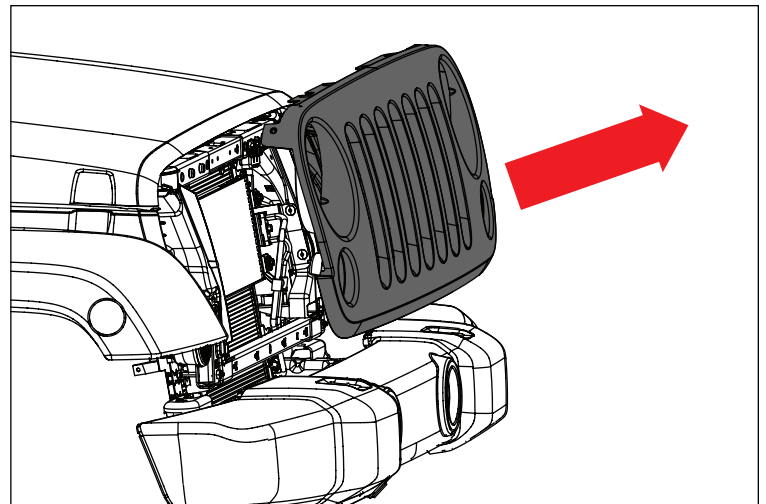
2. Raise hood and remove (6) plastic pop rivets. First pull up on center pin to disengage rivets, then pull entire pop rivet up and out of grille.



3. Pull bottom of grille away from vehicle to disengage metal clips on bottom rear of grille.

### NOTICE

Removal of winch or other bumper mounted accessories prior to removing grille may be necessary. Use caution to prevent damaging finish of grille.



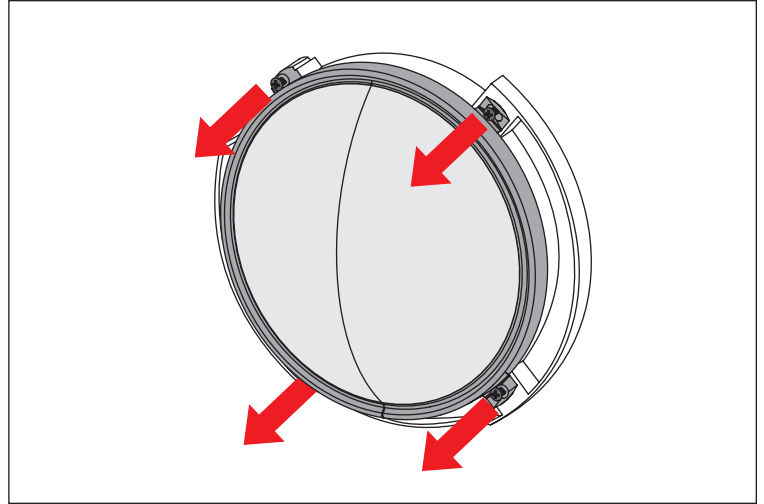


OMIX-ADA, Inc.

460 HORIZON DR. SUITE 400 | SUWANEE, GA 30024 | PHONE: 770-614-6101 | FAX: 770-614-6069 | info@omix-ada.com

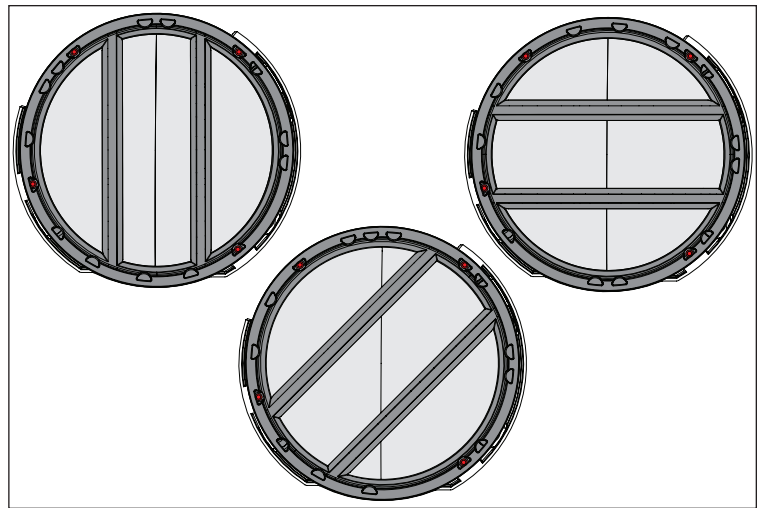
## Pivitol Headlight Guard PATENT PENDING

4. Remove factory headlight retaining ring using T15 Torx Screwdriver. Do not discard factory screws.



5. Install Pivitol Headlight Guard using factory screws in one of three configurations, vertical, horizontal, or diagonal. Each guard will work for both headlights.

**Note:** Image shown using left side headlight.



6. Reinstall grille and turn signal bulbs.

### NOTICE

If removed, reinstall winch or other bumper mounted accessories.

